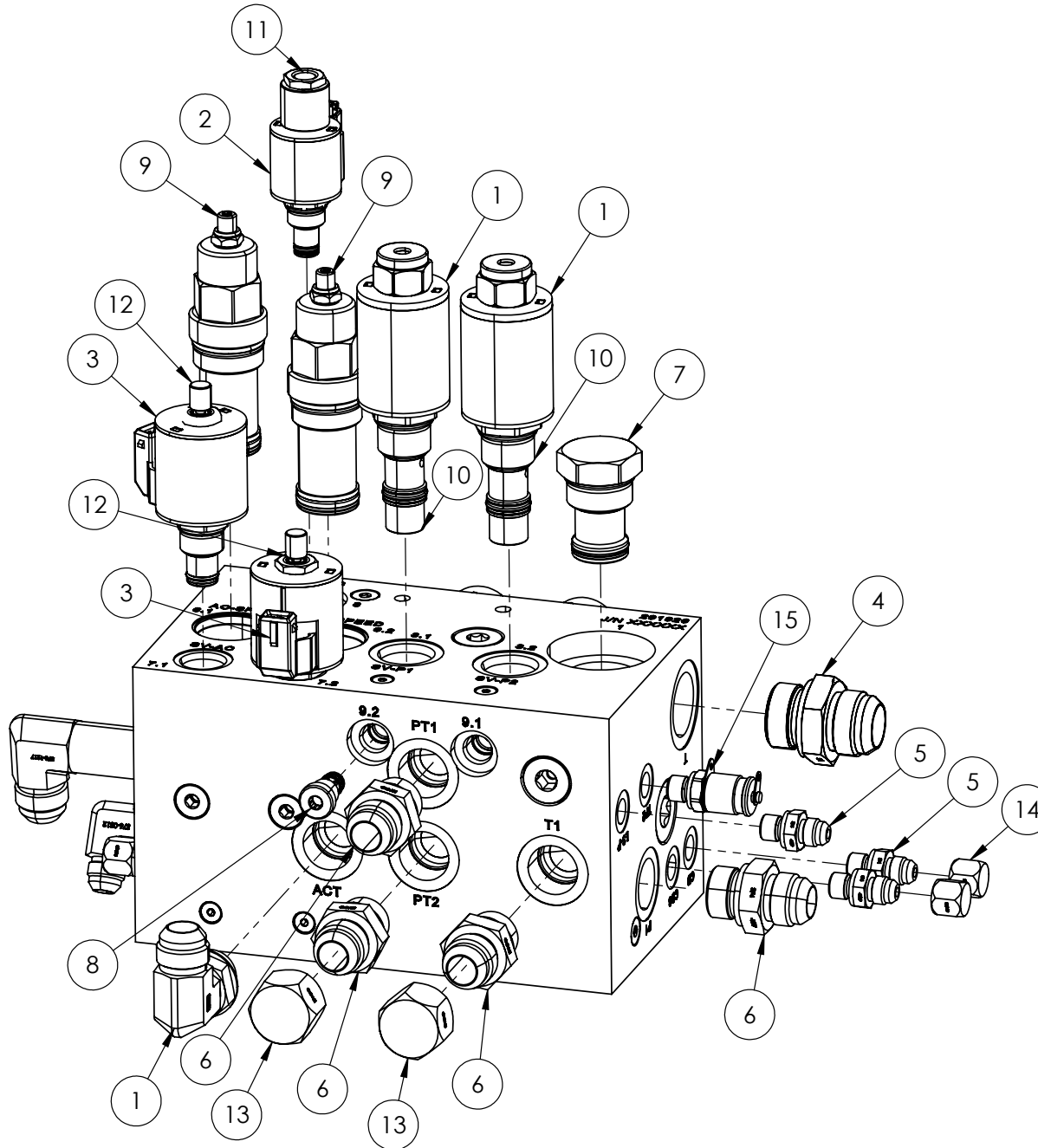




10 - Hydraulic & Pneumatics

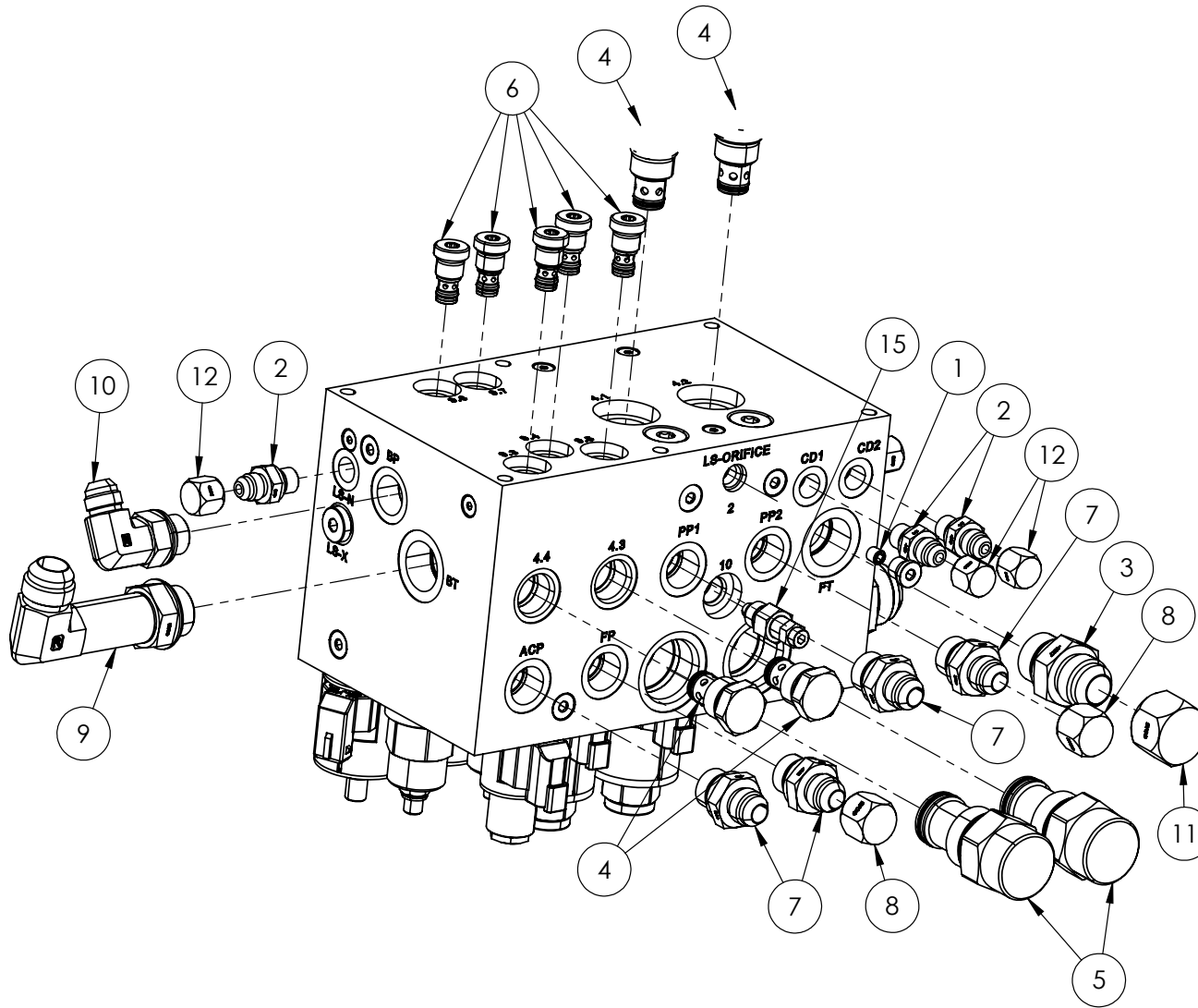
Hydraulic Manifold Assy, Chassis Control



IF DESCRIPTION PREFIX IS ASSEMBLY DRAWING ONLY OR PRODUCTION DRAWING ONLY THE ITEM IS NOT FOR SALE			
ITEM	PART NUMBER	DESCRIPTION	QTY
1	GA3000578	COIL, 12V DC, OILPATH, 4303212	2
2	GA3000579	COIL, 12V DC, OILPATH, 4303612	1
3	GA3000577	COIL, 12V DC, OILPATH, 4303712	2
4	GA3500590	HYDRAULIC ADAPTOR NIPPLE, 1" BSPP X 1 5/16" JIC, S74-1621	1
5	GA3500544	HYDRAULIC ADAPTOR NIPPLE, 1/4" BSP O-RING X 9/16" JIC, S74-0409	3
6	GA3500711	HYDRAULIC ADAPTOR NIPPLE, 3/4" BSP O-RING X 1 1/16" JIC, S74-1217	5
7	GA3501192	HYDRAULIC CARTRIDGE, CHECK VALVE, OILPATH, CV16-20-0-N-5	1
	GA3500900	SEAL KIT, OILPATH, SK16-2N-T	-
8	GA3500914	HYDRAULIC CARTRIDGE, CHECK VALVE, OILPATH, HVC06-20-0-U-05	6
	GA3500915	SEAL KIT, OILPATH, SK06-2U-O	-
9	GA3501195	HYDRAULIC CARTRIDGE, FLOW CONTROL, OILPATH, VCF-06-A	2
10	GA3501193	HYDRAULIC CARTRIDGE, PROPORTIONAL VALVE, OILPATH, PV72-20AG-0-N-12ER	2
	GA3501194	SEAL KIT, OILPATH, SK-12-2N-M	-
11	GA3501197	HYDRAULIC CARTRIDGE, SOLENOID VALVE, DCV, OILPATH, SV08-28-0-N-12ER	1
	GA3500883	SEAL KIT, OILPATH, SK08-2N-M	-
12	GA3501196	HYDRAULIC CARTRIDGE, SOLENOID VALVE, DCV, OILPATH, SV10-20M-0-N-12ER	2
	GA3500910	SEAL KIT, OILPATH, SK10-2N-T	-
13	GA3500795	HYDRAULIC ADAPTOR, CAP, 1 1/16" JIC FEMALE, S65-17	2
14	GA3500793	HYDRAULIC ADAPTOR, CAP, 9/16" JIC FEMALE, S65-09	2
15	GA3500133	HYDRAULIC COUPLING, EASY TEST POINT, 1/4" BSPP	1
22	GA5026195	VALVE, NEEDLE, VTV-14M, OILPATH	1
GA3500938		HYDRAULIC MANIFOLD BLOCK, BOLT ON, OILPATH, 691926	REV 01.C

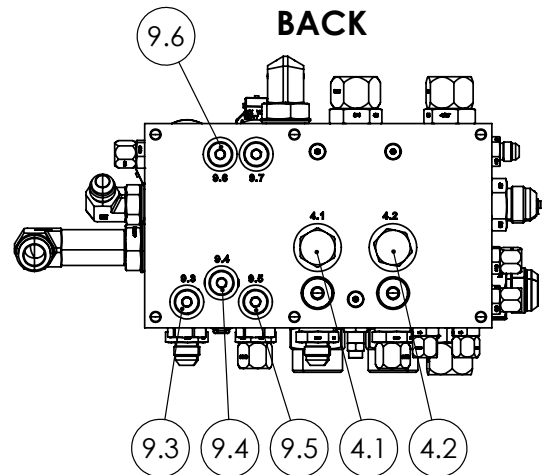
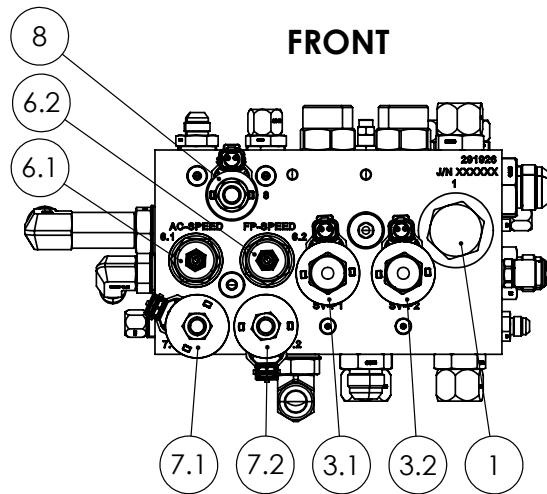
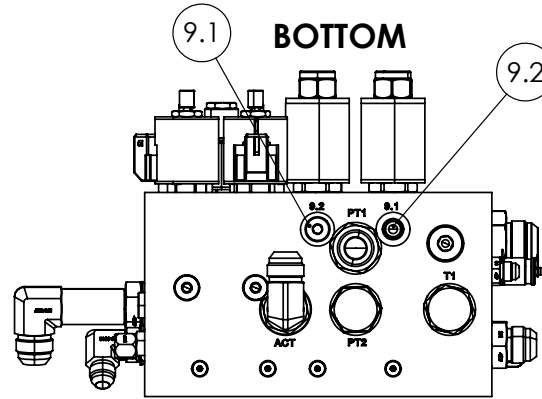
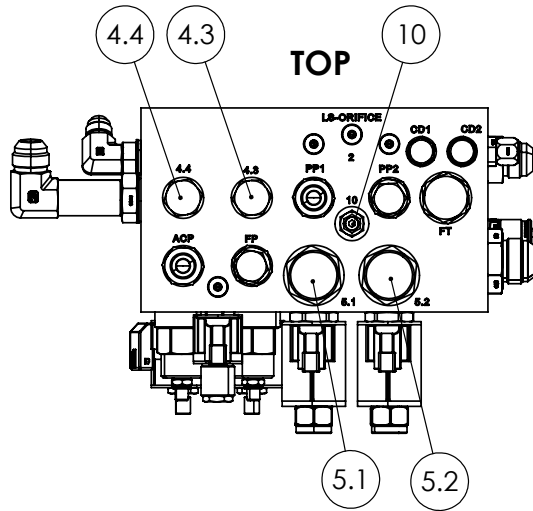


Hydraulic Manifold Assy, Chassis Control



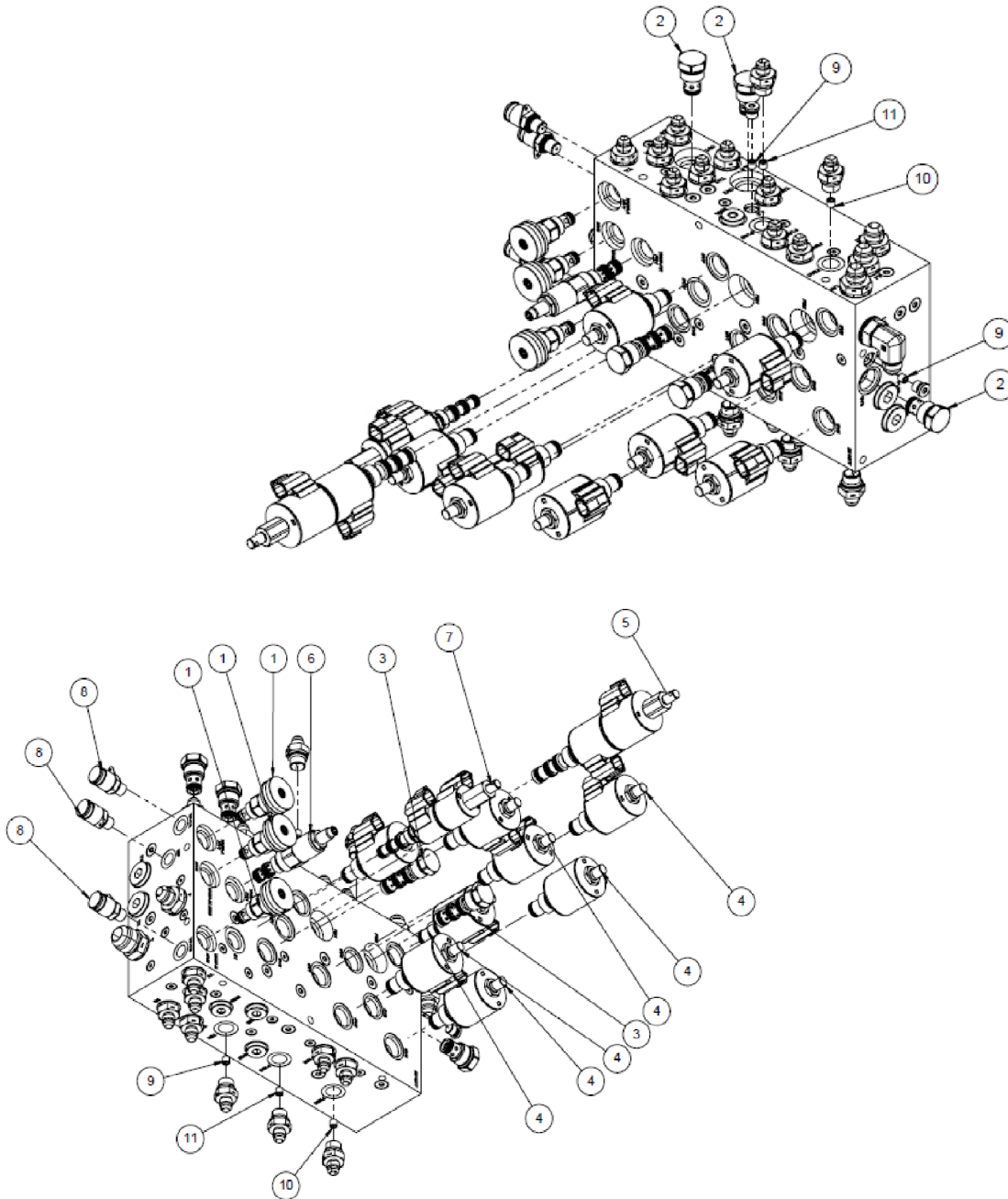
IF DESCRIPTION PREFIX IS ASSEMBLY DRAWING ONLY OR PRODUCTION DRAWING ONLY THE ITEM IS NOT FOR SALE			
ITEM	PART NUMBER	DESCRIPTION	QTY
1	GA5047691	GRUB SCREW, PLUG, 1/16 NPT	1
2	GA3500544	HYDRAULIC ADAPTOR NIPPLE, 1/4" BSP O-RING X 9/16" JIC, S74-0409	3
3	GA3500711	HYDRAULIC ADAPTOR NIPPLE, 3/4" BSP O-RING X 1 1/16" JIC, S74-1217	4
4	GA3500884	HYDRAULIC CARTRIDGE, CHECK VALVE, OILPATH, CV10-20-0-N-05	4
5	GA3500899	HYDRAULIC CARTRIDGE, CHECK VALVE, OILPATH, CV16-20T-0-N-150	2
6	GA3500914	HYDRAULIC CARTRIDGE, CHECK VALVE, OILPATH, HVC06-20-0-U-05	6
7	GA3500303	HYDRAULIC ADAPTER, NIPPLE, 1/2" BSPP O-RING MALE X 3/4" JIC MALE, S74-0812	4
8	GA3500794	HYDRAULIC ADAPTOR, CAP, 3/4" JIC FEMALE, S65-12	2
9	GA5047691	HYDRAULIC ADAPTOR, ELBOW, 90 DEGREE, EXTENSION, 1 1/16" JIC MALE X 3/4" BSPP MALE O-RING, S70-1217	1
10	GA3500722	HYDRAULIC ADAPTOR, ELBOW, 90 DEGREE, 3/4" JIC MALE X 1/2" BSPP MALE O-RING, S76-0812	1
11	GA3500795	HYDRAULIC ADAPTOR, CAP, 1 1/16" JIC FEMALE, S65-17	3
12	GA3500793	HYDRAULIC ADAPTOR, CAP, 9/16" JIC FEMALE, S65-09	3
14	GA3500133	HYDRAULIC COUPLING, EASY TEST POINT, 1/4" BSPP	1
15	GA5026195	VALVE, NEEDLE, VTV-14M, OILPATH	1
GA3500938		HYDRAULIC MANIFOLD BLOCK, BOLT ON, OILPATH, 691926	REV 01.C

Hydraulic Manifold, Chassis Control, Function Table



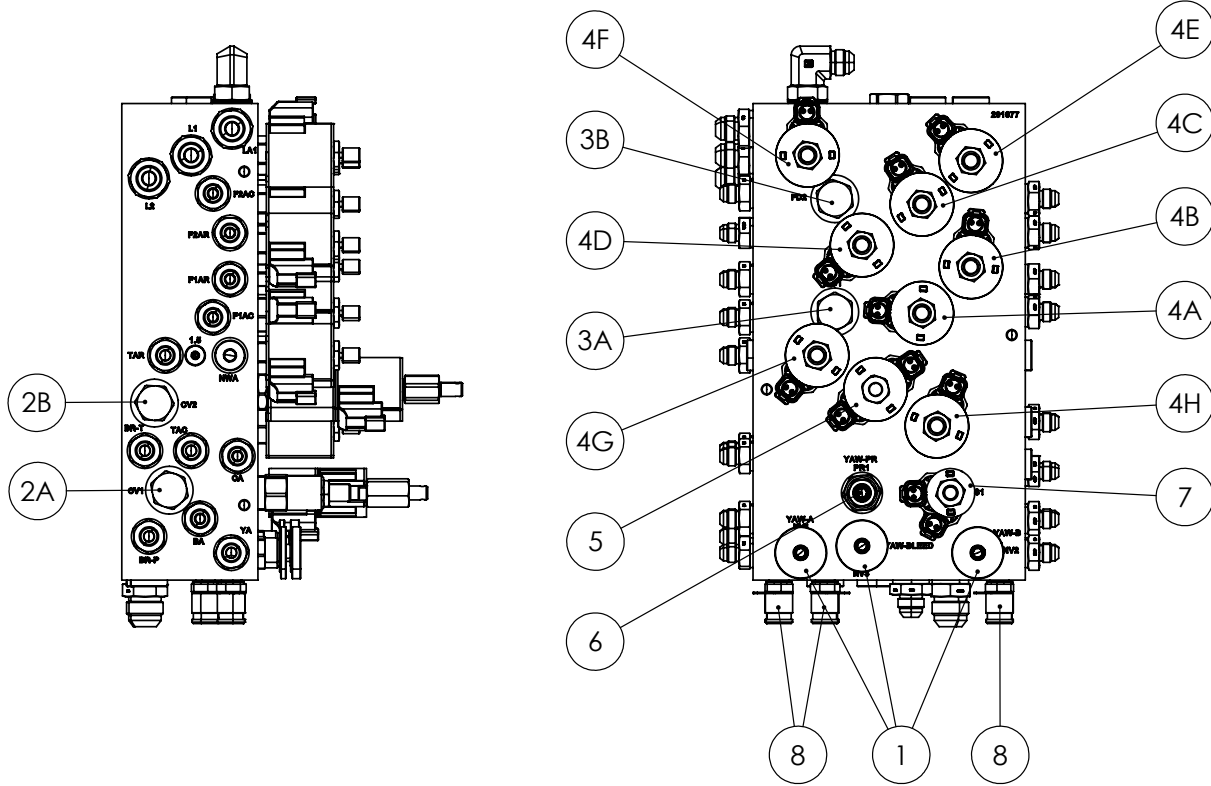
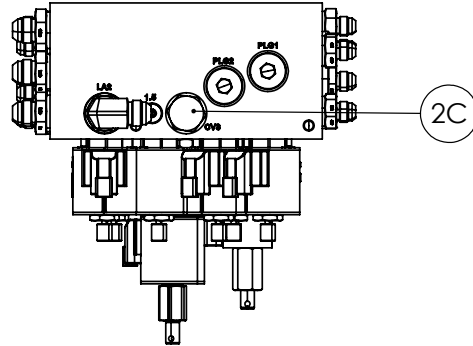
FUNCTION TABLE	
1	1 - TANK RETURN CHECK VALVE
3.1	SV P1 - SPRAY PUMP PROPORTIONAL SOLENOID VALVE
3.2	SV P2 - AGITATOR PUMP PROPORTIONAL SOLENOID VALVE
4.1	4.1 - SPRAY PUMP OVER-RUN CHECK VALVE
4.2	4.2 - AGITATOR PUMP OVER-RUN CHECK VALVE
4.3	4.3 - COMPRESSOR OVER-RUN CHECK VALVE
4.4	4.4 - FILL PUMP OVER-RUN CHECK VALVE
5.1	5.1 - SPRAY PUMP PRESSURE LINE CHECK VALVE
5.2	5.2 - AGITATOR PUMP PRESSURE LINE CHECK VALVE
6.1	6.1 - AIR COMPRESSOR SPEED CONTROL
6.2	6.2 - FILL PUMP SPEED CONTROL
7.1	SV AC - COMPRESSOR SOLENOID VALVE
7.2	SV FP - FILL PUMP SOLENOID VALVE
8	SV LS - LOAD SENSE SOLENOID VALVE
9.1	9.1 - SPRAY PUMP LOAD SENSE CHECK VALVE
9.2	9.2 - AGITATOR PUMP LOAD SENSE CHECK VALVE
9.3	9.3 - COMPRESSOR LOAD SENSE CHECK VALVE
9.4	9.4 - LOAD SENSE SOLENOID CHECK VALVE
9.5	9.5 - FILL PUMP LOAD SENSE CHECK VALVE
9.6	9.6 - XRT LOAD SENSE CHECK VALVE
10	10 - NEEDLE VALVE
GA3500938 GOLDACRES HYDRAULIC MANIFOLD BLOCK, BOLT ON, OILPATH, 691926	
REV 01.C	

Hydraulic Manifold Assembly, Boom Control



IF DESCRIPTION PREFIX IS ASSEMBLY DRAWING ONLY OR PRODUCTION DRAWING ONLY THE ITEM IS NOT FOR SALE			
ITEM	PART NUMBER	DESCRIPTION	QTY
1	GA3500882	HYDRAULIC CARTRIDGE, NEEDLE VALVE, OILPATH, NV08-23B-0-N	3
1.1	GA3500883	SEAL KIT, OILPATH, SK08-2N-M	2
2	GA3500884	HYDRAULIC CARTRIDGE, CHECK VALVE, OILPATH, CV10-20-0-N-05	3
2.1	GA3500885	SEAL KIT, OILPATH, SK-2N-T	2
3	GA3500886	HYDRAULIC CARTRIDGE, FLOW DIVIDER, OILPATH, FD50-45-0-N-22	2
3.1	GA3500887	SEAL KIT, OILPATH, SK10-4N-MMM	1
4	GA3500888	HYDRAULIC CARTRIDGE, SOLENOID VALVE, OILPATH, SV10-28M-0-N-00	8
4.1	GA3500889	SEAL KIT, OILPATH, SK10-2N-M	-
4.2	GA3000577	COIL, 12V DC, OILPATH, 4303712	-
5	GA3500890	HYDRAULIC CARTRIDGE, SOLENOID VALVE, DCV, OILPATH, HSV10-47DM-0-U-00	1
5.1	GA3500887	SEAL KIT, OILPATH, SK10-4N-MMM	-
5.2	GA3000577	COIL, 12V DC, OILPATH, 4303712	-
6	GA3500891	HYDRAULIC CARTRIDGE, PRESSURE REDUCING VALVE, OILPATH, PR08-32A-0-N-22	1
6.1	GA3500892	SEAL KIT, OILPATH, SK08-3N-BM	-
7	GA3500893	HYDRAULIC CARTRIDGE, SOLENOID VALVE, DCV, OILPATH, SV08-47DM-0-N-00	1
7.1	GA3500894	SEAL KIT, OILPATH, SK08-4N-MMM	-
7.2	GA3000579	COIL, 12V DC, OILPATH, 4303612	-
8	GA3500133	HYDRAULIC COUPLING, EASY TEST POINT, 1/4" BSPP	3
9	GA3500853	ORIFICE PLUG, 1/16", 1.5mm	3
10	GA3500896	ORIFICE PLUG, 1/16", 0.6mm	2
11	GA3500849	ORIFICE PLUG, 1/16", 0.8mm	2
GA3500677		HYDRAULIC MANIFOLD ASSEMBLY, BOOM CONTROL, G6 MY20	REV 00

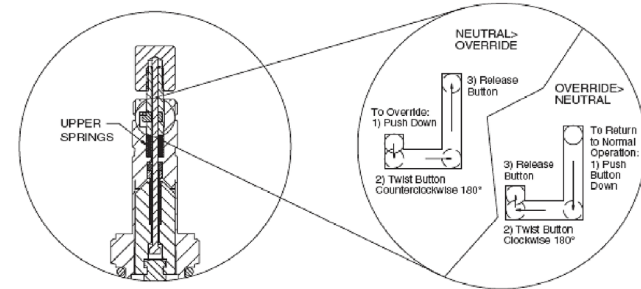
Hydraulic Manifold, Boom Control, Function Table



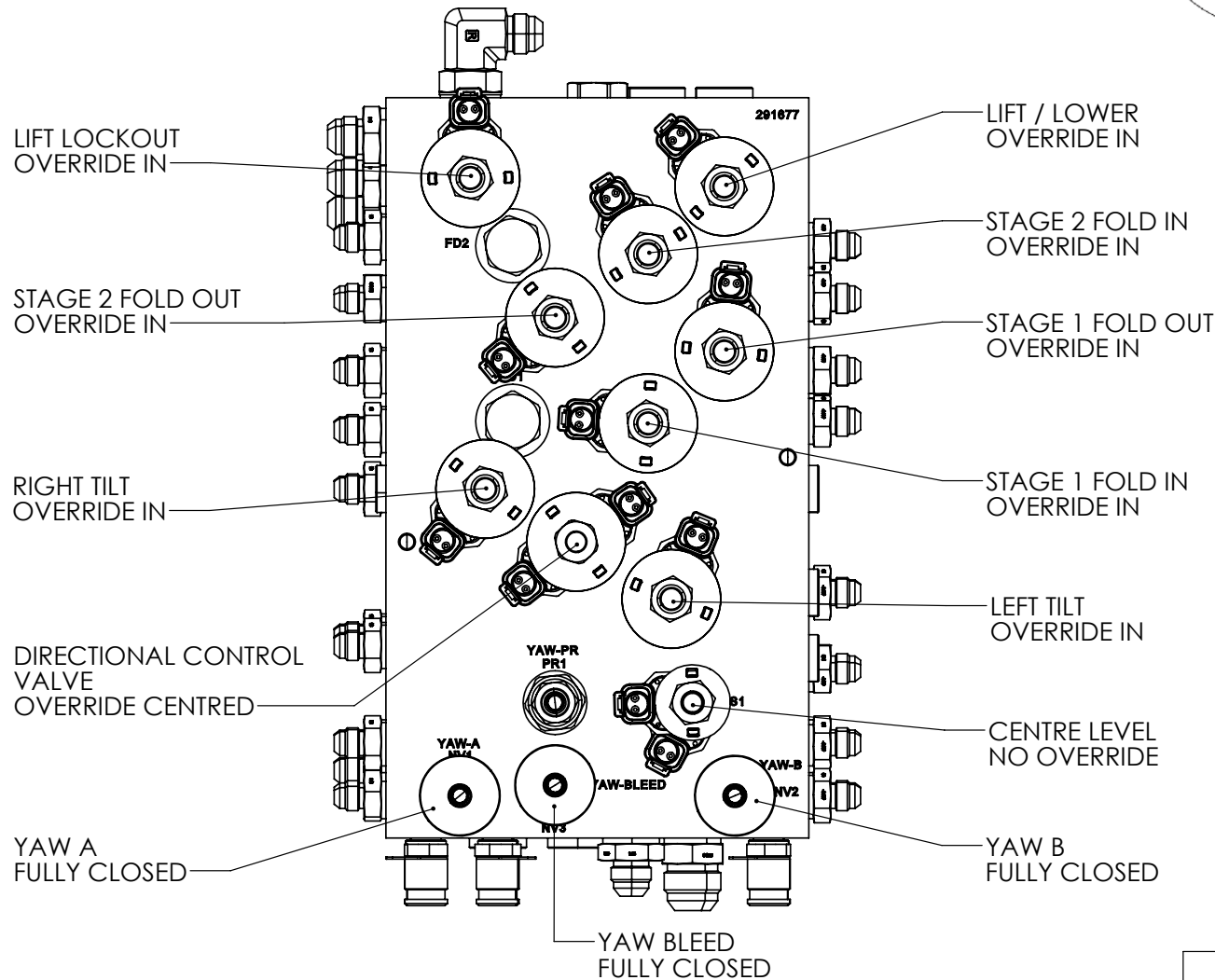
FUNCTION TABLE	
1	HYDRAULIC YAW VALVES
2A	CV1 - HYDRAULIC YAW CHECK VALVE
2B	CV2 - PRESSURE SUPPLY CHECK VALVE
2C	CV3 - BOOM LOWER CHECK VALVE
3A	FD1 - STAGE 1 FOLD FLOW DIVIDER
3B	FD2 - STAGE 2 BI FOLD FLOW DIVIDER
4A	SV1 - STAGE 1 FOLD IN SOLENOID VALVE
4B	SV2 - STAGE 1 FOLD OUT SOLENOID VALVE
4C	SV3 - STAGE 2 BI FOLD IN SOLENOID VALVE
4D	SV4 - STAGE 2 BI FOLD OUT SOLENOID VALVE
4E	SV5 - LIFT / LOWER SOLENOID VALVE
4F	SV6 - LIFT ACCUMULATOR LOCKOUT SOLENOID VALVE
4G	SV7 - RIGHT TILT LIFT
4H	SV8 - LEFT TILT LIFT
5	DCV - DIRECTIONAL CONTROL VALVE, BOOM FUNCTIONS
6	PR1 - HYDRAULIC YAW PRESSURE REDUCING VALVE
7	S1 - CENTRE LEVEL SOLENOID VALVE
8	TP - GAUGE TEST POINTS
GA3500677 	
HYDRAULIC MANIFOLD ASSEMBLY, BOOM CONTROL, G6 MY20	
REV 00	

Hydraulic Manifold, Boom Control, Factory Set Positions

FACTORY SET POSITIONS OF MANUAL OVERRIDES

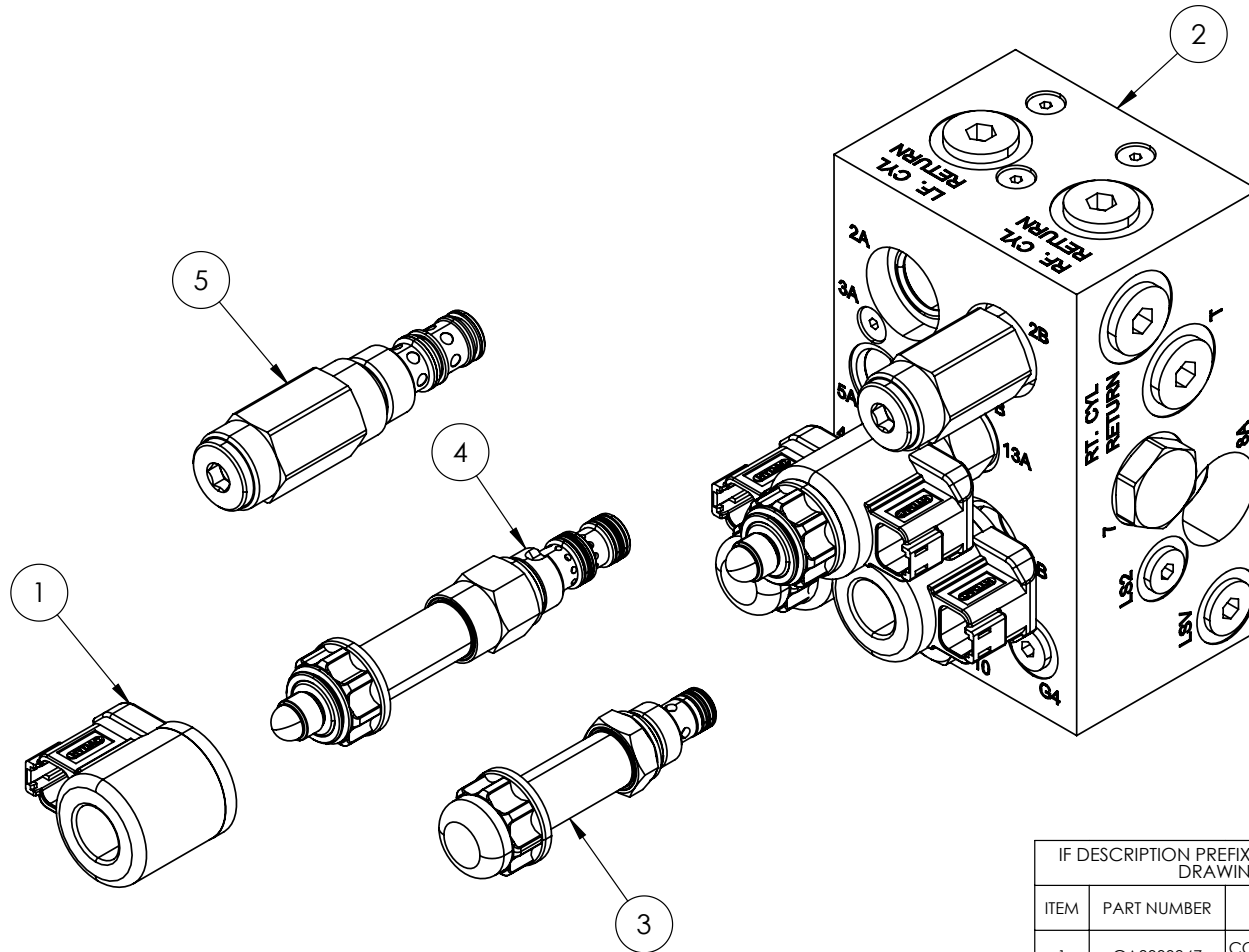


Exaggerated illustration of operation of Manual Override "M" option



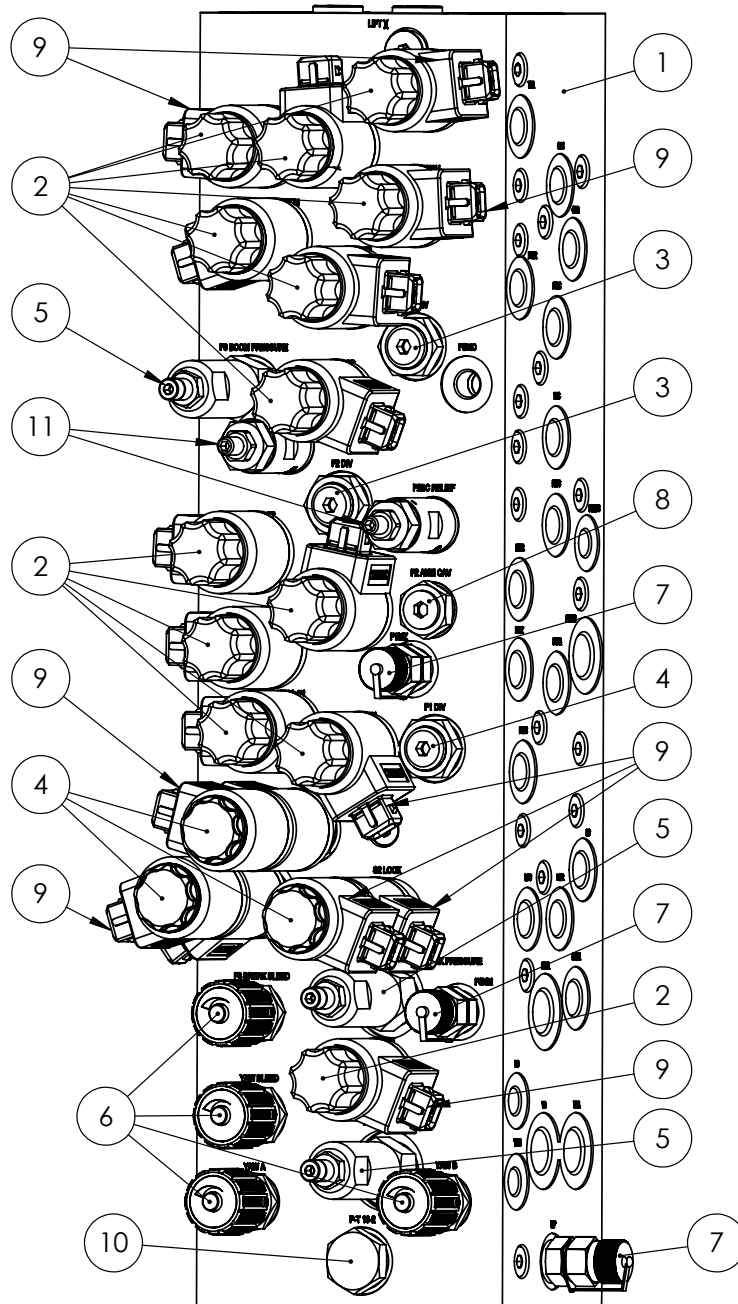
GA3500677 	HYDRAULIC MANIFOLD ASSEMBLY, BOOM CONTROL, G6 MY20	REV 00
---------------	--	--------

Hydraulic Manifold, Raven XRT



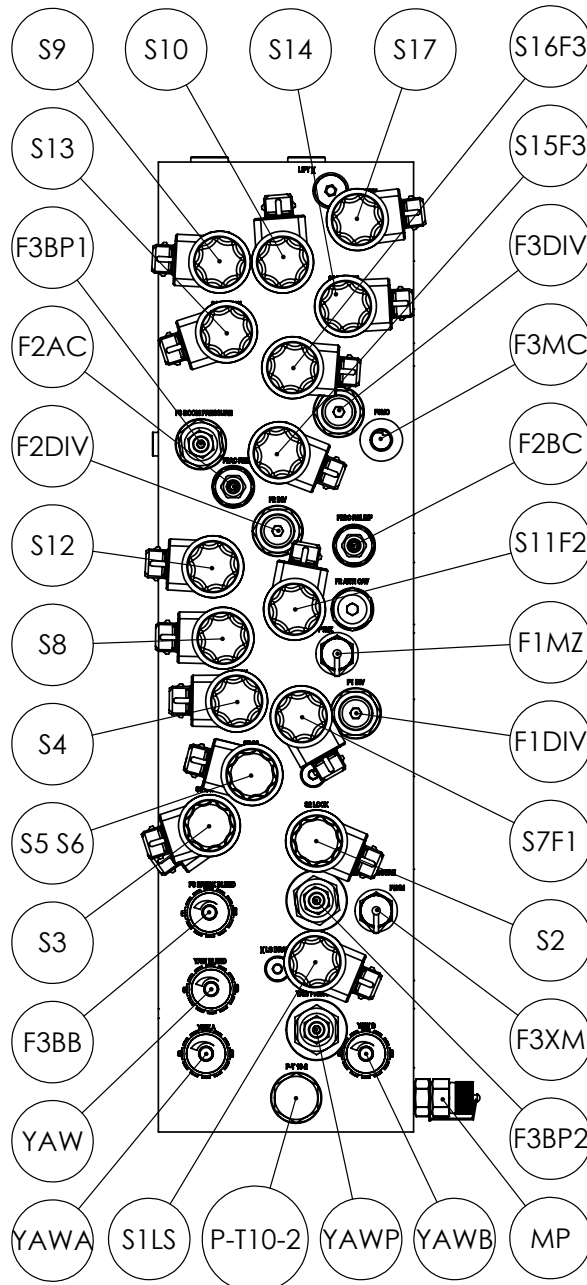
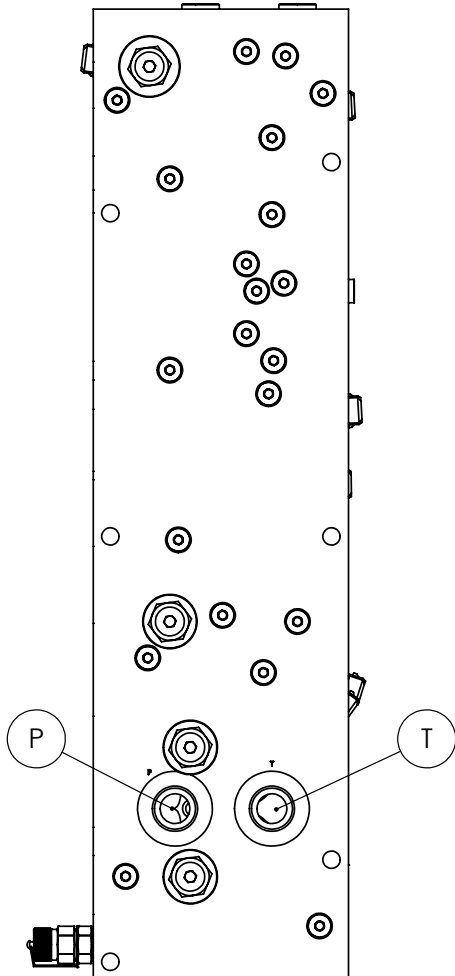
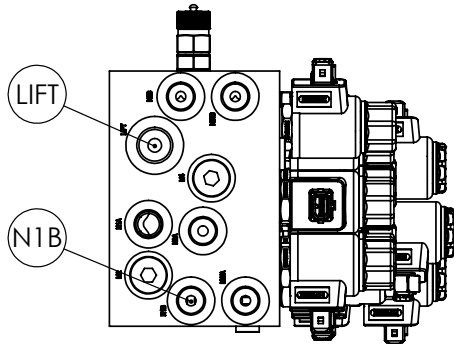
IF DESCRIPTION PREFIX IS ASSEMBLY DRAWING ONLY OR PRODUCTION DRAWING ONLY THE ITEM IS NOT FOR SALE			
ITEM	PART NUMBER	DESCRIPTION	QTY
1	GA3000847	COIL, 12V DC, DEUSTCH, CONNECTOR, XRT, 13340002118	4
2	GA3000385	VALVE, HYDRAULIC, RAVEN XRT ULTRAGLIDE, LOAD SENSE, 334-0235-002	1
3	GA5076857	VALVE, CARTRIDGE HYDRAULIC BLOCKER DBL 08, RAVEN, 3340002107	2
4	GA5076856	VALVE, CARTRIDGE HYDRAULIC PROPORTIONAL RDC/RLVG 08, RAVEN ULTRAGLIDE, 13340002106	2
5	GA5076858	VALVE, CARTRIDGE HYDRAULIC SEQUENCE 10, RAVEN, 3340002108	2
GA3000385		VALVE, HYDRAULIC, RAVEN XRT ULTRAGLIDE, LOAD SENSE, 334-0235-002	REV 00.C
GOLDACRES			

Hydraulic Manifold, Boom Control, 48mt



IF DESCRIPTION PREFIX IS ASSEMBLY DRAWING ONLY OR PRODUCTION DRAWING ONLY THE ITEM IS NOT FOR SALE			
ITEM	PART NUMBER	DESCRIPTION	QTY
1	GA3500603	HYDRAULIC CONTROL MANIFOLD, 48m BOOM	1
2	GA3500935	HYDRAULIC CARTRIDGE, POPPET VALVE, HYDAC, WSM06020W-01-C-N-0	13
3	GA3500934	HYDRAULIC CARTRIDGE, FLOW DIVIDER, HYDAC, ST10-01-C-N-11, 562884	3
4	GA3501808	HYDRAULIC FLOW DIVIDER/COMBINER, HYDAC, ST10-01-C-N-22, 562885	1
5	GA3501669	PRESSURE REDUCING VALVE, HYDAC, SCREW-IN CARTRIDGE, 3120534	3
6	GA3501671	HYDRAULIC NEEDLE VALVE, HYDAC, DV5E-01-X, 710300	4
7	GA3501672	TEST PORT, HYDRAULIC, HYDAC, ISO-228-G 1/4", 680107	3
8	GA3501673	HYDRAULIC CARTRIDGE, DIRECT ACTING, POPPET, HYDAC, RV08A-01-C-N-05, 560084	5
9	GA5056515	COIL, 12V DC, HYDAC, 12DN-40-1836, 3012600	19
10	GA3501674	HYDRAULIC CAVITY PLUG, HYDAC, FP102-0-N, 3014157	1
11	GA3501675	RELIEF VALVE POPPET, DIRECT ACTING, DB4E-01X-250V, 716143	2
GA3500603		HYDRAULIC CONTROL MANIFOLD, 48m BOOM	REV 00

Hydraulic Manifold, 48mt, Function Table

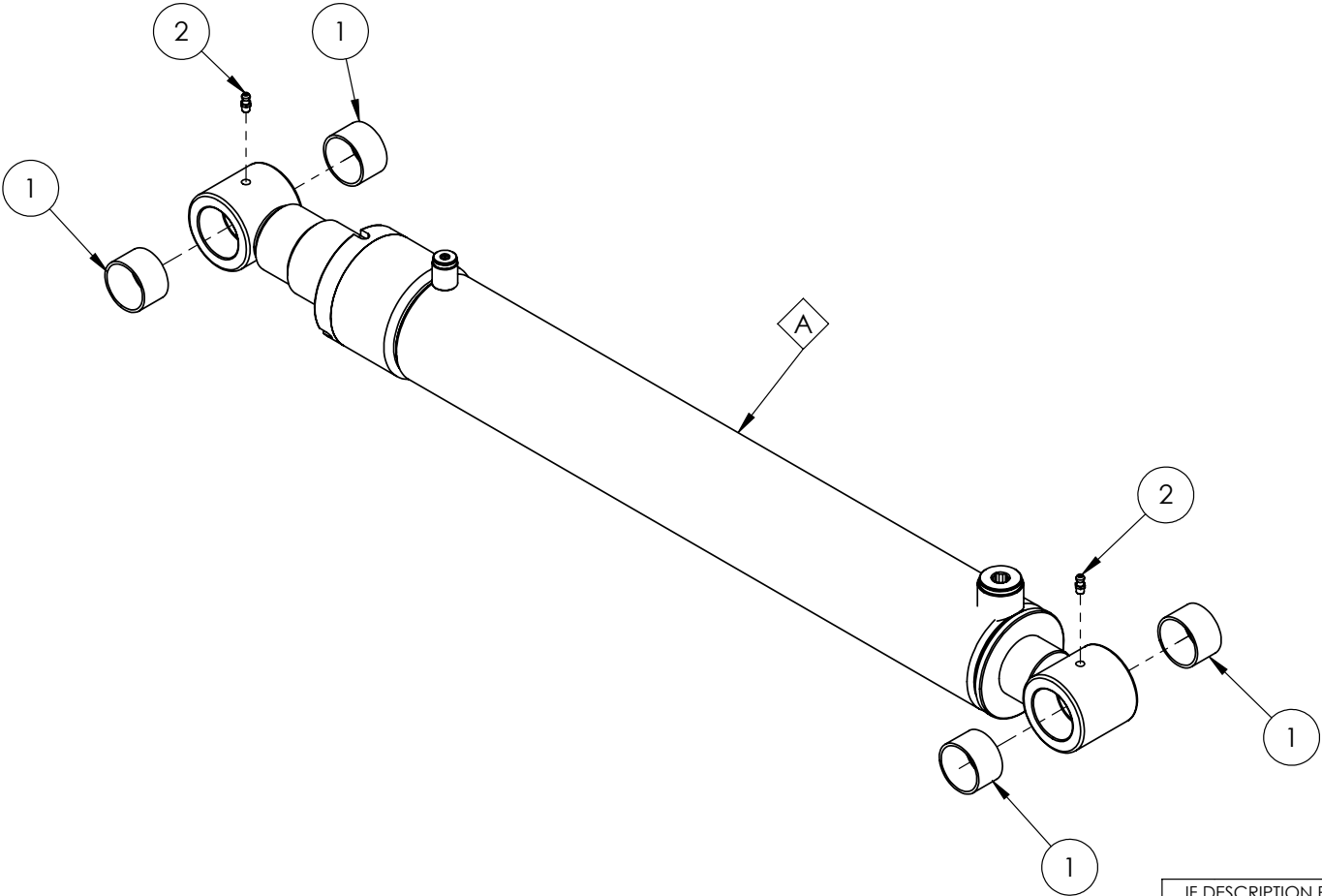


FUNCTION TABLE		
S1LS	HYDRAULIC YAW	
S2	CENTRE LOCK	
S3	BOOM LATCH	
S4	FIRST STAGE FOLD - RETURN	
S5 S6	BOOM OPERATIONS (MASTER)	
S7F1	FIRST STAGE FOLD - RIGHT HAND SIDE	
S8	FIRST STAGE FOLD - LEFT HAND SIDE	
S9	BOOM TILT - RIGHT HAND SIDE	
S10	BOOM TILT - LEFT HAND SIDE	
S11F2	SECOND STAGE FOLD - RIGHT HAND SIDE	
S12	SECOND STAGE FOLD - LEFT HAND SIDE	
S13	BOOM CATCH - RIGHT HAND SIDE	
S14	BOOM CATCH - LEFT HAND SIDE	
S15F3	THIRD STAGE FOLD - RIGHT HAND SIDE	
S16F3	THIRD STAGE FOLD - LEFT HAND SIDE	
S17	BOOM LIFT	
F1DIV	FIRST STAGE FOLD FLOW DIVIDER	
F1MZ	FIRST STAGE FOLD TEST PORT	
F2AC	SECOND STAGE FOLD - RIGHT HAND SIDE PRESSURE RELIEF	
F2BC	SECOND STAGE FOLD - LEFT HAND SIDE PRESSURE RELIEF	
F2DIV	SECOND STAGE FOLD FLOW DIVIDER	
F3BB	THIRD STAGE FOLD BREAK BLEED	
F3BP1	THIRD STAGE FOLD BOOM PRESSURE	
F3BP2	THIRD STAGE BREAK PRESSURE	
F3DIV	THIRD STAGE FOLD FLOW DIVIDER	
F3MC	THIRD STAGE FOLD ACCUMULATOR	
F3XM	THIRD STAGE FOLD TEST PORT	
LIFT	LIFT CYLINDERS	
N1B	RAVEN ULTRAGLIDE XRT	
MP	TEST PORT	
P-T10-2	RAVEN ULTRAGLIDE XRT	
YAW	YAW BLEED	
YAW A	YAW CONTROL - RIGHT HAND SIDE	
YAW B	YAW CONTROL - LEFT HAND SIDE	
YAW P	YAW PRESSURE	
P	RAVEN ULTRAGLIDE XRT - LEFT HAND SIDE	
T	RAVEN ULTRAGLIDE XRT - RIGHT HAND SIDE	
GA7800158	HYDRAULIC CONTROL MANIFOLD, 48m	REV
GOLDACRES	BOOM	00



Cylinder, Hydraulic, Boom Lift, 5000L & 6500L

REPLACEMENT PARTS			
ITEM	PART NUMBER	DESCRIPTION	QTY
A	GA3501576	SEAL KIT, HYDRAULIC CYLINDER, SUIT, GA3500682 & GA3500593, "BICELLI GECO" BRAND ONLY	-
	GA3501632	SEAL KIT, SUIT, HYDRAULIC CYLINDER, GA3500682, "MOTUS" BRAND ONLY, SK300250	-



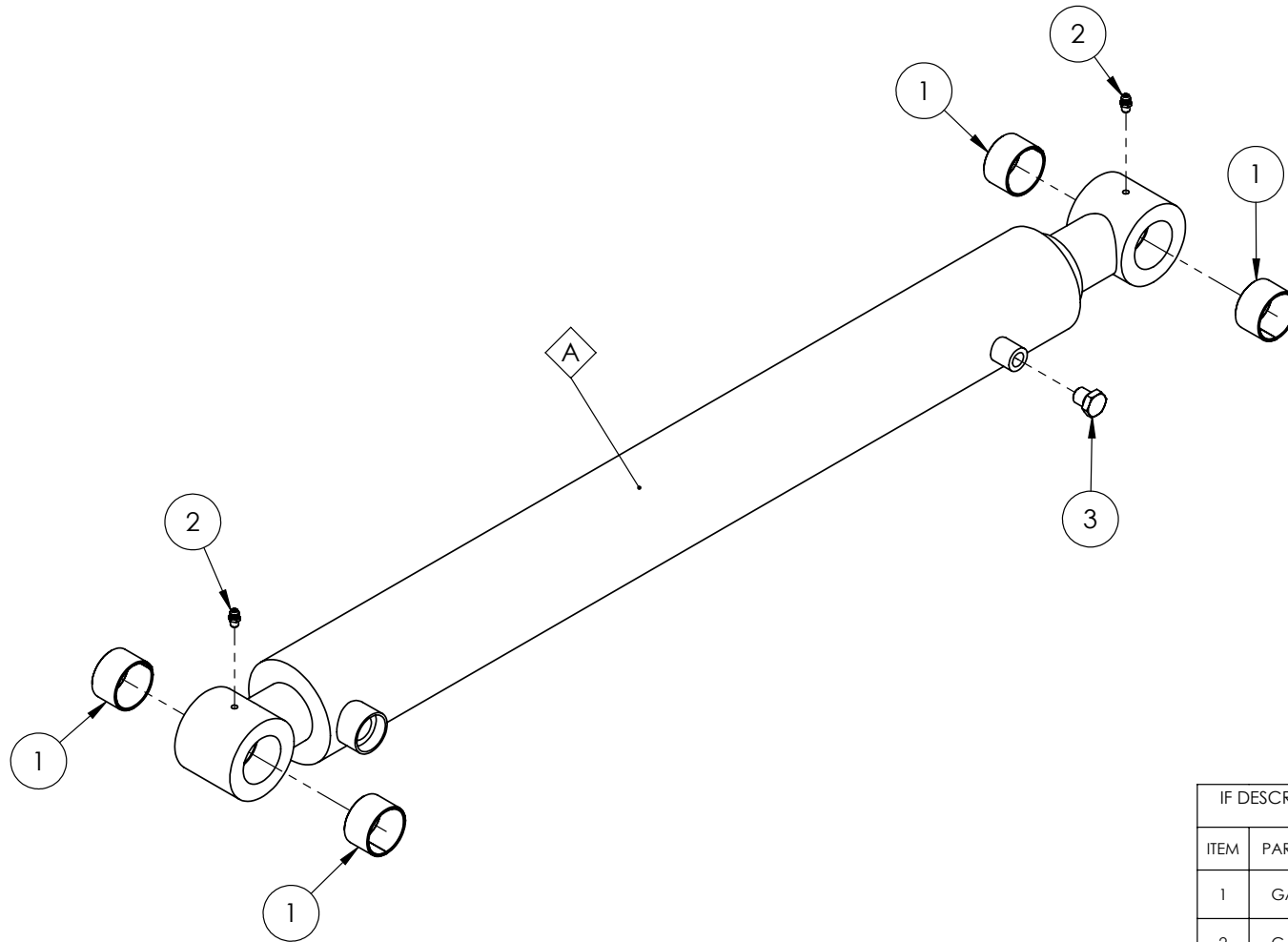
IF DESCRIPTION PREFIX IS ASSEMBLY DRAWING ONLY OR PRODUCTION DRAWING ONLY THE ITEM IS NOT FOR SALE			
ITEM	PART NUMBER	DESCRIPTION	QTY
1	GA1700027	BEARING, GLACIER BUSH, 1 1/2" ID X 1" LONG	4
2	GA5050450	GREASE NIPPLE, 6mm	2
GA3500682		HYDRAULIC CYLINDER, DISPLACEMENT, 3" BORE, 2.5" ROD 21" STROKE, 1 1/2" PIN EYES	REV 01.B

BICELLI GECO BRAND SHOWN

Cylinder, Hydraulic, Boom Lift, 8500L & 10,000L



REPLACEMENT PARTS			
ITEM	PART NUMBER	DESCRIPTION	QTY
A	GA3501576	SEAL KIT, HYDRAULIC CYLINDER, SUITS GA3500593, "BICELLI GECO" BRAND ONLY	1
	GA5052731	SEAL KIT, SUIT 3" BORE X 2 1/2" ROD, SUITS GA3500593, "HYPOWER" BRAND ONLY	1



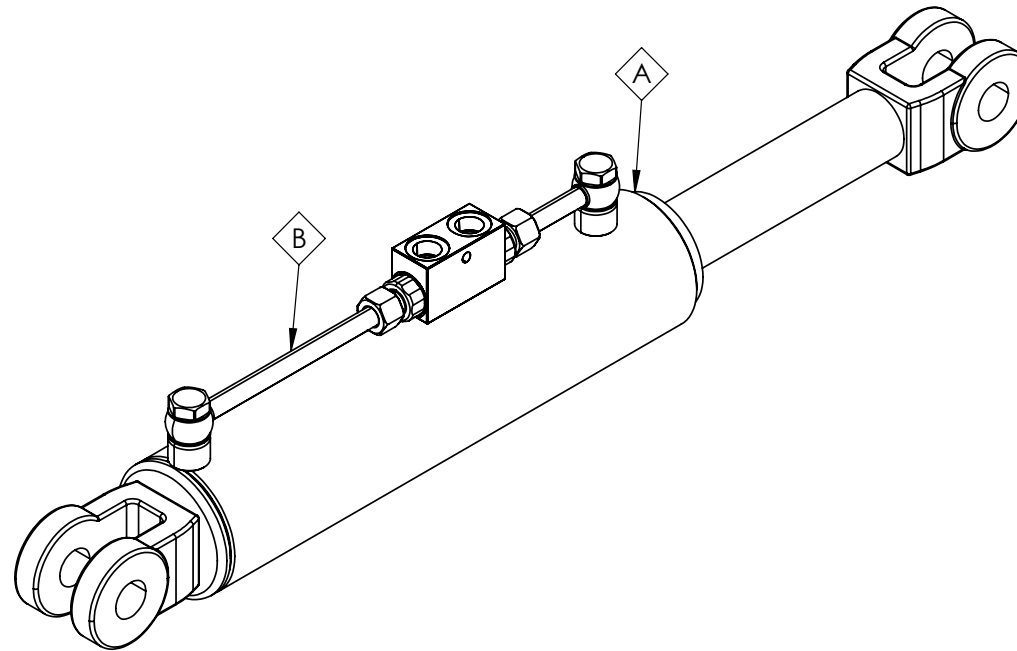
IF DESCRIPTION PREFIX IS ASSEMBLY DRAWING ONLY OR PRODUCTION DRAWING ONLY THE ITEM IS NOT FOR SALE			
ITEM	PART NUMBER	DESCRIPTION	QTY
1	GA1700027	BEARING, GLACIER BUSH, 1 1/2" ID X 1" LONG	4
2	GA5012203	GREASE NIPPLE 1/4" UNF SHORT	2
3	GA3500299	HYDRAULIC ADAPTOR, PLUG, 1/4" BSPP MALE, S73-04	1
GA3500593		HYDRAULIC CYLINDER, DISPLACEMENT, 3" BORE, 2.5" ROD, 26" STROKE SUIT 1.5" PINS	REV 01





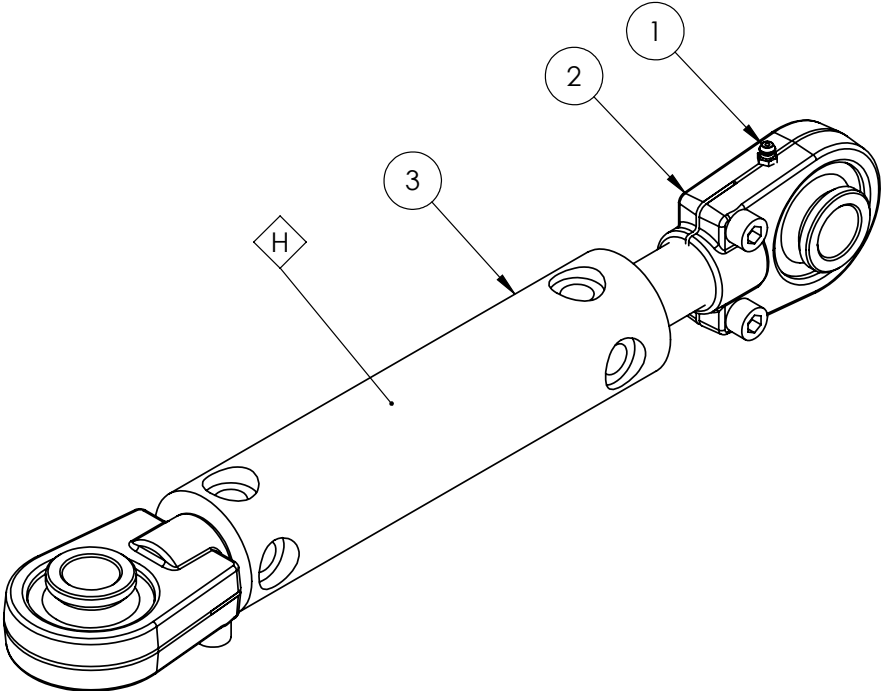
Cylinder, Hydraulic, Jack

REPLACEMENT PARTS			
ITEM	PART NUMBER	DESCRIPTION	QTY
A	GA5025886	KIT, SEAL, SUIT, HYDRAULIC CYLINDER, "MOTUS", GA3501073	-
B	GA3501795	KIT, CHECK VALVE, DOUBLE LOCK, SUIT, "MOTUS" CYLINDER GA3501073	-

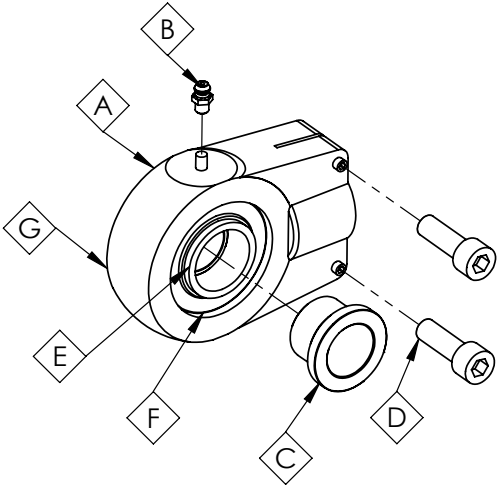


GA3501073	HYDRAULIC CYLINDER, BORE 3.0", ROD 1.75", STROKE 12", CLEVIS ENDS, DOUBLE PILOT CHECK VALVE	REV 01
-----------	---	--------

Cylinder, Hydraulic, Yaw, 36mt



REPLACEMENT PARTS			
ITEM	PART NUMBER	DESCRIPTION	QTY
A	GA5052965	BEARING, ROSE END HOUSING, M28 SCREW ON, SUIT HYDRAULIC CYLINDER & DELTA LINK, INC. BUSHES	1
B	GA5050450	GREASE NIPPLE, 6mm	1
C	GA5021925	SMALL BEARING BUSH, SUIT SCREW ON ROSE END, HYPOWER, R-10424	2
D	GA5006131	SHCS M10 X 30 SS A2-70	2
E	GA5067605	BEARING, RADIAL SPHERICAL PLAIN, 30mm ID X 55mm OD X 32mm THICK, GEG 30 ES 2RS	1
F	GA5067610	CIRCLIP, SUIT BEARING SCREW ON ROSE END, RTW 55	2
G	GA5052966	SALES KIT, BEARING KIT, SUIT SCREW ON ROSE END, CYLINDERS AND DELTA LINKS	-
H	GA5074330	SEAL KIT, SUIT, HYDRAULIC YAW CYLINDER, 2" X 1.25", MOTUS GA5060817	-

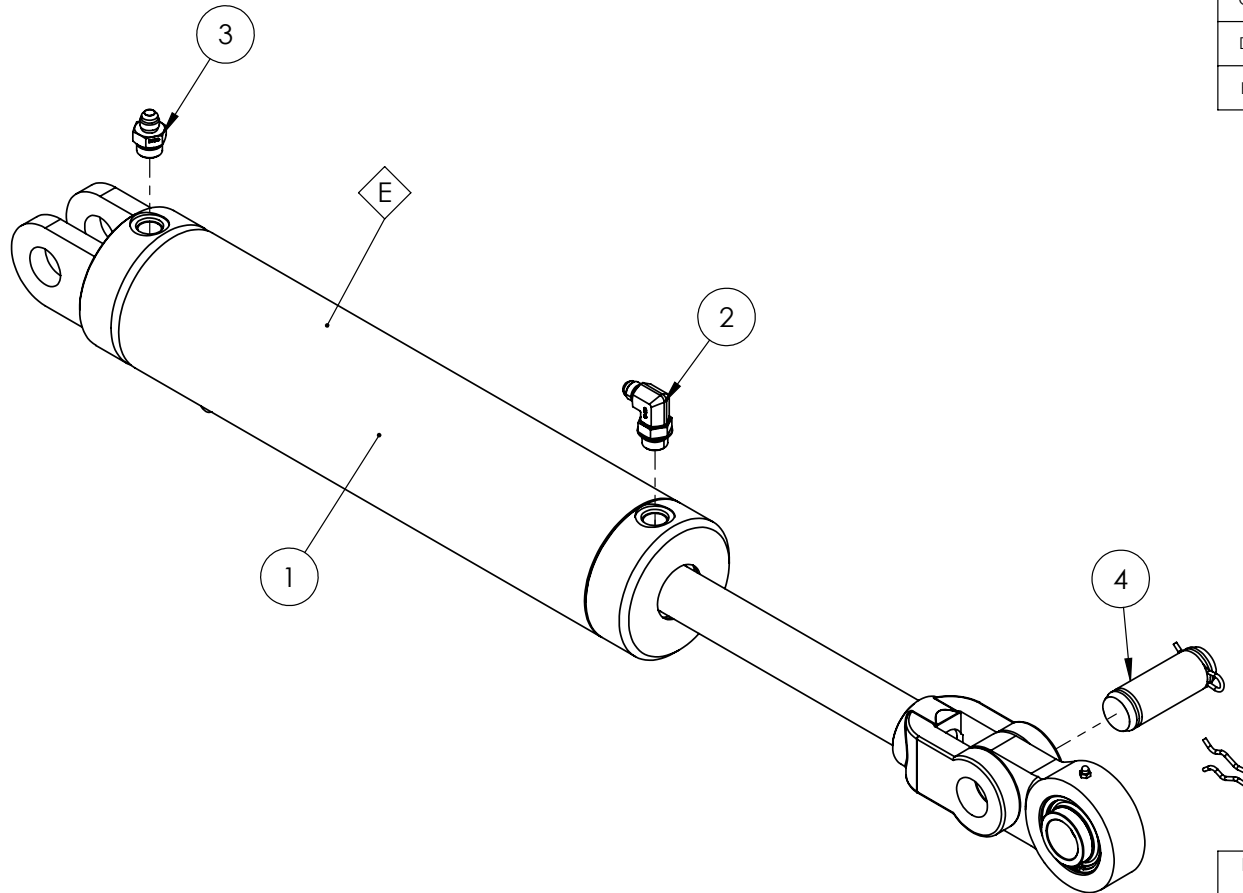


IF DESCRIPTION PREFIX IS ASSEMBLY DRAWING ONLY OR PRODUCTION DRAWING ONLY THE ITEM IS NOT FOR SALE			
ITEM	PART NUMBER	DESCRIPTION	QTY
1	GA5012203	GREASE NIPPLE 1/4" UNF SHORT	2
2	GA5052965	HEAVY DELTA LINK ROSE END	2
3	GA5060817	HYDRAULIC CYLINDER, BORE 2", ROD 1.25", STROKE 117.5mm	1
GA5060817		HYDRAULIC CYLINDER, BORE 2", ROD 1.25", STROKE 117.5mm	REV 00

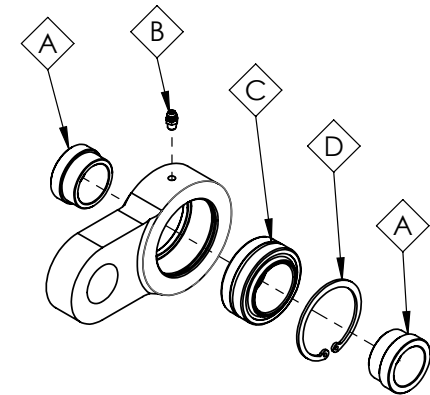




Cylinder, Hydraulic Boom Tilt



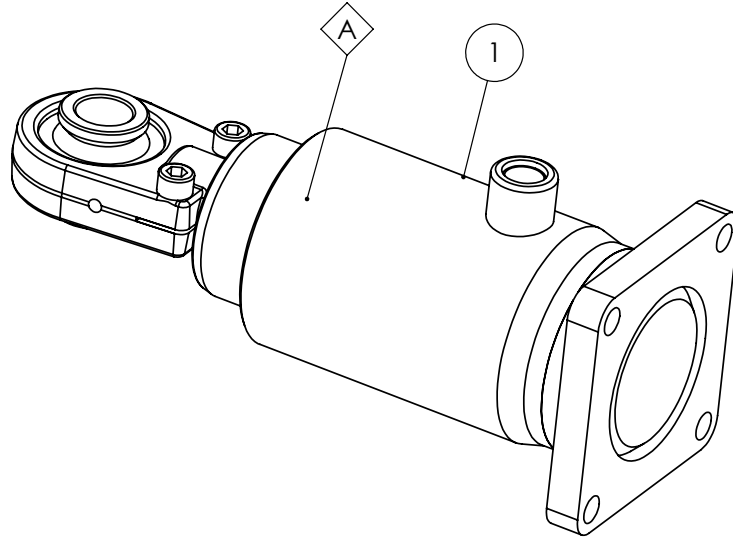
REPLACEMENT PARTS			
ITEM	PART NUMBER	DESCRIPTION	QTY
A	GA4551645	BUSH, SPACER, BALL END, ROD, TILT CYLINDER	2
B	GA5012203	GREASE NIPPLE, SHORT, 1/4 UNF, MACH0207	1
C	GA1700029	BEARING, BALL END, 40mm, GE40ES-2RS	1
D	GA5078782	CIRCLIP 62 INTERNAL	1
E	GA3501148	SEAL KIT, HYDRAULIC TILT CYLINDER, GA3500835	-



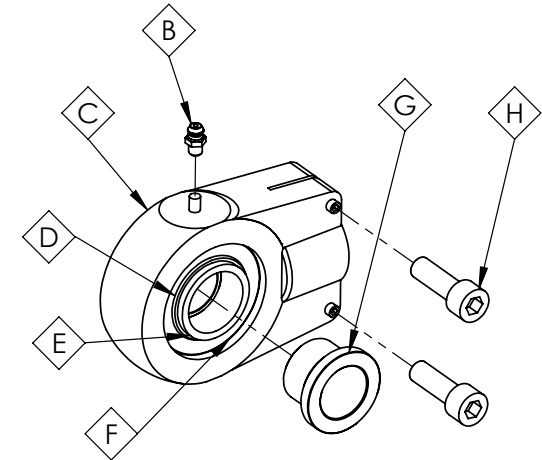
IF DESCRIPTION PREFIX IS ASSEMBLY DRAWING ONLY OR PRODUCTION DRAWING ONLY THE ITEM IS NOT FOR SALE			
ITEM	PART NUMBER	DESCRIPTION	QTY
1	GA3500835	HYDRAULIC CYLINDER, BORE 4", ROD 1.5", STROKE 300mm	1
2	GA3500700	HYDRAULIC ADAPTOR, ELBOW, 90 DEGREE, 9/16" JIC MALE X 3/4" UN MALE O-RING, S91-0912	1
3	GA3500147	HYDRAULIC ADAPTOR, NIPPLE, 9/16" JIC MALE X 3/4" UN MALE O-RING, S90-0912	1
4	GA4551875	PIN, 1 1/4" X 68mm LONG, TILT CYLINDER KNUCKLE	1
GA7800058		HYDRAULIC CYLINDER, BORE 4", ROD 1.5", STROKE 300mm, TILT	REV 00



Cylinder, Cushion, Fold, Flange Base Mount



REPLACEMENT PARTS			
ITEM	PART NUMBER	DESCRIPTION	QTY
A	GA3500673	SEAL KIT, HYDRAULIC CYLINDER, SUIT GA3500656, EUREKA ENGINEERED PRODUCTS	-
B	GA5050450	GREASE NIPPLE, 6mm	-
C	GA5052965	BEARING, ROSE END HOUSING, M28 SCREW ON, SUIT HYDRAULIC CYLINDER & DELTA LINK, INC. BUSHES	-
D	GA5052966	SALES KIT, BEARING KIT, SUIT SCREW ON ROSE END, CYLINDERS AND DELTA LINKS	-
E	GA5067605	BEARING, RADIAL SPHERICAL PLAIN, 30mm ID X 55mm OD X 32mm THICK, GEG 30 ES 2RS	-
F	GA5067610	CIRCLIP, SUIT BEARING SCREW ON ROSE END, RTW 55	-
G	GA5021925	SMALL BEARING BUSH, SUIT SCREW ON ROSE END, HYPower, R-10424	-
H	GA5006131	SHCS M10 X 30 SS A2-70	-

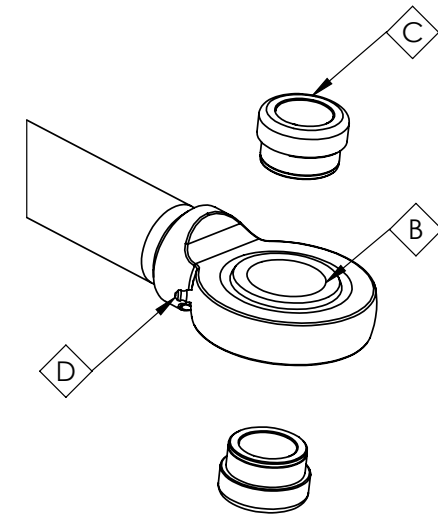
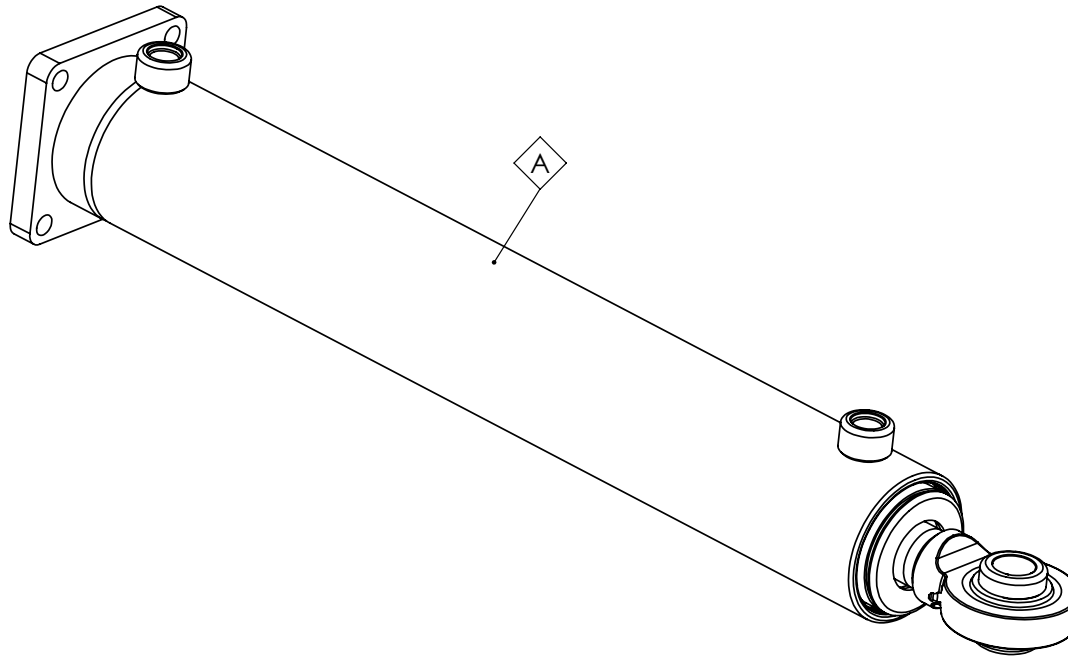


IF DESCRIPTION PREFIX IS ASSEMBLY DRAWING ONLY OR PRODUCTION DRAWING ONLY THE ITEM IS NOT FOR SALE			
ITEM	PART NUMBER	DESCRIPTION	QTY
1	GA3500656	HYDRAULIC CYLINDER, DISPLACEMENT (CUSHION), 3.25" BORE, 3" ROD, FLANGE BASE MOUNT, 1" ROSE END	1
GA3500656		HYDRAULIC CYLINDER, DISPLACMENT (CUSHION), 3.25" BORE, 3" ROD, FLANGE BASE MOUNT, 1" ROSE END	REV 00



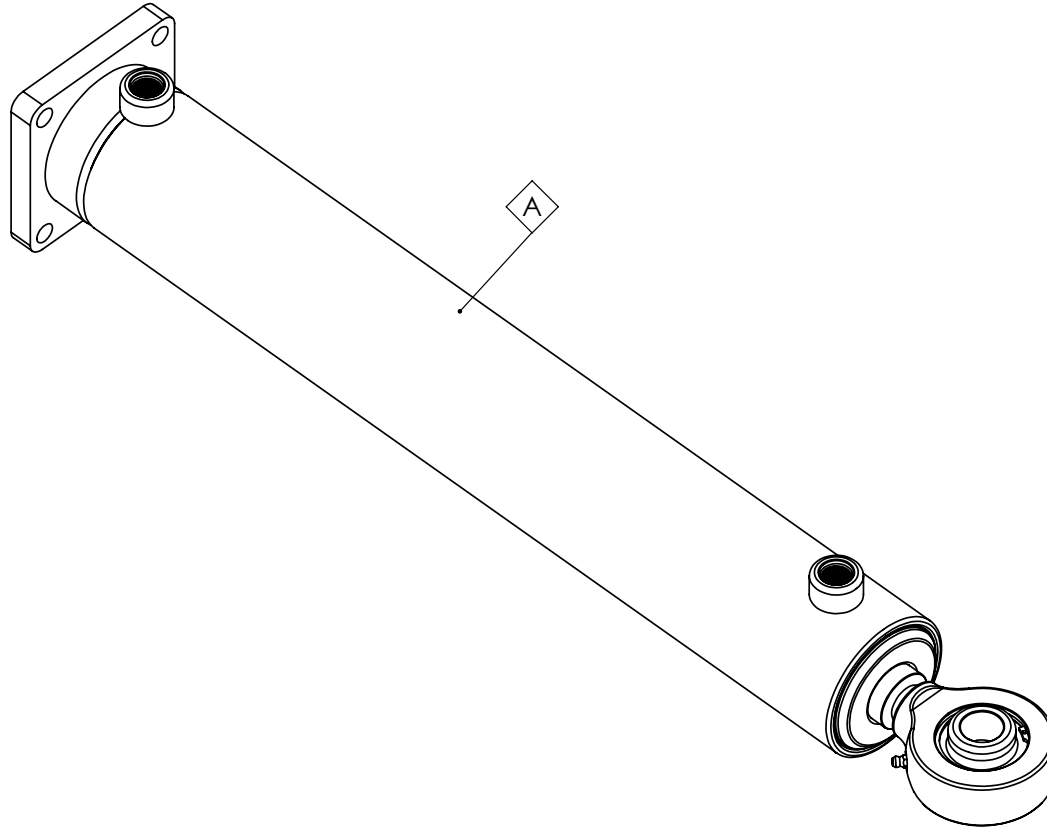
Cylinder, Hydraulic, Fold, Flange Base Mount, REV-05

REPLACEMENT PARTS			
ITEM	PART NUMBER	DESCRIPTION	QTY
A	GA5025907	SEAL KIT, SUIT, HYDRAULIC CYLINDER, "MOTUS" BRAND ONLY, GA3500655-REV04	-
B	GA5025896	BEARING SPHERICAL, GE25ES-2RS, SUIT, ROSE END, SK35ES-60006461	1
C	GA5025991	BUSH, 40X35X25, SUIT, HYDRAULIC CYLINDER, "MOTUS", GA3500681	2
D	GA5050450	GREASE NIPPLE, 6mm	1

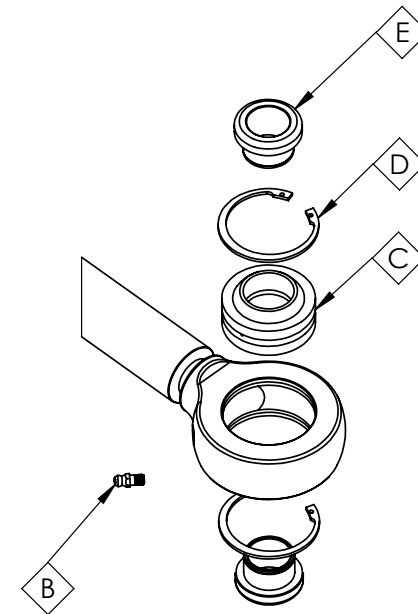


ITEM **B** IS A PRESSED BEARING

Cylinder, Hydraulic, Fold, Flange Base Mount, REV-06



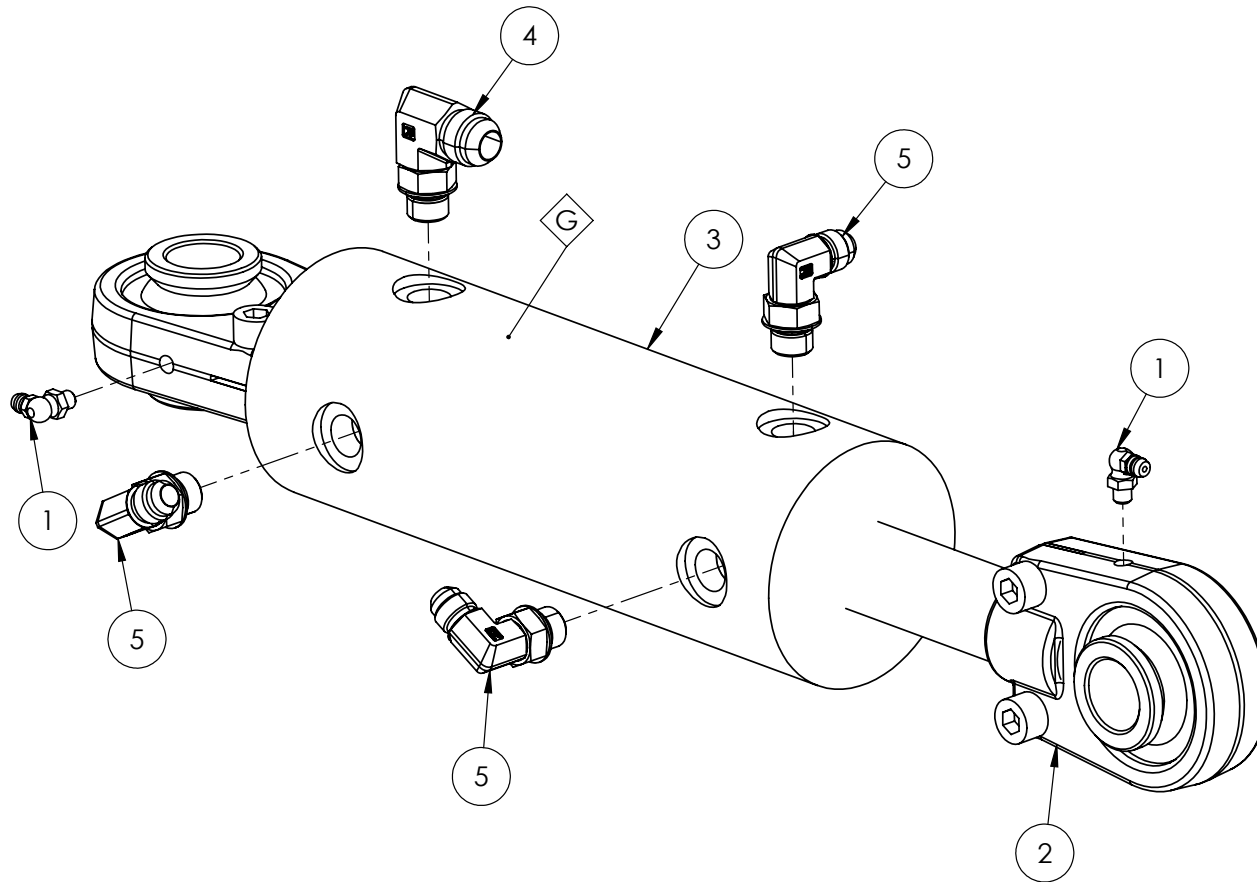
REPLACEMENT PARTS			
ITEM	PART NUMBER	DESCRIPTION	QTY
A	GA5025907	SEAL KIT, SUIT, HYDRAULIC CYLINDER, "MOTUS" BRAND ONLY, GA3500655	-
B	GA5050450	GREASE NIPPLE, 6mm	1
C	GA5067605	BEARING, RADIAL SPHERICAL PLAIN, 30mm ID X 55mm OD X 32mm THICK, GEG 30 ES 2RS	1
D	GA5067610	CIRCLIP, SUIT BEARING SCREW ON ROSE END, RTW 55	2
E	GA5026034	BUSH, ROSE END, 30OD X 25ID	2



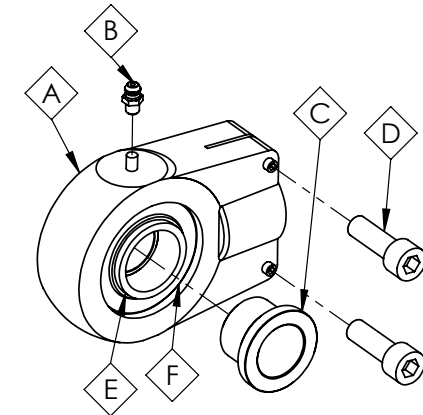
GA3500655	HYDRAULIC CYLINDER, DOUBLE ACTING, 3.25" BORE, 1.5" ROD, FLANGE BASE MOUNT, 1" ROSE END	REV 06
-----------	---	--------



Cylinder, Hydraulic Yaw, 42mt & 48mt



REPLACEMENT PARTS			
ITEM	PART NUMBER	DESCRIPTION	QTY
A	GA5052965	BEARING, ROSE END HOUSING, M28 SCREW ON, SUIT HYDRAULIC CYLINDER & DELTA LINK, INC. BUSHES	1
B	GA5050450	GREASE NIPPLE, 6mm	1
C	GA5021925	SMALL BEARING BUSH, SUIT SCREW ON ROSE END, HYPOWER, R-10424	2
D	GA5006131	SHCS M10 X 30 SS A2-70	2
E	GA5067605	BEARING, RADIAL SPHERICAL PLAIN, 30mm ID X 55mm OD X 32mm THICK, GEG 30 ES 2RS	1
F	GA5067610	CIRCLIP, SUIT BEARING SCREW ON ROSE END, RTW 55	1
G	GA3501270	SEAL KIT, SUIT, HYDRAULIC CYLINDER, GA5018540 & GA5060818, "MOTUS", SK300125	-
-	GA5052966	SALES KIT, BEARING KIT, SUIT SCREW ON ROSE END, CYLINDERS AND DELTA LINKS	-

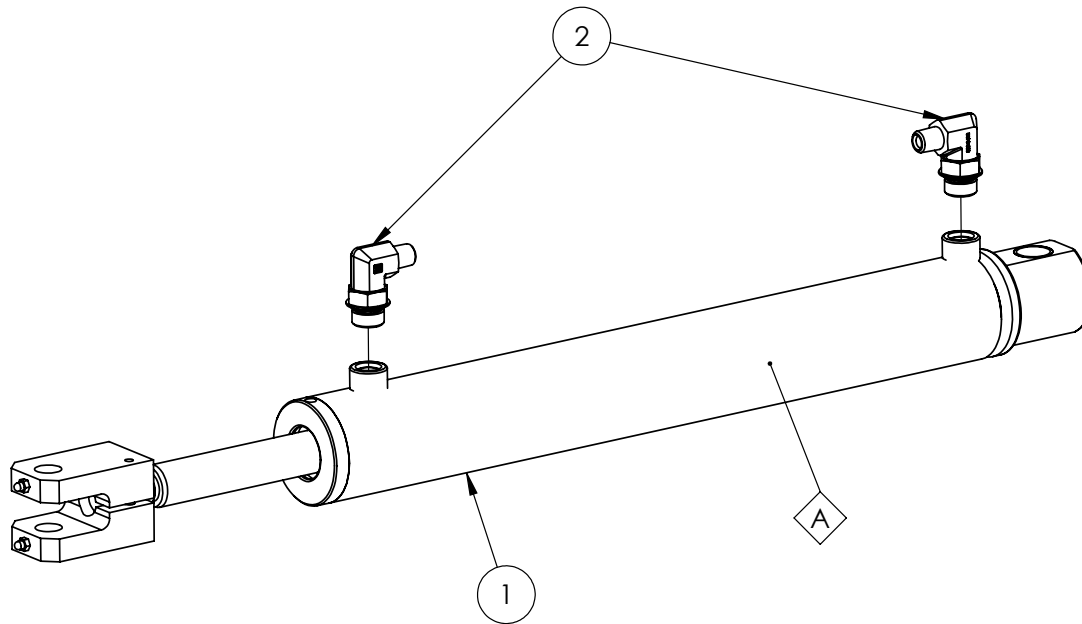


IF DESCRIPTION PREFIX IS ASSEMBLY DRAWING ONLY OR PRODUCTION DRAWING ONLY THE ITEM IS NOT FOR SALE			
ITEM	PART NUMBER	DESCRIPTION	QTY
1	GA5009637	GREASE NIPPLE, ELBOW, 90 DEGREE, 1/4 UNF MALE, MACH0207	2
2	GA5052965	HEAVY DELTA LINK ROSE END	2
3	GA5060818	HYDRAULIC CYLINDER, BORE 3", ROD 1.25", STROKE 117.5mm	1
4	GA3500802	HYDRAULIC ADAPTOR, ELBOW, 90 DEGREE, 3/4" JIC MALE X 9/16" UN MALE O-RING, S91-1209	1
5	GA3500716	HYDRAULIC ADAPTOR, ELBOW, 90 DEGREE, 9/16" JIC MALE X 9/16" UN MALE O-RING, S91-0909	3
GA5060818		HYDRAULIC YAW CYLINDER LARGE 3" WITH BALL ENDS	REV 00

Cylinder, Hydraulic, Second Stage Fold, 48mt



REPLACEMENT PARTS			
ITEM	PART NUMBER	DESCRIPTION	QTY
A	GA3500684	SEAL KIT, HYDRAULIC CYLINDER, SUIT GA3500476, EUREKA ENGINEERED PRODUCTS	-
	GA3501584	SEAL KIT, SUIT, HYDRAULIC CYLINDER, GA3501082, "MOTUS" BRAND	-



IF DESCRIPTION PREFIX IS ASSEMBLY DRAWING ONLY OR PRODUCTION DRAWING ONLY THE ITEM IS NOT FOR SALE			
ITEM	PART NUMBER	DESCRIPTION	QTY
1	GA3500476	HYDRAULIC CYLINDER, BORE 2", ROD 1", STROKE 395mm, EUREKA ENGINEERING BRAND	1
	GA3501082	HYDRAULIC CYLINDER, 2.5" X 1.25" X 395mm STROKE, 3RD STAGE FOLD, 48M	1
2	GA3500348	HYDRAULIC ADAPTOR, ELBOW, 90 DEGREE, 1/4" BSPT MALE X 3/4" UN MALE O-RING	2
GA7800161		HYDRAULIC CYLINDER, 2" BORE, 1" ROD, 395mm STROKE, 48MT, THIRD STAGE FOLD	REV 00

GA3501082: SERIAL BREAK

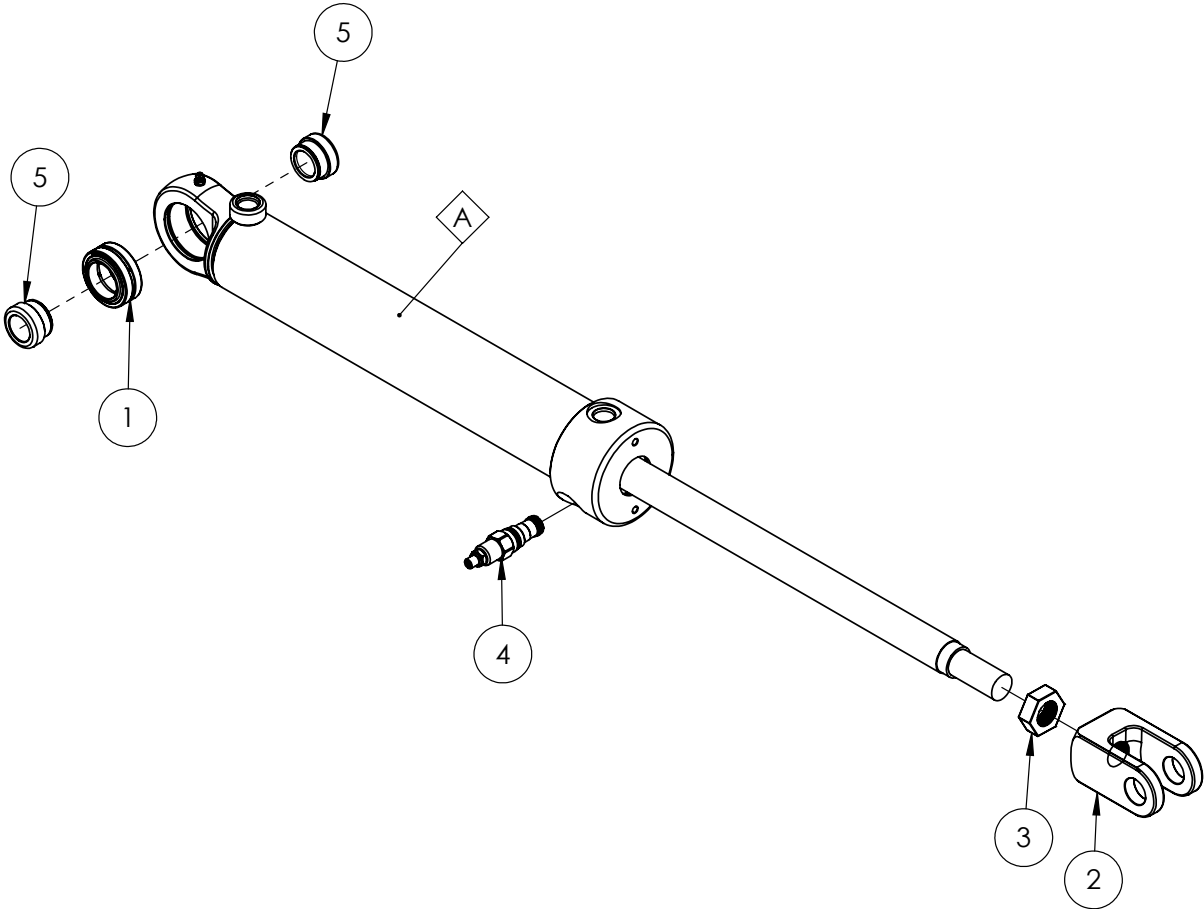
PRAIRIE PRO S2 - FROM S/N 203743

GA6000250 - Prairie Pro S2 - REV01



Cylinder, Hydraulic, Bi-Fold, RIVX

REPLACEMENT PARTS			
ITEM	PART NUMBER	DESCRIPTION	QTY
A	GA3501077	SEAL KIT, HYDRAULIC CYLINDER, BI-FOLD CUSHION, GA3500681	1

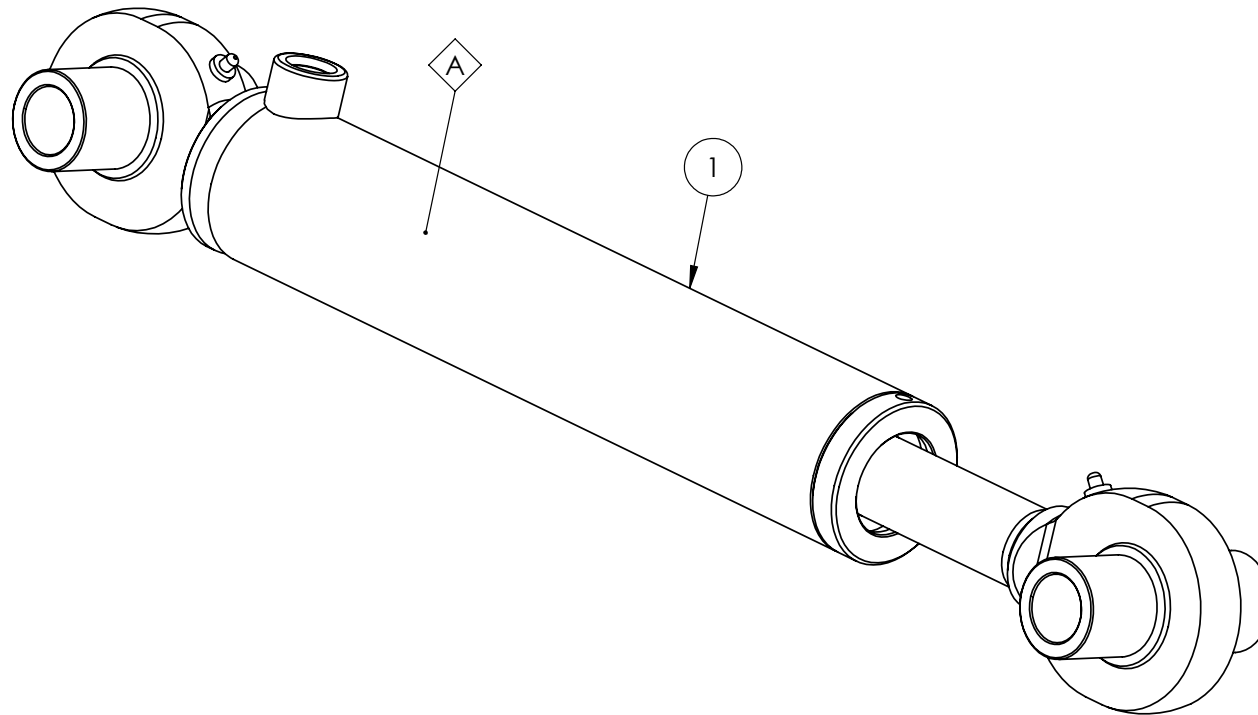


IF DESCRIPTION PREFIX IS ASSEMBLY DRAWING ONLY OR PRODUCTION DRAWING ONLY THE ITEM IS NOT FOR SALE			
ITEM	PART NUMBER	DESCRIPTION	QTY
1	GA3501081	BEARING, SPHERICAL, HYDRAULIC CYLINDER, GA3500681	1
2	GA3501078	CLEVIS, SCREW ON 1 1/2" UNF, HYDRAULIC CYLINDER, GA3500681	1
3	GA3501079	LOCK NUT, 1 1/2" UNF, HYDRAULIC CYLINDER, GA3500681	1
4	GA3501080	NEEDLE VALVE, HYDRAULIC CYLINDER CUSHION CONTROL, GA3500681	1
5	GA5025991	BUSH, 40X35X25, SUIT, HYDRAULIC CYLINDER, "MOTUS", GA3500681	2
GA3500681		HYDRAULIC CYLINDER, 2.5" BORE, 1 1/4" ROD, 350mm STROKE, 50mm CUSHION, BI-FOLD, TRITECH, MY20	REV 03

Cylinder, Breakaway



REPLACEMENT PARTS			
ITEM	PART NUMBER	DESCRIPTION	QTY
A	GA5074565	SEAL KIT, SUIT, HYDRAULIC CYLINDER, 1 1/2" BORE 1" ROD, BREAKAWAY, GA3500683	-



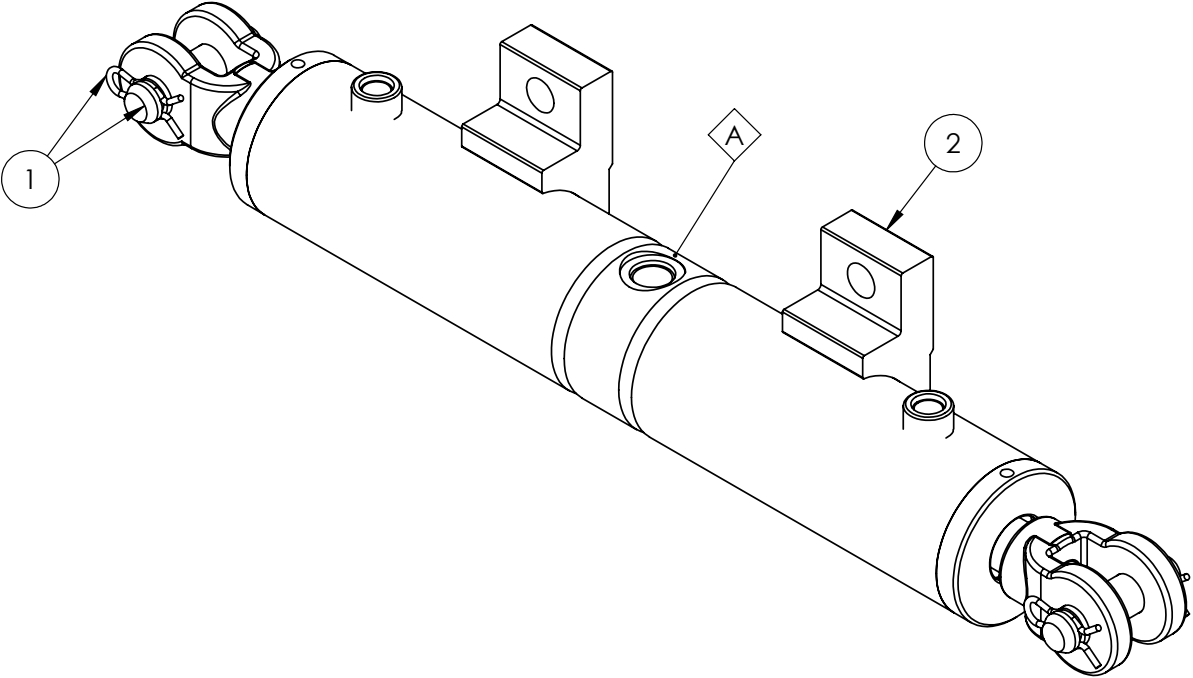
IF DESCRIPTION PREFIX IS ASSEMBLY DRAWING ONLY OR PRODUCTION DRAWING ONLY THE ITEM IS NOT FOR SALE			
ITEM	PART NUMBER	DESCRIPTION	QTY
1	GA3500683	HYDRAULIC CYLINDER, 1 1/2" BORE, 1" ROD, 182mm STROKE, BI-FOLD BREAKAWAY, TRITECH, MY20	1
	GA3500683	HYDRAULIC CYLINDER, 1 1/2" BORE, 1" ROD, 182mm STROKE, BI-FOLD BREAKAWAY, TRITECH, MY20	REV





Cylinder, Hydraulic, Centre Level

REPLACEMENT PARTS			
ITEM	PART NUMBER	DESCRIPTION	QTY
A	GA3501580	SEAL KIT, SUIT, HYDRAULIC CYLINDER, GA3500477, "BICELLI GECO" BRAND ONLY, 6325.SK	-

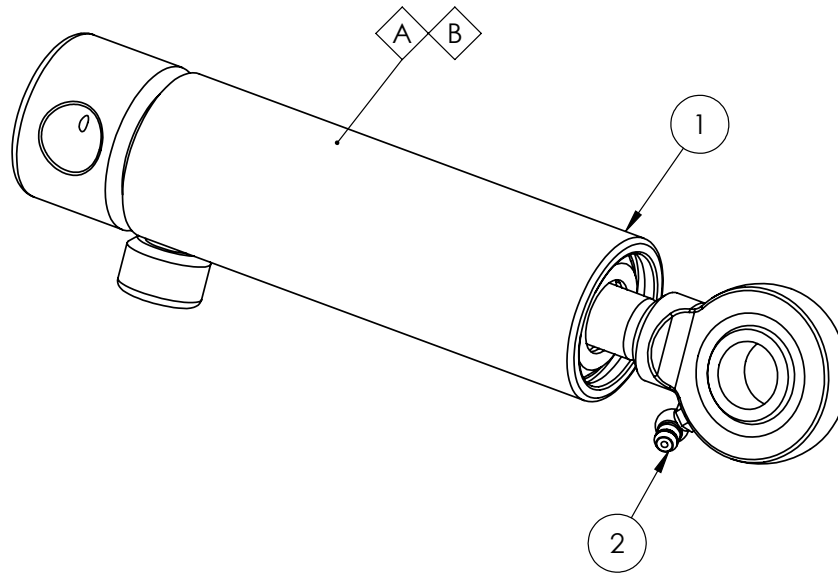


IF DESCRIPTION PREFIX IS ASSEMBLY DRAWING ONLY OR PRODUCTION DRAWING ONLY THE ITEM IS NOT FOR SALE			
ITEM	PART NUMBER	DESCRIPTION	QTY
1	GA3501582	PIN, 3/4" X 14mm, HYDRAULIC CYLINDER, GA3500477, "BICELLI GECO", BRAND ONLY	2
2	GA3501581	FOOT PAD, HYDRAULIC CYLINDER, CENTRE LEVEL, GA3500477, "BICELLI GECO" BRAND ONLY	2
GA3500477		HYDRAULIC CYLINDER, CENTRE LEVEL 2016	REV 00

Cylinder, Hydraulic, Boom Latch



REPLACEMENT PARTS			
ITEM	PART NUMBER	DESCRIPTION	QTY
A	GA3500671	SEAL KIT, HYDRAULIC CYLINDER, SUIT GA3500480, EUREKA ENGINEERED PRODUCTS	-
B	GA3501802	SEAL KIT, SUIT, HYDRAULIC CYLINDER, "MOTUS" BRAND ONLY, GA3500480	-

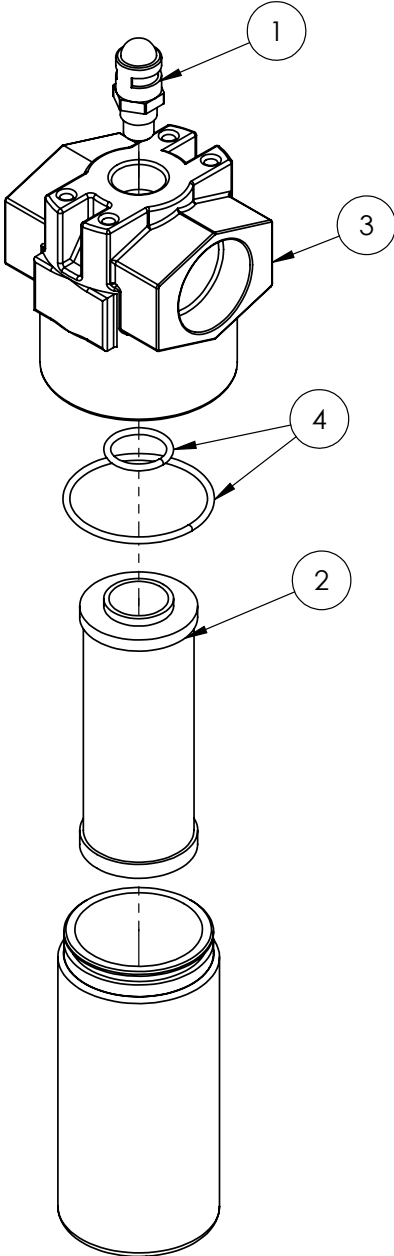


WARNING!
 HEAD UNDER SPRING FORCE.
 TAKE CARE ON ASSEMBLY AND DISASSEMBLY

IF DESCRIPTION PREFIX IS ASSEMBLY DRAWING ONLY OR PRODUCTION DRAWING ONLY THE ITEM IS NOT FOR SALE			
ITEM	PART NUMBER	DESCRIPTION	QTY
1	GA3500480	HYDRAULIC CYLINDER, BORE 1.5", ROD 0.75", STROKE 28mm, DISPLACEMENT, SPRING RETURN	1
2	GA5051970	GREASE NIPPLE, 6mm, 90 DEG	1
GA3500480		HYDRAULIC CYLINDER, BORE 1.5", ROD 0.75", STROKE 28mm, DISPLACEMENT, SPRING RETURN	REV 04

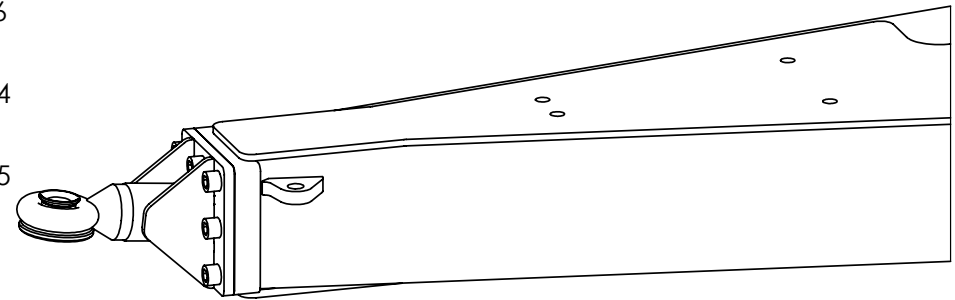
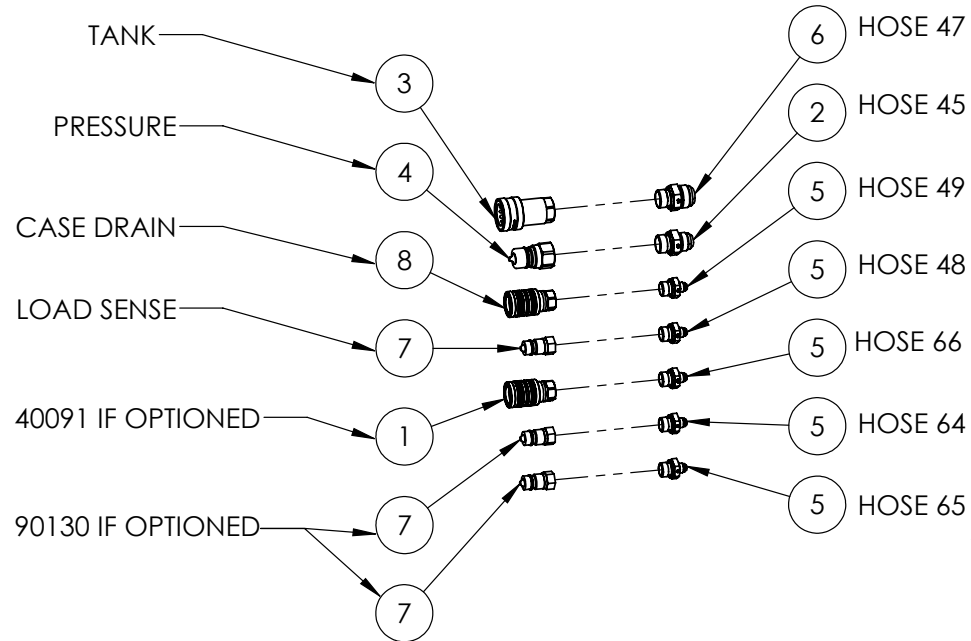


Hydraulic Pressure Filter, Hydac



IF DESCRIPTION PREFIX IS ASSEMBLY DRAWING ONLY OR PRODUCTION DRAWING ONLY THE ITEM IS NOT FOR SALE			
ITEM	PART NUMBER	DESCRIPTION	QTY
1	GA3501115	CLOGGING INDICATOR, HYDRAULIC PRESSURE FILTER, PRO S2, HYDAC, 316885	1
2	GA3501114	FILTER ELEMENT, HYDRAULIC PRESSURE FILTER, PRO, S2, HYDAC, 1250491	1
3	GA3500939	HYDRAULIC PRESSURE FILTER, 10 MICRON, MANUAL CLOGGING INDICATOR, HYDAC DF240	1
4	GA3501116	REPAIR SEAL KIT, HYDRAULIC PRESSURE FILTER, PRO S2, HYDAC, 305264	1
GA3500939		HYDRAULIC PRESSURE FILTER, 10 MICRON, MANUAL CLOGGING INDICATOR, HYDAC DF240	REV 00

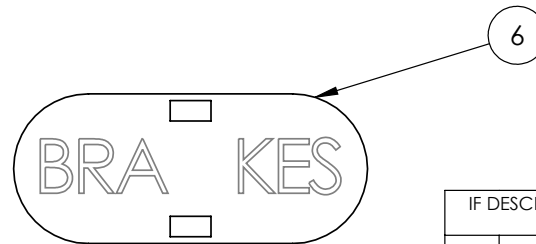
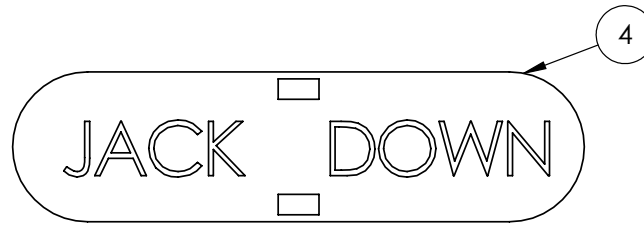
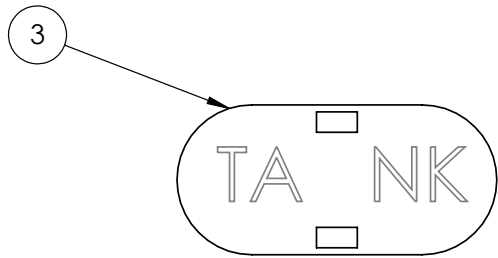
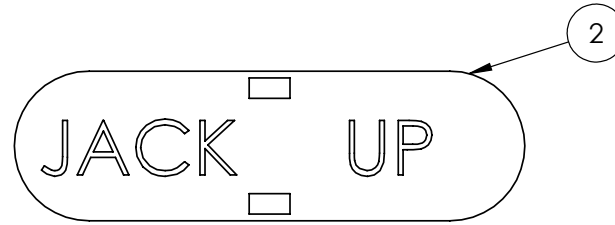
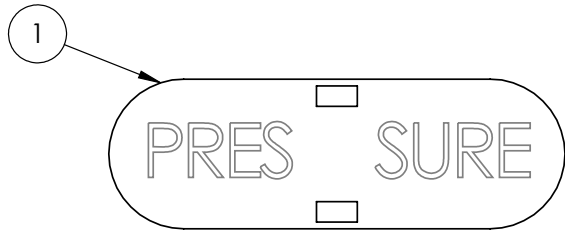
Hydraulic Fitting, Tractor Remote



IF DESCRIPTION PREFIX IS ASSEMBLY DRAWING ONLY OR PRODUCTION DRAWING ONLY THE ITEM IS NOT FOR SALE			
ITEM	PART NUMBER	DESCRIPTION	QTY
1	GA5077999	08 BSPPF FEMALE QRC/POPPET, R81-08F	1
2	GA3500711	HYDRAULIC ADAPTOR NIPPLE, 3/4" BSP O-RING X 1 1/16" JIC, S74-1217	1
3	GA3501093	HYDRAULIC ADAPTOR, 3/4" TYPE A QUICK COUPLER FEMALE X 3/4" BSPP FEMALE, R82-12F	1
4	GA3501092	HYDRAULIC ADAPTOR, 3/4" TYPE A QUICK COUPLER MALE X 3/4" BSPP FEMALE, R82-12M	1
5	GA3500718	HYDRAULIC ADAPTER, NIPPLE, 1/2" BSPP MALE X 9/16" JIC, S74-0809	5
6	GA3501140	HYDRAULIC ADAPTER, NIPPLE, 3/4" BSPP O-RING MALE X 1 5/16" JIC MALE, S74-1221	1
7	GA5078000	QUICK CONNECT FITTING, 1/2" MALE TIP X 1/2" FEMALE THREAD, R81-08M	3
8	GA5078001	QUICK RELEASE COUPLING, BALL CHECK VALVE, PUSH/PULL, FEMALE BODY, 1/2" BSPP FEMALE, R81-08P	1
GA4951570 ASSEMBLY DRAWING ONLY, TRACTOR REMOTES, HYDRAULIC FITTINGS, PRAIRIE PRO S2			REV 00.A

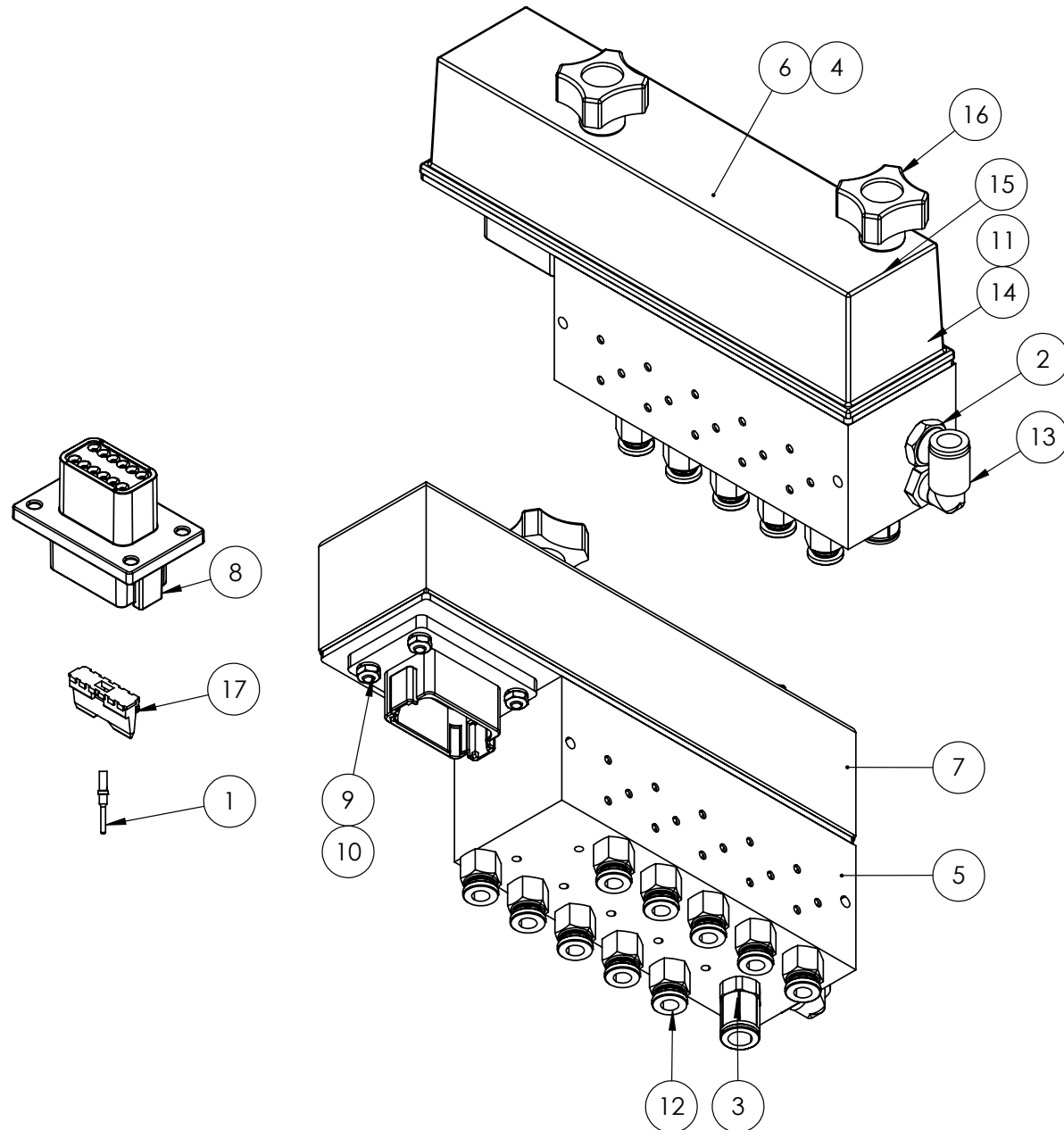


Hydraulic, ID Tags



IF DESCRIPTION PREFIX IS ASSEMBLY DRAWING ONLY OR PRODUCTION DRAWING ONLY THE ITEM IS NOT FOR SALE			
ITEM	PART NUMBER	DESCRIPTION	QTY
1	F71020A	HYDRAULIC HOSE ID TAG, PRESSURE	1
2	GA4410605	HYDRAULIC HOSE ID TAG, JACK UP	1
3	F71021A	HYDRAULIC HOSE ID TAG, TANK	1
4	GA4410610	HYDRAULIC HOSE ID TAG, JACK DOWN	1
5	F71022A	HYDRAULIC HOSE ID TAG, LOAD SENSE	1
6	F71026A	HYDRAULIC HOSE ID TAG, BRAKES	1
7	GA4404930	HYDRAULIC HOSE ID TAG, CASE DRAIN	1
GA7800084		HYDRAULIC HOSE LABELS, TRAILING SPRAYER	REV
GOLDACRES			00

Pneumatic Manifold



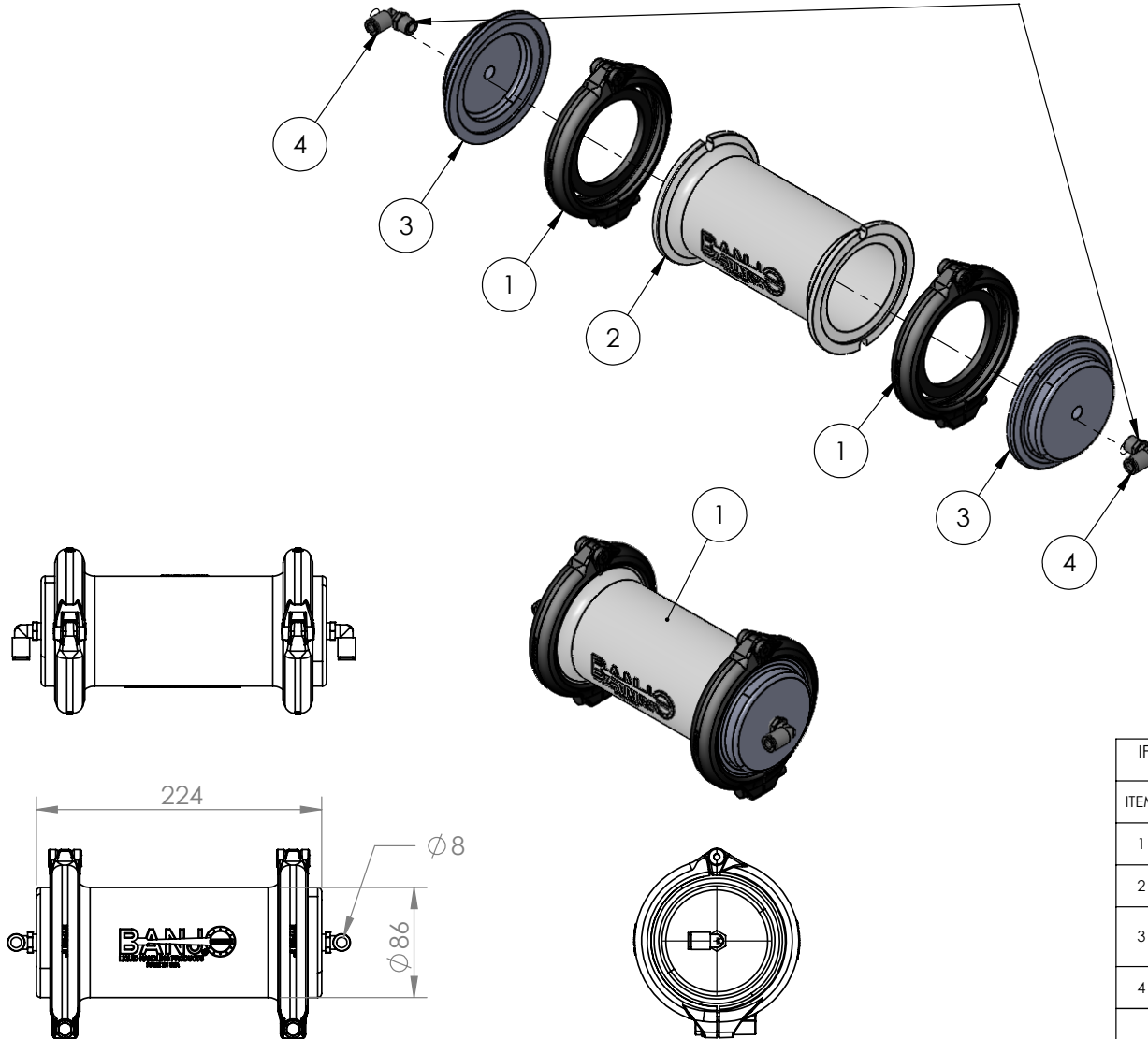
IF DESCRIPTION PREFIX IS ASSEMBLY DRAWING ONLY OR PRODUCTION DRAWING ONLY THE ITEM IS NOT FOR SALE			
1	GA5061200	PIN, MALE, SOLID, NICKEL, NUMBER 20, DEUTSCH	12
2	GA5071207	BREATHER, SILENCER, 1/4 BUTTON	1
3	GA3501188	PLUG, 1/4 BSPP, INTERNAL HEX	1
4	GA5074425	O-RING, NITRILE, BULLET VALVE 3/2, GA7000082	10
5	GA7000081	MANIFOLD, 10 SECTION, BLACK, GA7000029	1
6	GA7000082	PNEUMATIC VALVE, 3/2 BULLET, WITH DIODE AND LED, MAC	10
7	GA5074405	COVER, PNEUMATIC MANIFOLD, 10 SECTION, GA7000029	1
8	GA3000878	RECEPTACLE, 12 PINS, DT FLANGE MOUNT, DEUTSCH, DT04-12PA-L012	1
9	GA5049025	NUT M4 NYLOC SS	4
10	GA5011363	SHCS M4 X 16 GR12.9 ZP	4
11	GA5074410	GASKET, MANIFOLD COVER, 1.5mm RUBBER, GA7000029	1
12	GA5071195	STRAIGHT ADAPTOR PUSH IN 6mm X 1/8 MALE THREAD	10
13	GA5052690	PNEUMATIC FITTING, ELBOW, 90 DEGREE, 1/4 BSP MALE X 8mm PUSH IN TYPE, METAL	1
14	GA5074415	RETAINER PLATE, BULLET VALVE, GA7000029	1
15	GA5074420	ROD, COVER MOUNT, BULLET VALVE MANIFOLD, M6 MALE X M6 FEMALE, GA7000029	2
16	GA0500124	STAR BOLT, M6 X 10mm MALE	2
17	GA5070590	WEDGE LOCK, GREEN, 12 WAY SUIT PINS, DEUTSCH	1
GA7000029		PNEUMATIC MANIFOLD, RAPID FIRE, 10 SECTION, BULLET VALVE	REV 00.B





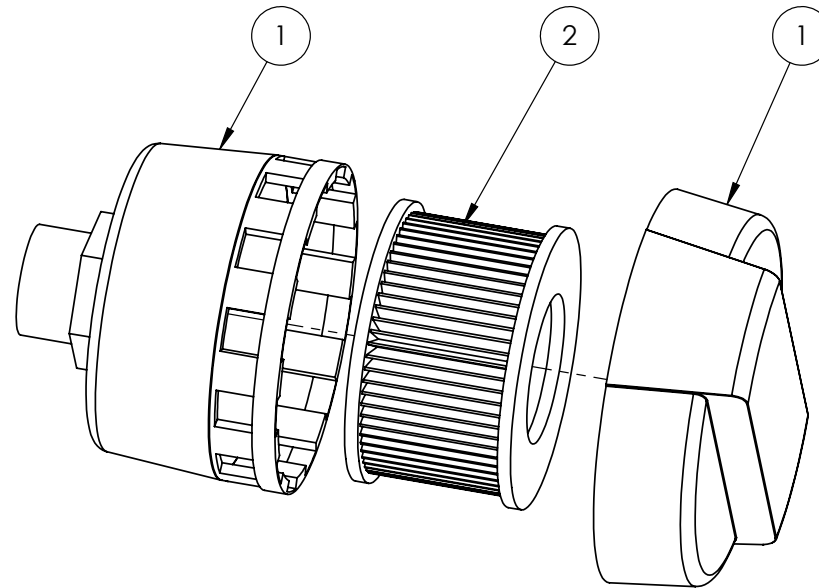
Air Tank, 0.9L, 10 Bar, Rapid Fire

USE LOCTITE 55 SEALING CORD
PART NUMBER GA5020305



IF DESCRIPTION PREFIX IS ASSEMBLY DRAWING ONLY OR PRODUCTION DRAWING ONLY THE ITEM IS NOT FOR SALE			
ITEM	PART NUMBER	DESCRIPTION	QTY
1	GA2000116	FLANGE CLAMP, AND GASKET, 3", SERIES 300, HYPRO	2
2	GA2000139	PLUMBING FITTING, 3" X 3" FULL PORT FLANGE X 7" LONG, BANJO M300CPG7	1
3	GA2000140	PLUMBING FITTING, 3" MANIFOLD PLUG WITH 1/4" BSP FEMALE, FLANGE, MADE FROM GA5077880 BANJO M300PLG	2
4	GA5052690	PNEUMATIC FITTING, ELBOW, 90 DEGREE, 1/4 BSP MALE X 8mm PUSH TYPE, METAL	2
GA4949330		AIR TANK, 0.9L, PLASTIC, 10 BAR, SUIT RAPID FIRE 3TS PRO	REV 01

Air Filter, 1”



ITEM 1 COMES COMPLETE
WITH FILTER ELEMENT

IF DESCRIPTION PREFIX IS ASSEMBLY DRAWING ONLY OR PRODUCTION DRAWING ONLY THE ITEM IS NOT FOR SALE			
ITEM	PART NUMBER	DESCRIPTION	QTY
1	GA5005259	AIR FILTER, 1 BSP MALE THREAD	1
2	GA5049460	FILTER ELEMENT, SUIT GA5005259, HYDAC	1
GA5005259		AIR FILTER ASSEMBLY	REV

