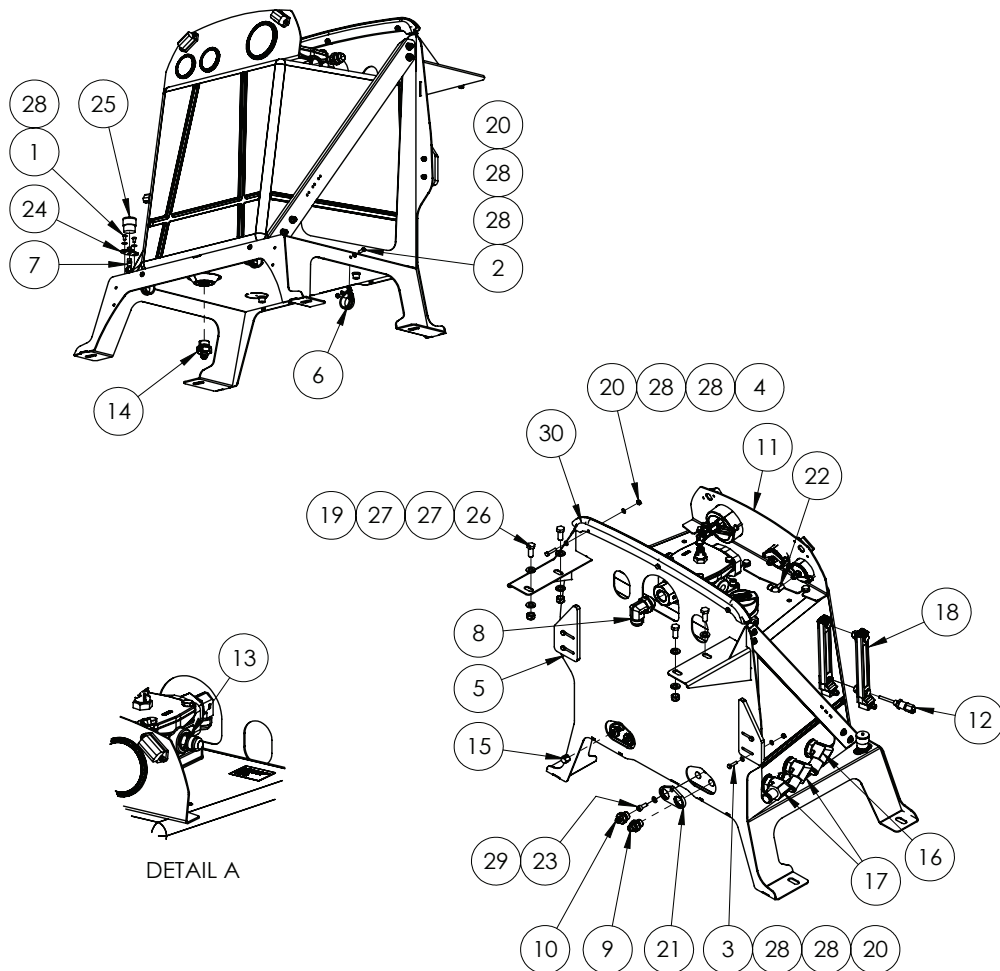


Chapter 18

HYDRAULICS

Hydraulic Oil Tank Assembly



ITEM NO.	PART NUMBER	DESCRIPTION	QTY.
1	GA5004023	BHCS M6 X 10 SS A2-70	2
2	GA5004047	BHCS M6 X 16 GR12.9 ZP	3
3	GA5004073	BOLT M6 X 25 GR8.8 ZP	4
4	GA5004077	BOLT M6 X 30 GR8.8 ZP	3
5	GA5072695	BONNET SIDE SUPPORT PLASTIC SLIDER	2
6	GA5048090	CLAMP P 35MM 56487	3
7	GA5045145	PNEUMATIC FITTING, SWIVEL ELBOW, PUSH IN 6MM, BRASS 1/8" BSPT	1
8	GA3500732	HYDRAULIC ADAPTOR, ELBOW, 90 DEGREE, 1 5/16" JIC MALE X 1" BSPP MALE O-RING, S76-1621	1

* Sub-assembly on following pages
 ~ See Chapter 20 'Engine & Transmission'

Continued over page

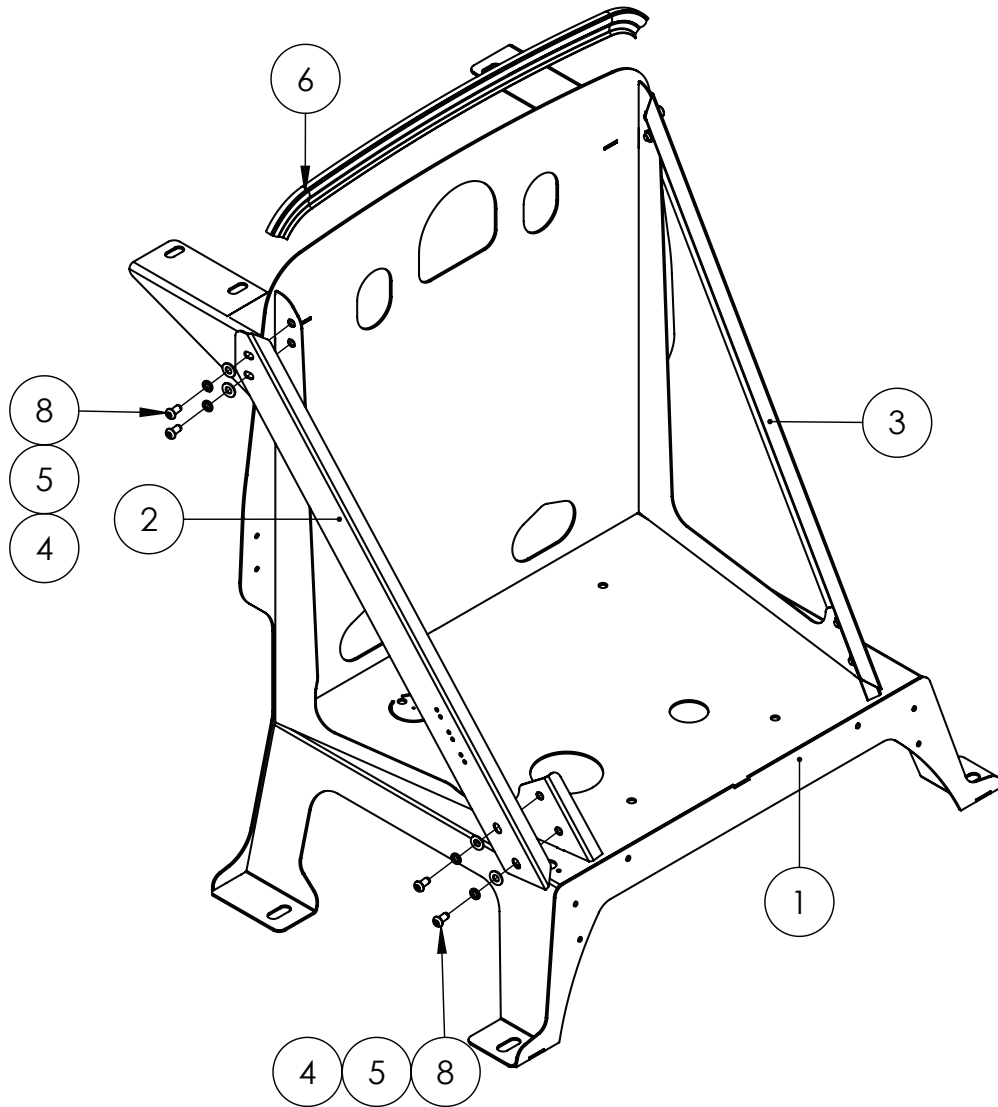
Hydraulic Oil Tank Assembly

ITEM NO.	PART NUMBER	DESCRIPTION	QTY.
9	GA3500861	HYDRAULIC ADAPTOR NIPPLE, 1/2" BSPP O-RING MALE X 3/4" JIC MALE, S74D-0812	1
10	GA3500860	HYDRAULIC ADAPTOR NIPPLE, 1/2" BSPP O-RING MALE X 9/16" JIC MALE, S74D-0809	3
11	GA3500694	HYDRAULIC OIL RESERVOIR AND FRAME, MY20, HYDAC	1
12	GA3500321	HYDRAULIC ADAPTOR, ELBOW, 90 DEGREE, 1/4" BSPT MALE X 3/8" BSPP MALE O-RING, S77-0406	1
13	GA3500720	HYDRAULIC ADAPTER, NIPPLE, 1/2" BSPP O-RING MALE X 1 1/16" JIC MALE, S74-0817	1
14	GA3500787	HYDRAULIC ADAPTER, NIPPLE, 3/4" BSPP O-RING MALE C/W RETAINING RING X 3/4" JIC MALE, S74D-1212	1
15	GA3500793	HYDRAULIC ADAPTOR, CAP, 9/16" JIC FEMALE, S65-09	1
16	GA3500775	HYDRAULIC BARB COUPLING, ELBOW, 1" BSPP O-RING, 1 1/4" BARB MALE, RA12S-90-1620, HANSA-FLEX	1
17	GA3500774	HYDRAULIC BARB COUPLING, ELBOW, 1" BSPP O-RING, 1" BARB MALE, RA12S-90-1616, HANSA-FLEX	2
18	GA3000495	LEVEL GAUGE, WITH LOW LEVEL SWITCH, OIL RESERVOIR, HYDAC, FSK-176-2.4/0/-/12/-S079/-SEW-90	1
19	GA5012461	NUT M12 NYLOC ZP	4
20	GA5048115	NUT M6 NYLOC ZP	10
21	GA4405270	PLATE, OIL RESERVOIR FRONT PORT SUPPORT A	2
22	GA7000015	PNEUMATIC FITTING, FEMALE 1/4" BSPP X 8MM PUSH IN, FEMALE STUD ELBOW	1
23	GA5004707	SHCS M8 X 20 GR12.9 ZP	3
24	GA5070470	MOUNTING FLANGE DONALDSON AIR CLEANER SERVICE INDICATOR REMOTE	1
25	GA5010525	SERVICE INDICATOR KIT 25, SUIT CROP CRUISER AND G3 G4	1
26	GA5000305	SET SCREW M12 X 30 GR8.8 ZP	4
27	GA5000577	WASHER M12 FLAT SS HD	8
28	GA5004437	WASHER M6 FLAT SS	22
29	GA5003643	WASHER M8 FLAT SS HD	3
30	GA5074205	WEAR STRIP, BONNET TOP, SERIES 2 G6	1

* Sub-assembly on following pages

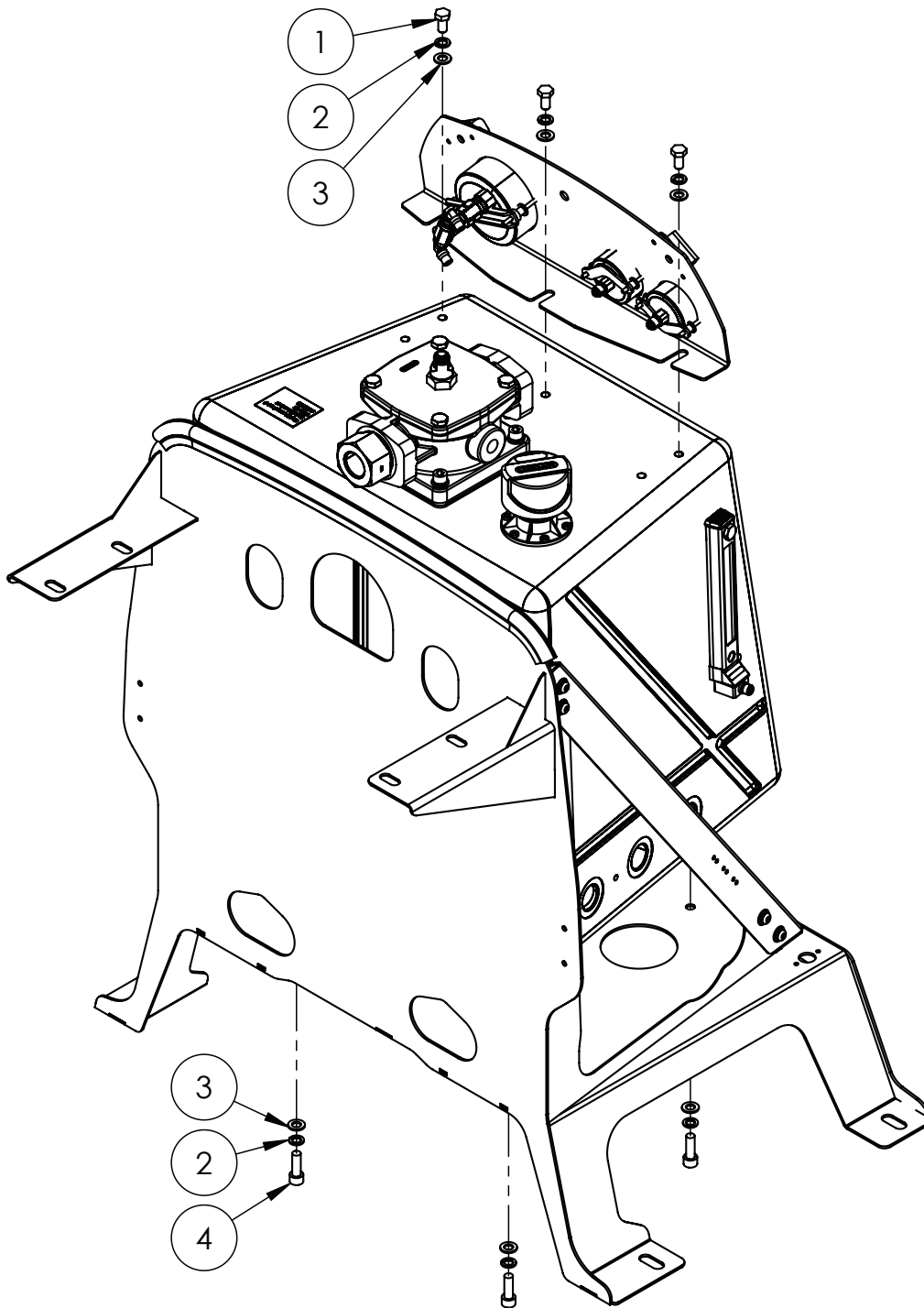
~ See Chapter 20 'Engine & Transmission'

Hydraulic Oil Tank Frame



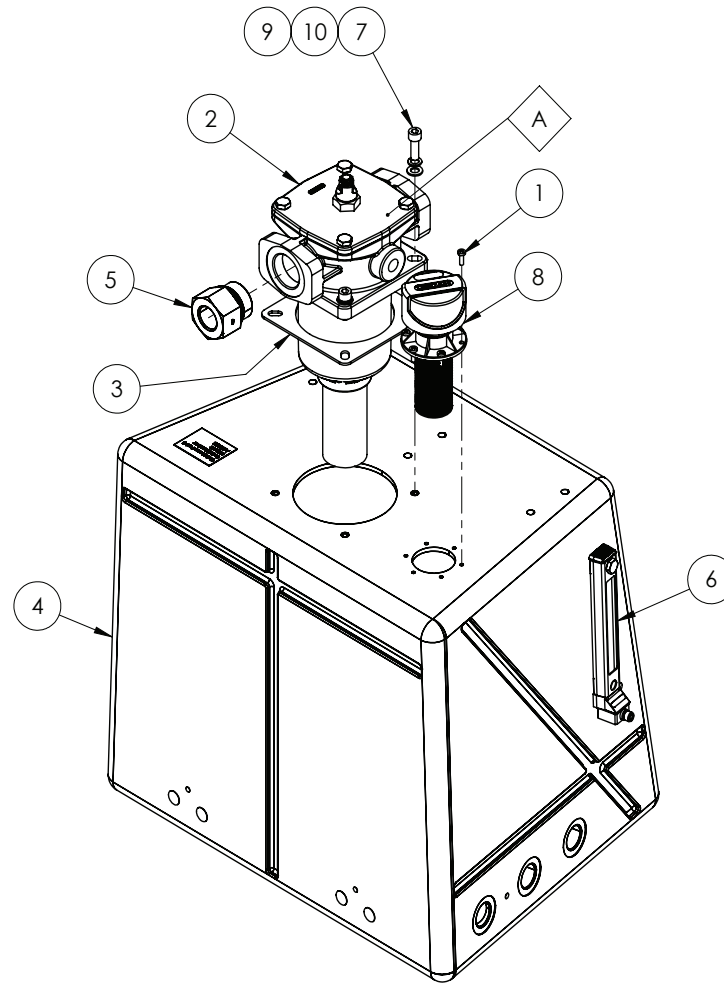
ITEM NO.	PART NUMBER	DESCRIPTION	QTY.
1	GA4602300	FRAME, HYDRAULIC OIL RESERVOIR	1
2	GA4405300	PLATE, OIL RESERVOIR GUSSET, BOLT ON, LH	1
3	GA4405305	PLATE, OIL RESERVOIR GUSSET, BOLT ON, RH	1
4	GA5003643	WASHER 8MM FLAT SS HD	8
5	GA5004919	WASHER 8MM SPRING SS	8
6	GA5072700	PINCHWELD, TOP BLISTER, 16.3MM X 30MM - CUT TO 660 MM	1
7	GA5050690	SHCS M8 X 16 GR12.9 ZP	4
8	GA5004696	BHCS M8 X 16 SS A2-70	4

Hydraulic Oil Tank Mounting



ITEM NO.	PART NUMBER	DESCRIPTION	QTY.
1	GA5006113	BOLT M10 X 20 GR8.8 ZP	3
2	GA5000137	WASHER 10MM SPRING SS	7
3	GA5000117	WASHER 10MM FLAT SS HD	7
4	GA5006129	SHCS M10 X 30 GR12.9 ZP	4

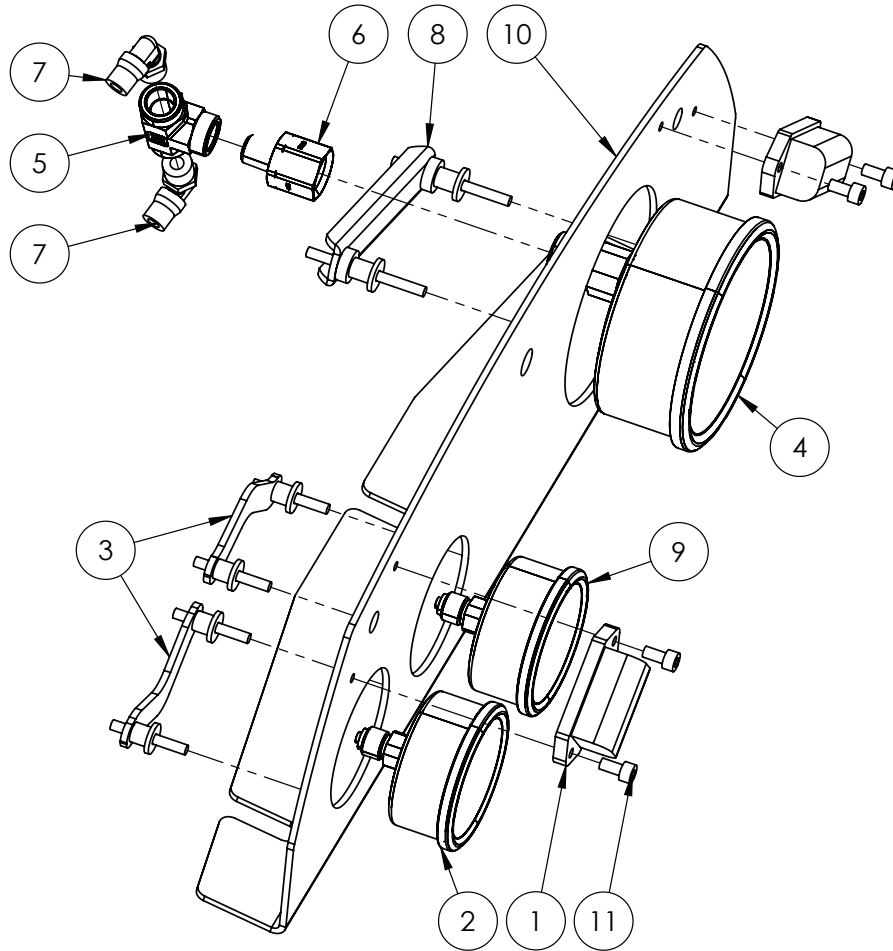
Hydraulic Oil Tank



ITEM NO.	PART NUMBER	DESCRIPTION	QTY.
A	GA5069056	FILTER ELEMENT, HYDRAULIC RETURN TO SUIT TANK MOUNTED FILTER GA5069055, HYDAC	1
1	GA5003977	BOLT PAN HEAD M5 X 16 SS A2-70	6
2	GA5069055	FILTER, HYDRAULIC RETURN, TANK TOP, RFM ON 330 V F 10 B 3.0/-V125-SO682, HYDAC	1
3	GA5070580	SEAL KIT, GASKET AND O RING, HYDRAULIC OIL RETURN FILTER HOUSING, HYDAC	1
4	GA3500692	HYDRAULIC OIL RESERVOIR, BARE, WITH CASE DRAIN PORTS, MY20	1
5	GA3500191	HYDRAULIC ADAPTOR, REDUCING BUSH, 1 1/2" BSPP MALE X 1" BSPP FEMALE, SI02-2416	1
6	GA3000495	LEVEL GAUGE, WITH LOW LEVEL SWITCH, OIL RESERVOIR, HYDAC, FSK-176-2.4/0/-/12/-S079/-SEW-90	1
7	GA5006129	SHCS M10 X 30 GR12.9 ZP	4
8	GA5078873	TANK BREATHER FILTER WITH FILLER STRAINER, HYDAC, BREATHER ELF P 30 F W 1.0/-AS	1
9	GA5000117	WASHER 10MM FLAT SS HD	4
10	GA5000137	WASHER 10MM SPRING SS	4

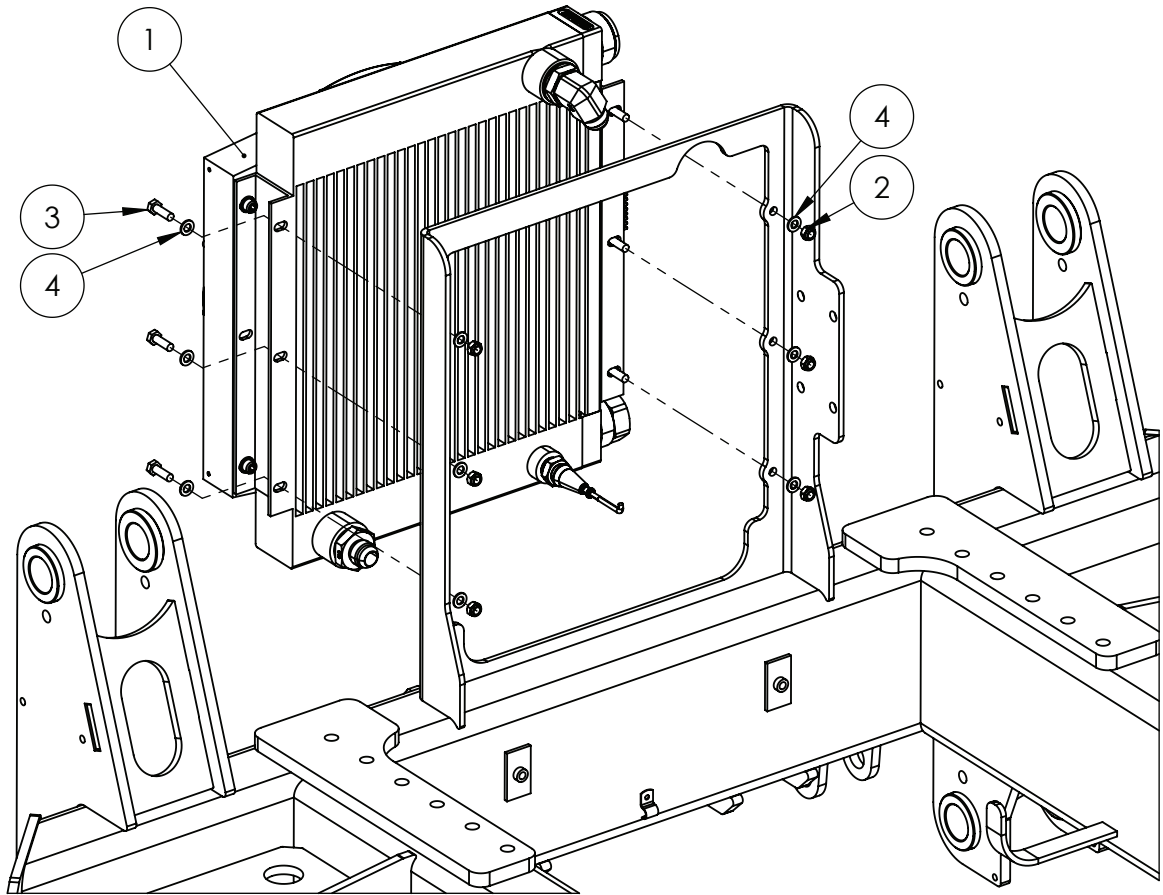
* Sub-assembly on following pages

Hydraulic Oil Tank Gauges



ITEM NO.	PART NUMBER	DESCRIPTION	QTY.
-	GA3500824	HYDRAULIC HOSE, GAUGE LINE, CHASSIS MANIFOLD TO GAUGE, G6 MY20	1
1	GA5075430	LIGHT, LED, GAUGE LIGHT, OIL RESERVOIR, HYDAC	2
2	GA3500693	GAUGE PRESSURE, REAR MOUNT, 160 PSI / 10 BAR, 63MM FACE, 1/4" MALE THREAD	1
3	GA5075455	GAUGE RETAINER, MOUNTING BRACKET, 63MM GAUGE	2
4	GA5075420	GAUGE PRESSURE, REAR MOUNT, 10BAR, 100MM FACE, 3/8" MALE THREAD	1
5	GA3500242	HYDRAULIC ADAPTOR, TEE, 1/4" BSPT FEMALE X 1/4" BSPT FEMALE X 1/4" BSPT FEMALE	1
6	S72N-0406	HYDRAULIC ADAPTOR, 3/8" BSPT FEMALE TO 1/4" BSPT MALE	1
7	GA5016233	PNEUMATIC FITTING, ELBOW, 90 DEGREE, 1/4 BSP MALE X 6MM PUSH IN TYPE, METAL	2
8	GA5075460	GAUGE RETAINER, MOUNTING BRACKET, 100MM GAUGE	1
9	GA3501149	GAUGE PRESSURE, REAR MOUNT, 3500PSI, 250BAR, 63MM FACE, G 1/4" HINTEN, 6007003	1
10	GA4405295	PLATE, GAUGE PLATE, OIL RESERVOIR	1
11	GA5069975	SHCS M5 X 10 SS A2-70	4

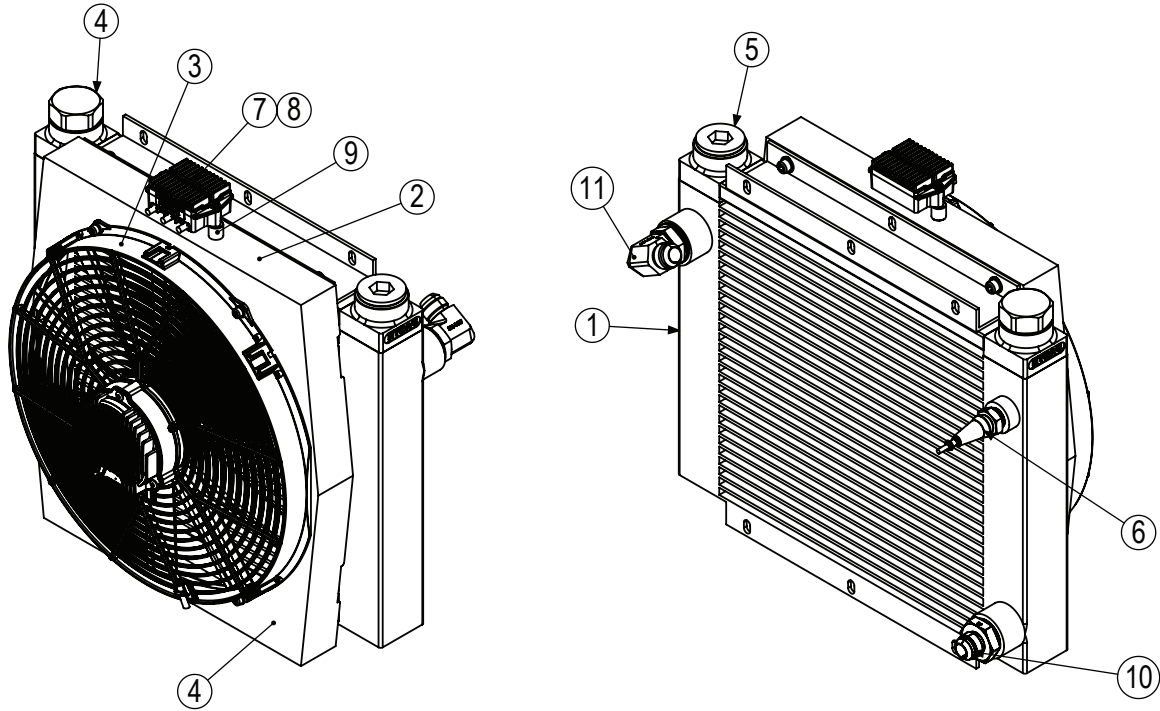
Hydraulic Oil Cooler Mounting



ITEM NO.	PART NUMBER	DESCRIPTION	QTY.
1	GA3500708*	COOLER COMPLETE, HYDRAULIC OIL, THERMAL BYPASS, 12V THERMOFAN	1
2	GA5004917	NUT M8 NYLOC ZP	6
3	GA5004711	BOLT M8 X 25 GR8.8 ZP	6
4	GA5003643	WASHER 8MM FLAT SS HD	12

* Sub-assembly on following pages

Hydraulic Oil Cooler Assembly

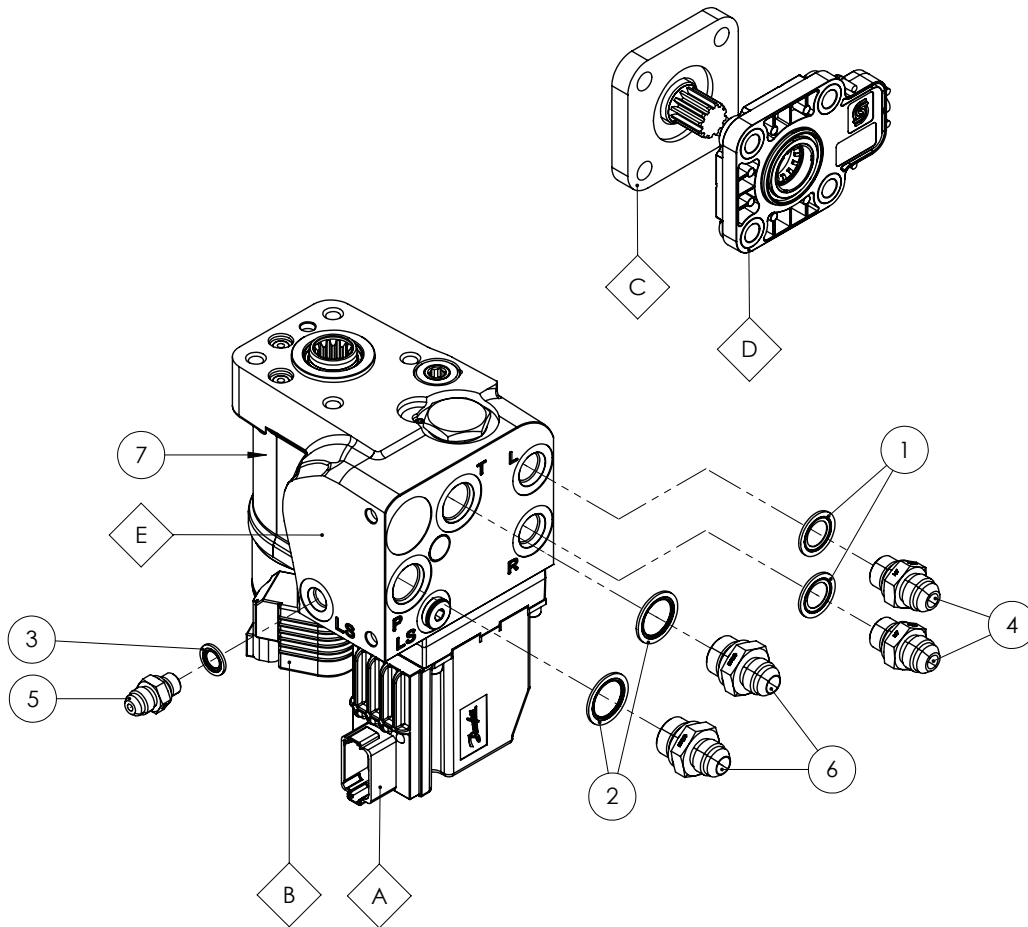


COOLER COMPLETE

PART NUMBER	DESCRIPTION
GA3500708	COOLER COMPLETE, HYDRAULIC OIL, THERMAL BYPASS, 12V THERMOFAN

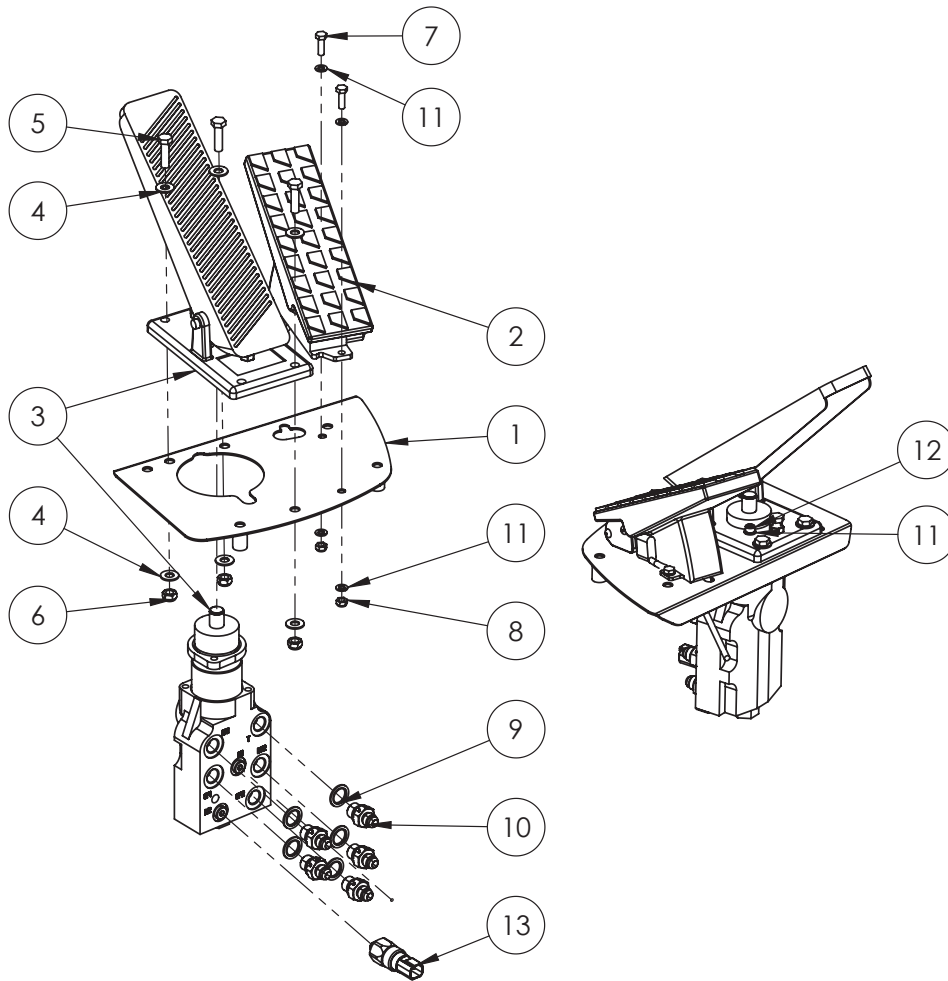
ITEM NO.	PART NUMBER	DESCRIPTION	QTY.
1	GA3500871	RADIATOR CORE	1
2	GA5025815	HOUSING, SUIT, OIL COLLER, HYDAC, 3083883	1
3	GA3500872	FAN, 385MM, 12V	1
4	GA5078933	INTERGRATED BYPASS THERMO, IBT45-3, HYDAC, 3193660	1
5	GA5025820	PLUG G1-1/4"	1
6	GA3500873	THERMISTOR, M22X1.5, WITH CABLE & CONNECTOR	1
7	GA3500874	ELECTRONIC FAN SPEED CONTROLLER	1
8	GA5025825	KIT ESC THERMO ELECTRIC SHIELD	1
9	GA5025830	VIBRATION MOUNT 15X15 M5	2
10	GA3500735	HYDRAULIC ADAPTOR, NIPPLE, 1" BSPP O-RING MALE X 1/16" JIC MALE	1
11	GA3500781	HYDRAULIC ADAPTER, NIPPLE, 1 1/16" JIC MALE X 1" BSPP O-RING MALE	1

Steering Orbital Assembly



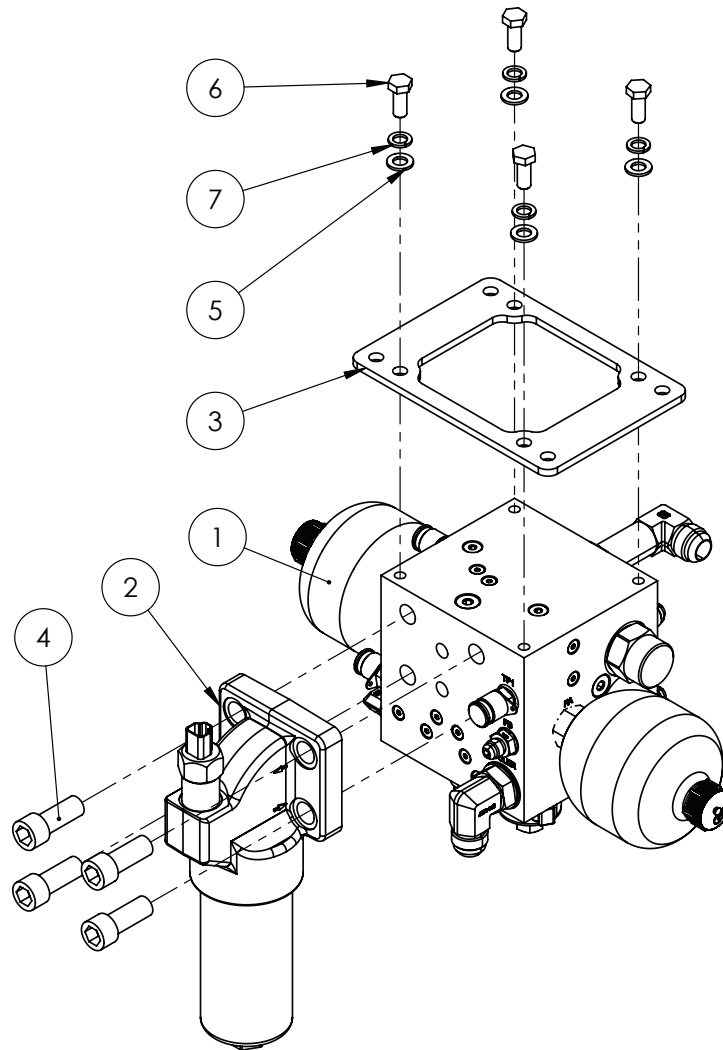
ITEM NO.	PART NUMBER	DESCRIPTION	QTY.
A	GA3500875	ELECTRO HYDRAULIC ACTUATOR PVE, SUIT GA3500706, DANFOSS	-
B	GA3500876	LOCKOUT SOLENOID, SUIT GA3500706, DANFOSS	-
C	GA5078541	SPLINE ADAPTOR, STEERING COLUMN SHAFT, SUIT OSPEC, DANFOSS	-
D	GA3000338	SENSOR, STEERING KICK OUT, SASA, DANFOSS	-
E	GA3501146	SEAL KIT, COMPLETE STEERING ORBITAL GA3500706, OSPE DANFOSS	-
1	GA5077886	HYDRAULIC SEAL, METAL BONDED, M18, MBD-18	2
2	GA3500727	HYDRAULIC ADAPTOR, SEAL, METAL BONDED, M22, MBD-22	2
3			1
4	GA3500728	HYDRAULIC ADAPTOR, NIPPLE, 3/4" JIC MALE X M18 X 1.5 MALE, M7-1812	
5	GA3500725	HYDRAULIC ADAPTOR, SEAL, METAL BONDED, M12, MBD-12	1
6	GA3500726	HYDRAULIC ADAPTOR, NIPPLE, 3/4" JIC MALE X M22 X 1.5 MALE, M7L-2212	2
7	GA3500706	STEERING ORBITAL, 250CC, AUTO STEER, OSPE DANFOSS	

Brake Pedal Assembly



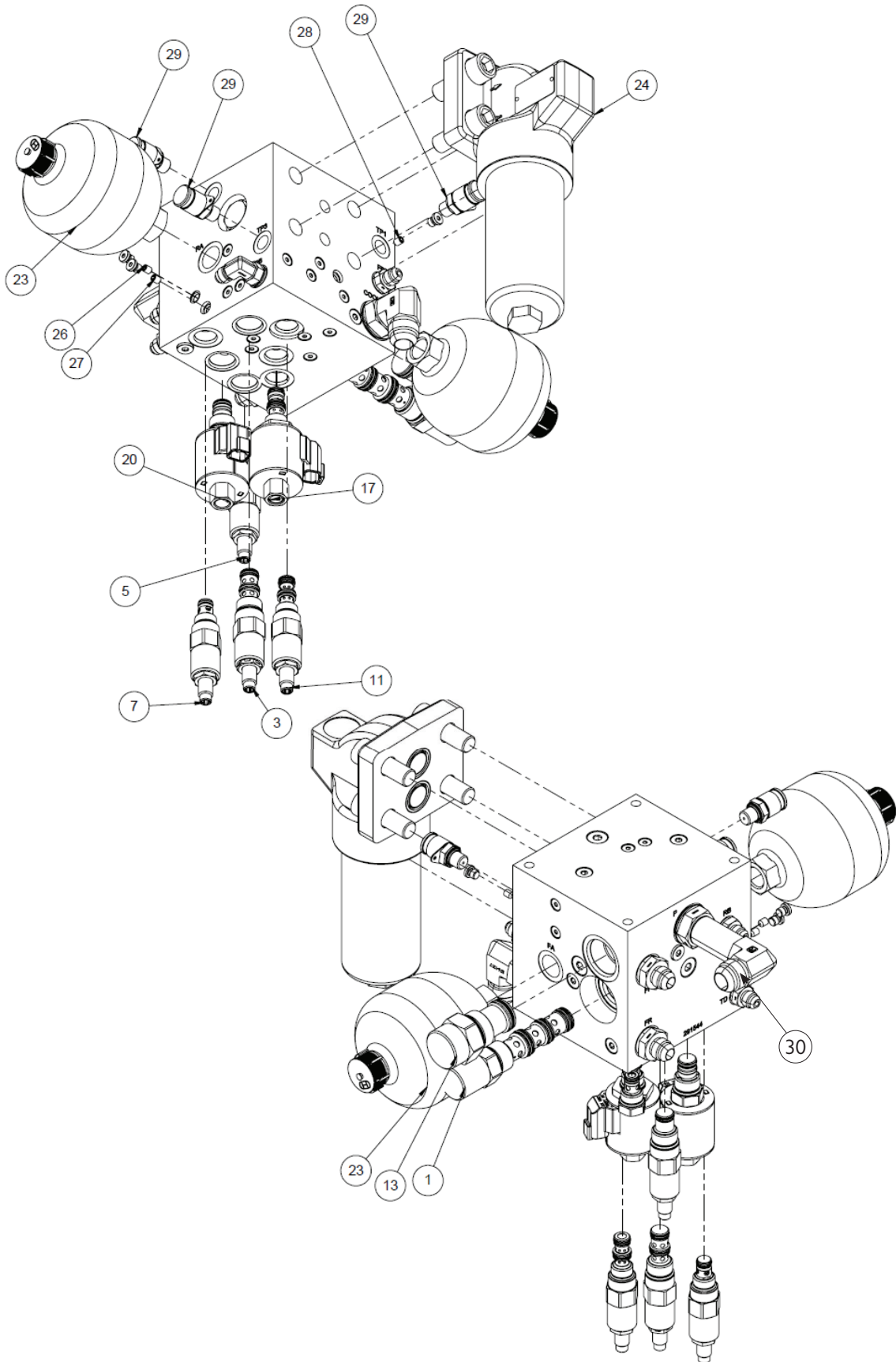
ITEM NO.	PART NUMBER	DESCRIPTION	QTY.
1	GA4600270	ACCELERATOR AND BRAKE PEDAL MOUNT	1
2	GA5065460	THROTTLE PEDAL ELECTRONIC, FOOT, WITH IDLE VALIDATION	1
3	GA3500826	BRAKE PEDAL AND VALVE, TANDEM CIRCUIT, 150 BAR, BOSCH REXROTH	1
4	GA5003643	WASHER 8MM FLAT SS HD	6
5	GA5011475	BOLT M8 X 30 GR8.8 ZP	3
6	GA5052590	NUT M8 NYLOC SS	3
7	GA5004063	BOLT M6 X 20 SS A-70	2
8	GA5048115	NUT M6 NYLOC ZP	2
9	GA3500129	HYDRAULIC ADAPTOR, SEAL, METAL BONDED, M16	5
10	GA3500714	HYDRAULIC ADAPTER, NIPPLE, 9/16" JIC MALE X M16X1.5 MALE	5
11	GA5004437	WASHER 6MM FLAT SS	6
12	GA5004061	SHCS M6 X 25 SS A2-70	2
13	GA3000066	PRESSURE SWITCH, HYDRAULIC, NO 1/8", 1-10 BAR	1

Manifold - Brake & Fan



ITEM NO.	PART NUMBER	DESCRIPTION	QTY.
1	GA3500685	HYDRAULIC MANIFOLD ASSEMBLY, BRAKE CHARGER AND FAN CONTROL	1
2	GA3500705	HYDRAULIC PRESSURE FILTER ASSEMBLY, 10 MICRON, 4 BOLT FLANGE MOUNT, ELECTRONIC CLOGGING INDICATOR	1
3	GA4406170	PLATE, MOUNT, HYDRAULIC MANIFOLD, BRAKE AND FAN	1
4	GA5000925	SHCS M16 X 40 GR12.9 ZP	4
5	GA5000117	WASHER 10MM FLAT SS HD	4
6	GA5006161	BOLT M10 X 25 GR8.8 ZP	4
7	GA5000137	WASHER 10MM SPRING SS	4

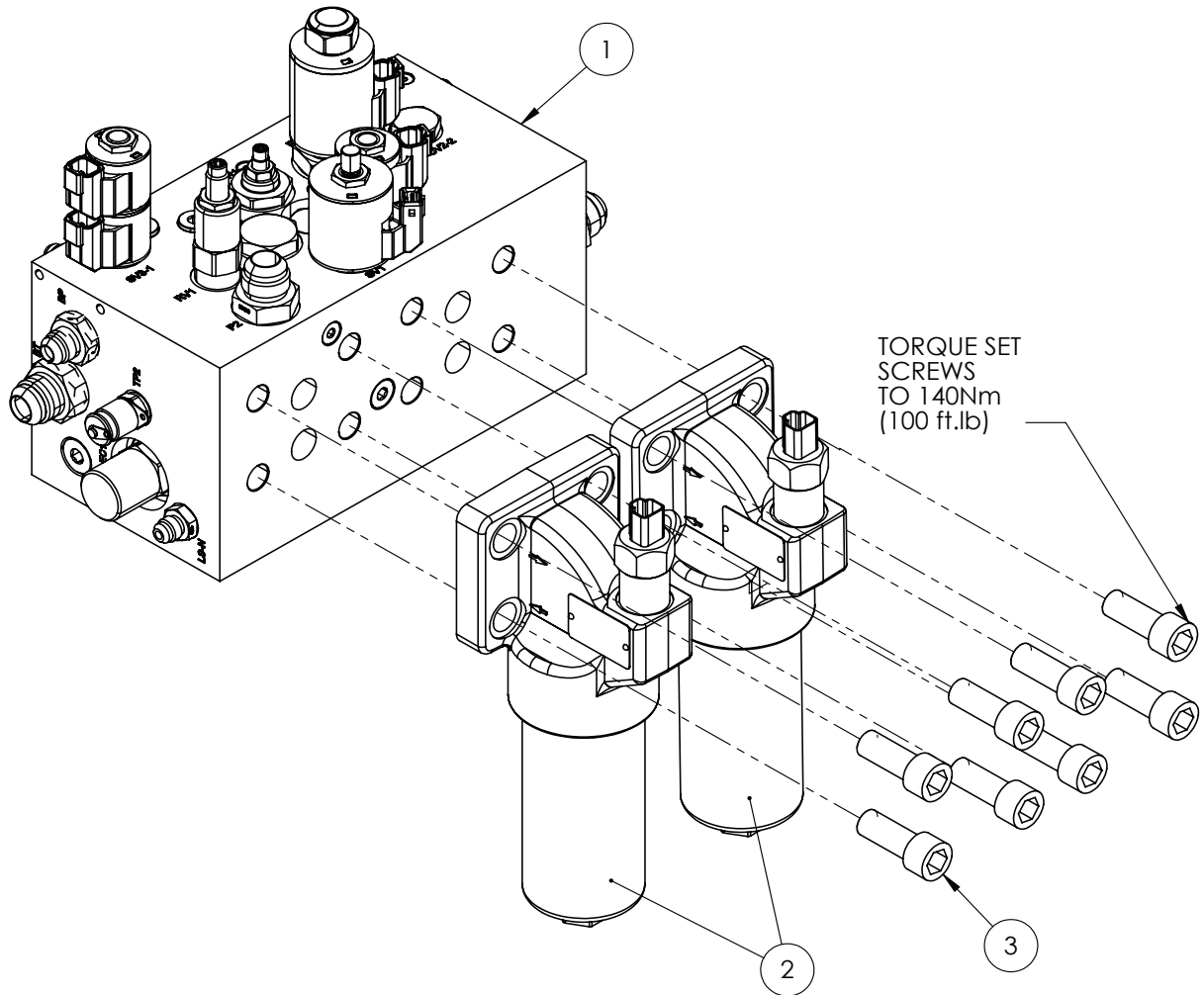
Manifold - Brake & Fan



Manifold - Brake & Fan

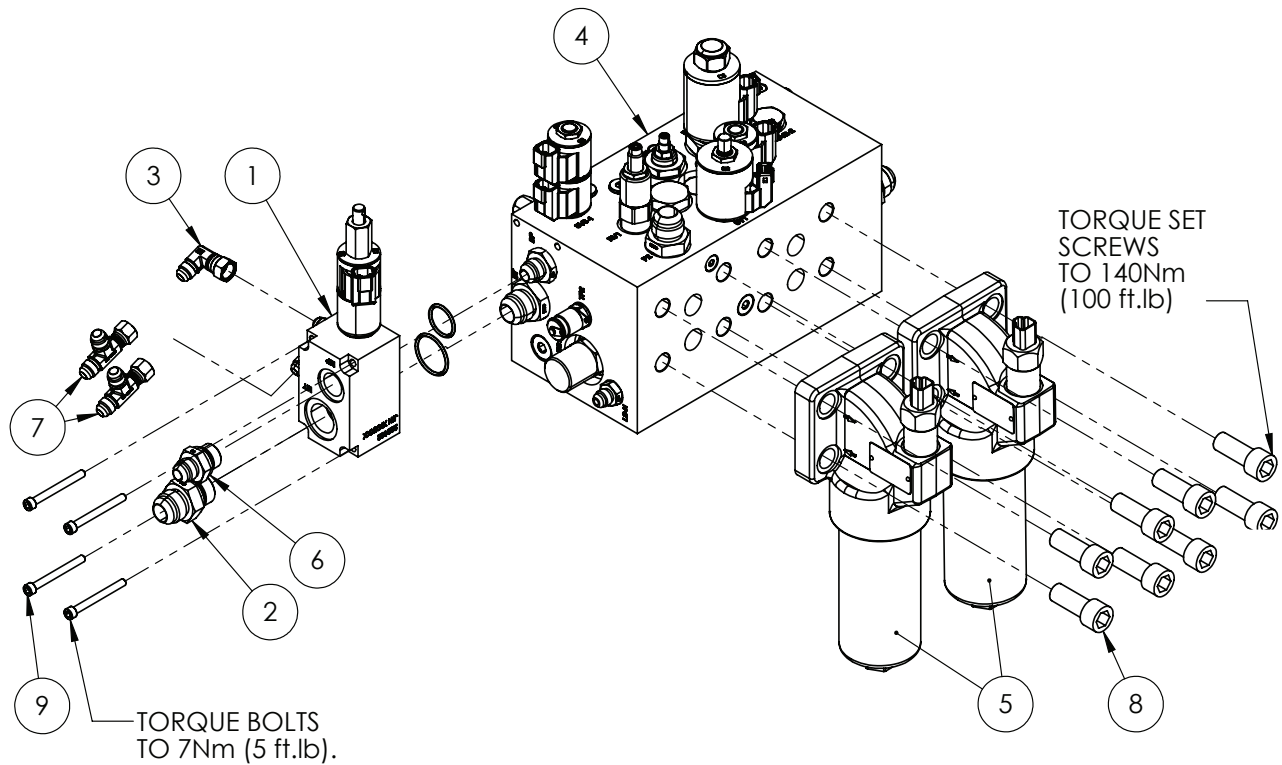
ITEM NO.	PART NUMBER	DESCRIPTION	QTY.
1	GA3501577	VALVE, HYDRAULIC, PRESSURE COMPENSATOR, OILPATH, EC12-42-0-N-160	1
1.1	GA3500906	SEAL KIT, OILPATH, SK12-4N-MMM	
3	GA3500897	HYDRAULIC CARTRIDGE, UNLOADER VALVE, OILPATH, UPI0-31A-0-N-80-30	1
3.1	GA3500920	SEAL KIT, OILPATH, SK10-3N-BM	
5	GA3500903	HYDRAULIC CARTRIDGE, RELIEF VALVE, OILPATH, RV10-26A-0-N-30	1
5.1	GA3500904	SEAL KIT, OILPATH, SK10-2N-B	
7	GA3500921	HYDRAULIC CARTRIDGE, RELIEF VALVE, OILPATH, RV08-29A-0-N-35	1
7.1	GA3500916	SEAL KIT, OILPATH, SK08-2N-T/B	
9	GA3500923	HYDRAULIC CARTRIDGE, CHECK VALVE, OILPATH, CV08-20-0-N-04	1
9.1	GA3500885	SEAL KIT, OILPATH, SK-2N-T	
11	GA3500891	HYDRAULIC CARTRIDGE, PRESSURE REDUCING VALVE, OILPATH, PR58-38A-0-P-20	1
11.1	GA3500892	SEAL KIT, OILPATH, SK08-3N-BM	
13	GA3500899	HYDRAULIC CARTRIDGE, CHECK VALVE, OILPATH, CV16-20T-0-N-150	1
13.1	GA3500900	SEAL KIT, OILPATH, SK16-2N-T	
15	GA3500924	HYDRAULIC CARTRIDGE, LOAD SENSE SHUTTLE VALVE, OILPATH, LSI0-41-0-N	1
15.1	GA3500925	SEAL KIT, OILPATH, SK10-4N-TBX	
17	GA3500926	HYDRAULIC CARTRIDGE, SOLENOID VALVE, OILPATH, SV38-38-0-N-00	1
17.1	GA3500927	SEAL KIT, OILPATH, SK38-3N-MM	
17.2	GA3000579	COIL, 12V DC, OILPATH, 4303712	
20	GA3500928	HYDRAULIC CARTRIDGE, PRESSURE RELIEVING PROPORTIONAL VALVE, OILPATH, TS10-27A-0-N-00	1
20.1	GA3500904	SEAL KIT, OILPATH, SK10-2N-B	
20.2	GA3000577	COIL, 12V DC, OILPATH, 4303712	
23	GA3500929	HYDRAULIC ACCUMULATOR, 0.5L, 90BAR, OILPATHSTDA050-NBR-P3-B-MI	2
24	GA3500705	HYDRAULIC PRESSURE FILTER ASSEMBLY, 10 MICRON, 4 BOLT FLANGE MOUNT, ELECTRONIC CLOGGING INDICATOR, HYDAC	1
25	GA3500895	ORIFICE PLUG, 1/8" BSPT, 2.5MM	1
26	GA3500930	ORIFICE PLUG, M6 X 8MM, 0.5MM	1
27	GA3500931	GRUB SCREW, M6 X 8MM, BLANKING PLUG	1
28	GA3500932	ORIFICE PLUG, M6 X 8MM, 0.8MM	1
29	GA3500133	HYDRAULIC COUPLING, EASY TEST POINT, 1/4" BSPP	3
30	GA3500792	HYDRAULIC ADAPTOR, ELBOW, 90 DEGREE, EXTENSION, 1 1/16" JIC MALE X 3/4" BSPP MALE O-RING, S70-1217	

Manifold - Chassis - Fixed Axle - 36m-42m



ITEM NO.	PART NUMBER	DESCRIPTION	QTY.
1	GA3500678	HYDRAULIC MANIFOLD ASSEMBLY, CHASSIS CONTROL, INCLUDES STEERING PRIORITY, PUMP SPEED CONTROL AND LOAD SENSE	1
2	GA3500705	HYDRAULIC PRESSURE FILTER ASSEMBLY, 10 MICRON, 4 BOLT FLANGE MOUNT, ELECTRONIC CLOGGING INDICATOR, HYDAC	2
3	GA5000925	SHCS M16 X 40 GR12.9 ZP	8

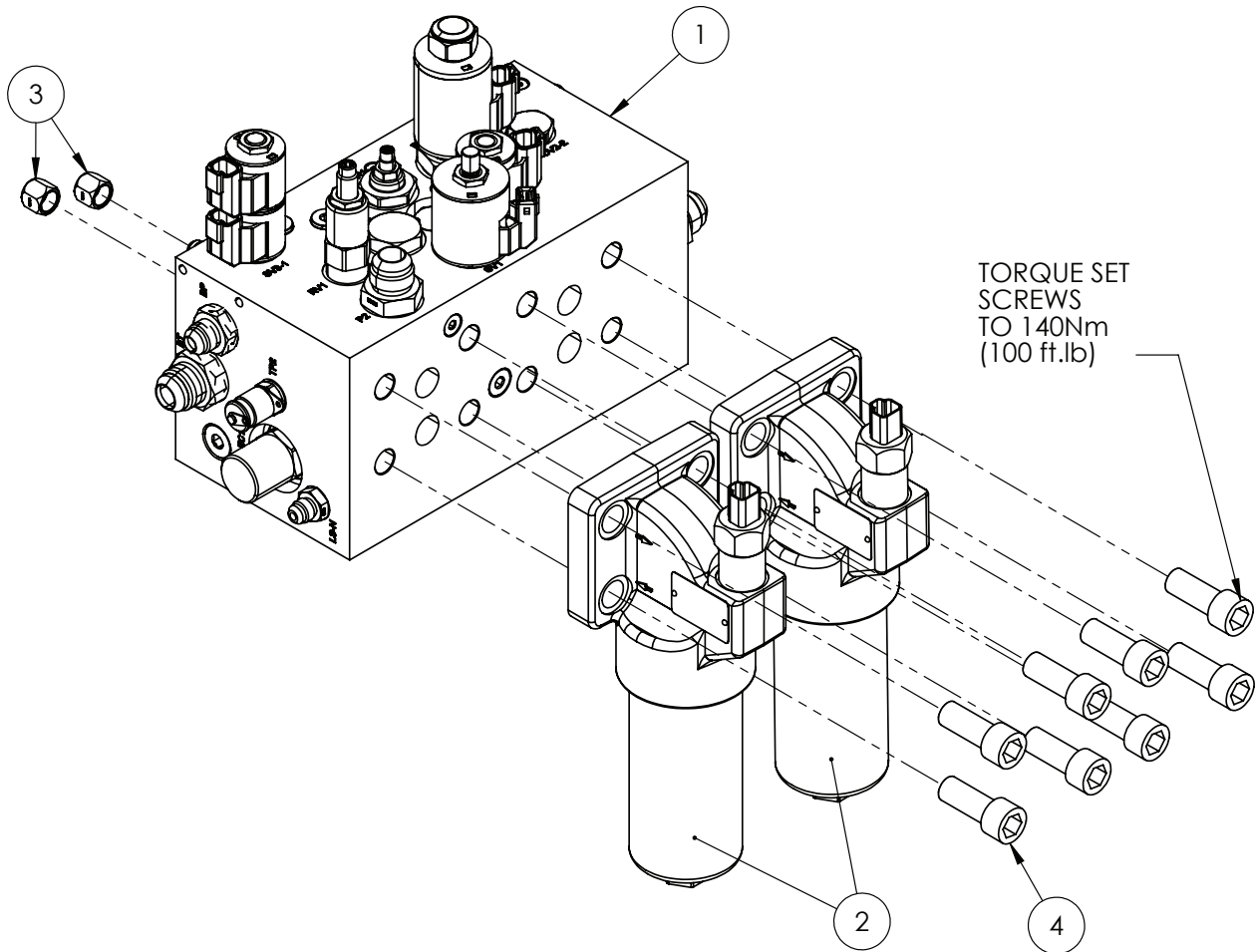
Manifold - Chassis - Adjustable Axle - 36m-42m



ITEM NO.	PART NUMBER	DESCRIPTION	QTY.
1	GA3501084	EXPANSION MODULE, INCL. SV08-47DM-0-N-12ER, 3-4m AXLES, G6, MY21	1
2	GA3500711	HYDRAULIC ADAPTOR NIPPLE, 3/4" BSP O-RING X 1 1/16" JIC, S74-1217	1
3	GA3500002	HYDRAULIC COUPLING, ELBOW, 90 DEGREE, 9/16" MALE JIC, 9/16" FEMALE SWIVEL JIC	1
4	GA3500678	HYDRAULIC MANIFOLD ASSEMBLY, CHASSIS CONTROL, INCLUDES STEERING PRIORITY, PUMP SPEED CONTROL AND LOAD SENSE	1
5	GA3500705	HYDRAULIC PRESSURE FILTER ASSEMBLY, 10 MICRON, 4 BOLT FLANGE MOUNT, ELECTRONIC CLOGGING INDICATOR, HYDAC	2
6	GA3500303	HYDRAULIC ADAPTER, NIPPLE, 1/2" BSPP O-RING MALE X 3/4" JIC MALE, S74-0812	1
7	GA3500144	HYDRAULIC ADAPTOR, TEE, 9/16" JIC MALE X 9/16" JIC MALE X 9/16" JIC FEMALE SWIVEL, S67-090909	2
8	GA5000925	SHCS M16 X 40 GR12.9 ZP	8
9	GA5070460	SHCS M6 X 60 SS A2-70	4

Continue Over Page

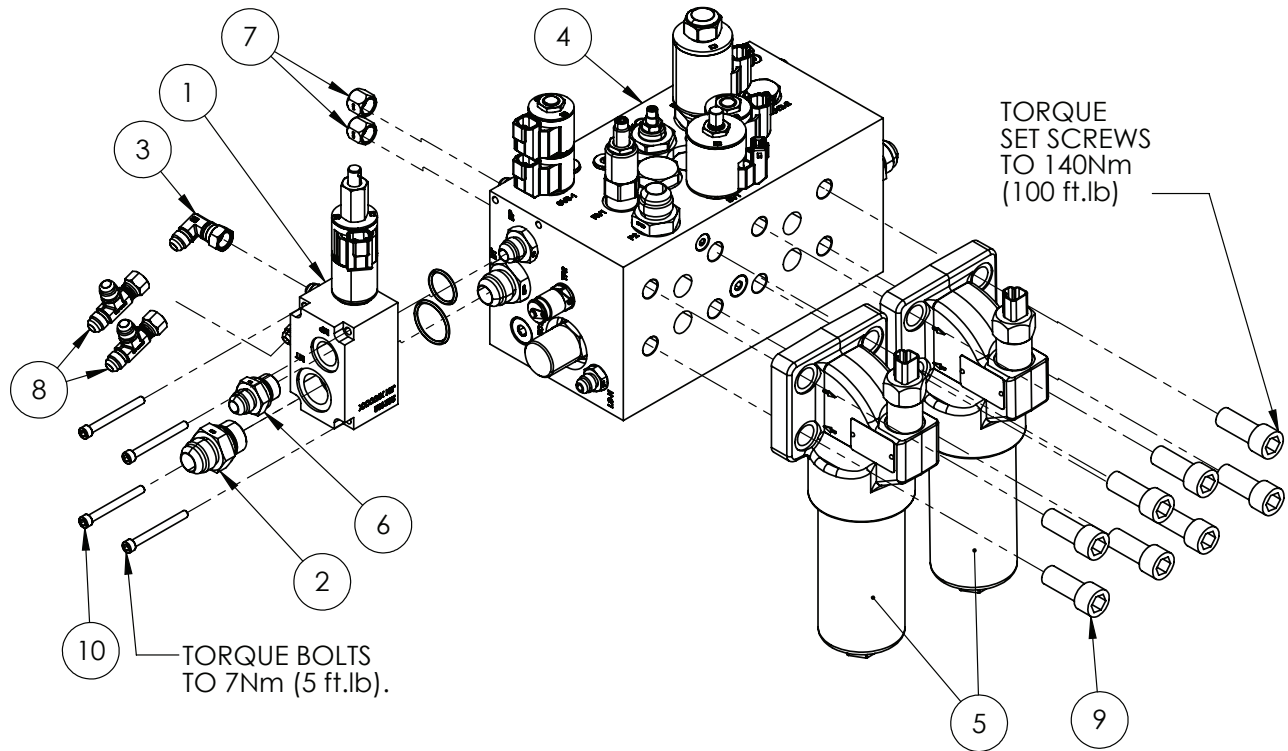
Manifold - Chassis - Fixed Axle - 48m



ITEM NO.	PART NUMBER	DESCRIPTION	QTY.
1	GA3500678	HYDRAULIC MANIFOLD ASSEMBLY, CHASSIS CONTROL, INCLUDES STEERING PRIORITY, PUMP SPEED CONTROL AND LOAD SENSE	1
2	GA3500705	HYDRAULIC PRESSURE FILTER ASSEMBLY, 10 MICRON, 4 BOLT FLANGE MOUNT, ELECTRONIC CLOGGING INDICATOR, HYDAC	2
3	GA3500793	HYDRAULIC ADAPTOR, CAP, 9/16" JIC FEMALE, S65- 09	2
4	GA5000925	SHCS M16 X 40 GR12.9 ZP	8

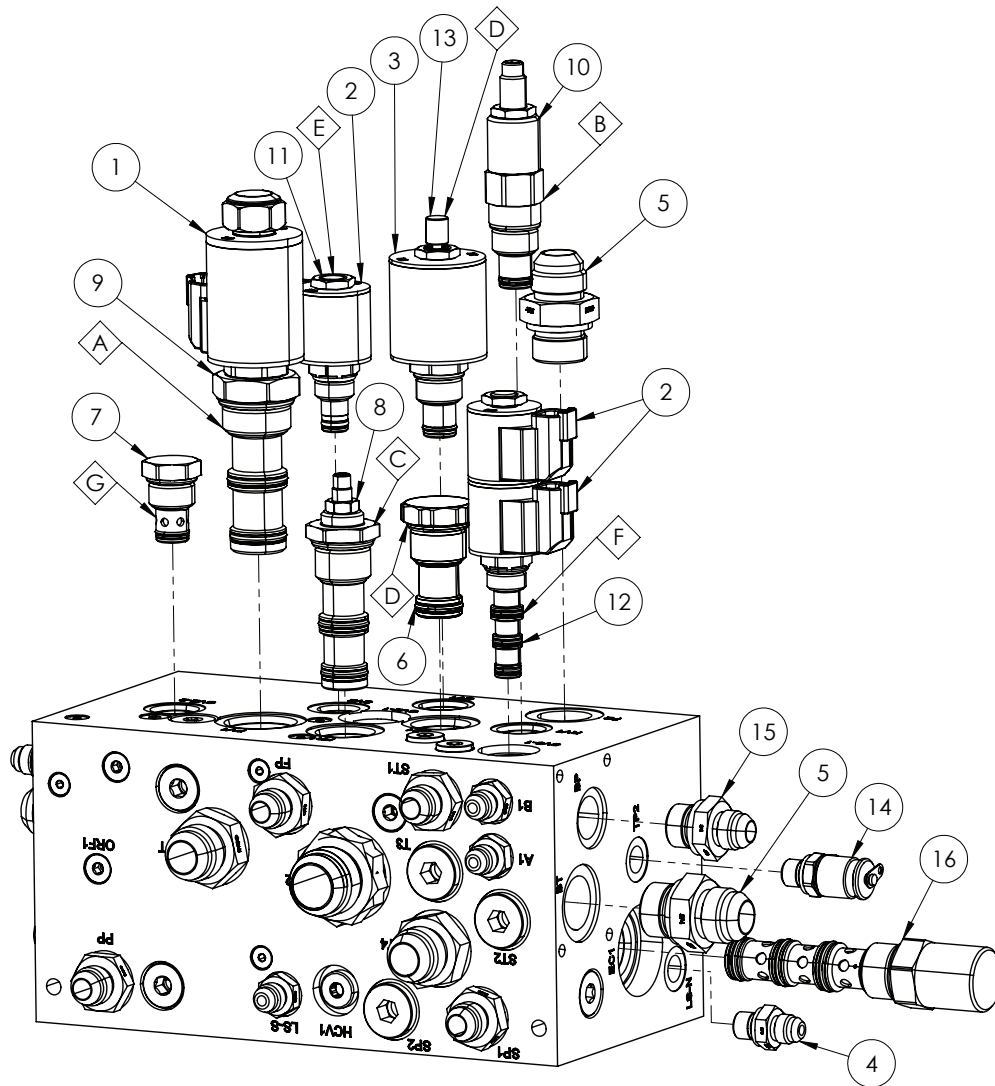
Continue Over Page

Manifold - Chassis - 3-4m - Adjustable Axle - 48m



ITEM NO.	PART NUMBER	DESCRIPTION	QTY.
1	GA3501084	EXPANSION MODULE, INCL. SV08-47DM-0-N-12ER, 3-4m AXLES, G6, MY21	1
2	GA3500711	HYDRAULIC ADAPTOR NIPPLE, 3/4" BSP O-RING X 1 1/16" JIC, S74-1217	1
3	GA3500002	HYDRAULIC COUPLING, ELBOW, 90 DEGREE, 9/16" MALE JIC, 9/16" FEMALE SWIVEL JIC	1
4	GA3500678	HYDRAULIC MANIFOLD ASSEMBLY, CHASSIS CONTROL, INCLUDES STEERING PRIORITY, PUMP SPEED CONTROL AND LOAD SENSE	1
5	GA3500705	HYDRAULIC PRESSURE FILTER ASSEMBLY, 10 MICRON, 4 BOLT FLANGE MOUNT, ELECTRONIC CLOGGING INDICATOR, HYDAC	2
6	GA3500303	HYDRAULIC ADAPTER, NIPPLE, 1/2" BSPP O-RING MALE X 3/4" JIC MALE, S74-0812	1
7	GA3500793	HYDRAULIC ADAPTOR, CAP, 9/16" JIC FEMALE, S65-09	2
8	GA3500144	HYDRAULIC ADAPTOR, TEE, 9/16" JIC MALE X 9/16" JIC MALE X 9/16" JIC FEMALE SWIVEL, S67-090909	2
9	GA5000925	SHCS M16 X 40 GR12.9 ZP	8
10	GA5070460	SHCS M6 X 60 SS A2-70	4

Manifold - Chassis



ITEM NO.	PART NUMBER	DESCRIPTION	QTY.
A	GA3500902	SEAL KIT, OILPATH, SK16-3N-MM	-
B	GA3500904	SEAL KIT, OILPATH, SK10-2N-B	-
C	GA3500908	SEAL KIT, OILPATH, SK12-3N-MM	-
D	GA3500910	SEAL KIT, OILPATH, SK10-2N-T	-
E	GA3500883	SEAL KIT, OILPATH, SK08-2N-M	-
F	GA3500894	SEAL KIT, OILPATH, SK08-4N-MMM	-
G	GA3500916	SEAL KIT, OILPATH, SK08-2N-T/B	-
1	GA3000578	COIL, 12V DC, OILPATH, 4303212	1
2	GA3000579	COIL, 12V DC, OILPATH, 4303612	3
3	GA3000577	COIL, 12V DC, OILPATH, 4303712	1
4	GA3500544	HYDRAULIC ADAPTOR NIPPLE, 1/4" BSP O-RING X 9/16" JIC, S74-0409	5
5	GA3500711	HYDRAULIC ADAPTOR NIPPLE, 3/4" BSP O-RING X 1 1/16" JIC, S74-1217	6

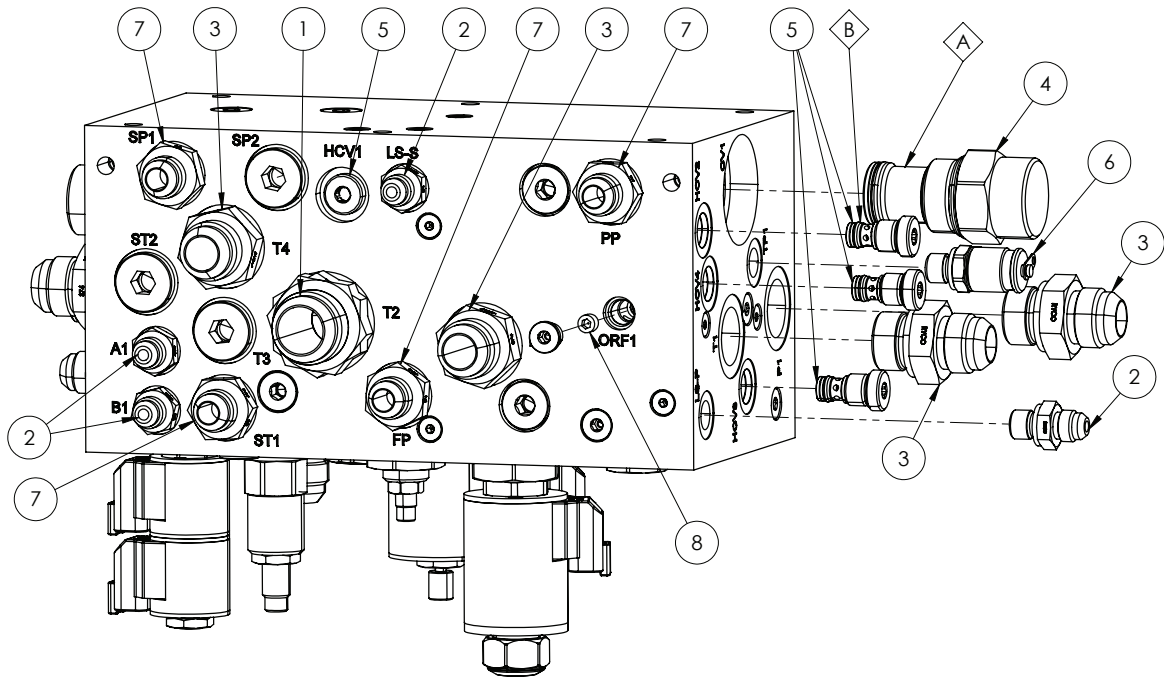
Continue Over Page

Manifold - Chassis

ITEM NO.	PART NUMBER	DESCRIPTION	QTY.
6	GA3500909	HYDRAULIC CARTRIDGE, CAVITY PLUG, OILPATH, CPI2-20-N	1
7	GA3500884	HYDRAULIC CARTRIDGE, CHECK VALVE, OILPATH, CV10-20-0-N-05	2
8	GA3500907	HYDRAULIC CARTRIDGE, PRIORITY VALVE ADJUSTABLE, OILPATH, FR12-33A-0-N/M45.0	1
9	GA3500901	HYDRAULIC CARTRIDGE, PROPORTIONAL VALVE, OILPATH, PV76-30AG-0-N-00	1
10	GA3500903	HYDRAULIC CARTRIDGE, RELIEF VALVE, OILPATH, RV10-26A-0-N-30	1
11	GA3500912	HYDRAULIC CARTRIDGE, SOLENOID VALVE, OILPATH, SV08-26-0-N-00	1
12	GA3500913	HYDRAULIC CARTRIDGE, SOLENOID VALVE, OILPATH, SV08-47C-0-N-00	1
13	GA3500911	HYDRAULIC CARTRIDGE, SOLENOID VALVE, OILPATH, SV10-20M-0-N-00	1
14	GA3500133	HYDRAULIC COUPLING, EASY TEST POINT, 1/4" BSPP	2
15	GA3500303	HYDRAULIC ADAPTER, NIPPLE, 1/2" BSPP O-RING MALE X 3/4" JIC MALE, S74-0812	5
16	GA3501577	VALVE, HYDRAULIC, PRESSURE COMPENSATOR, OILPATH, EC12-42-0-N-160	1

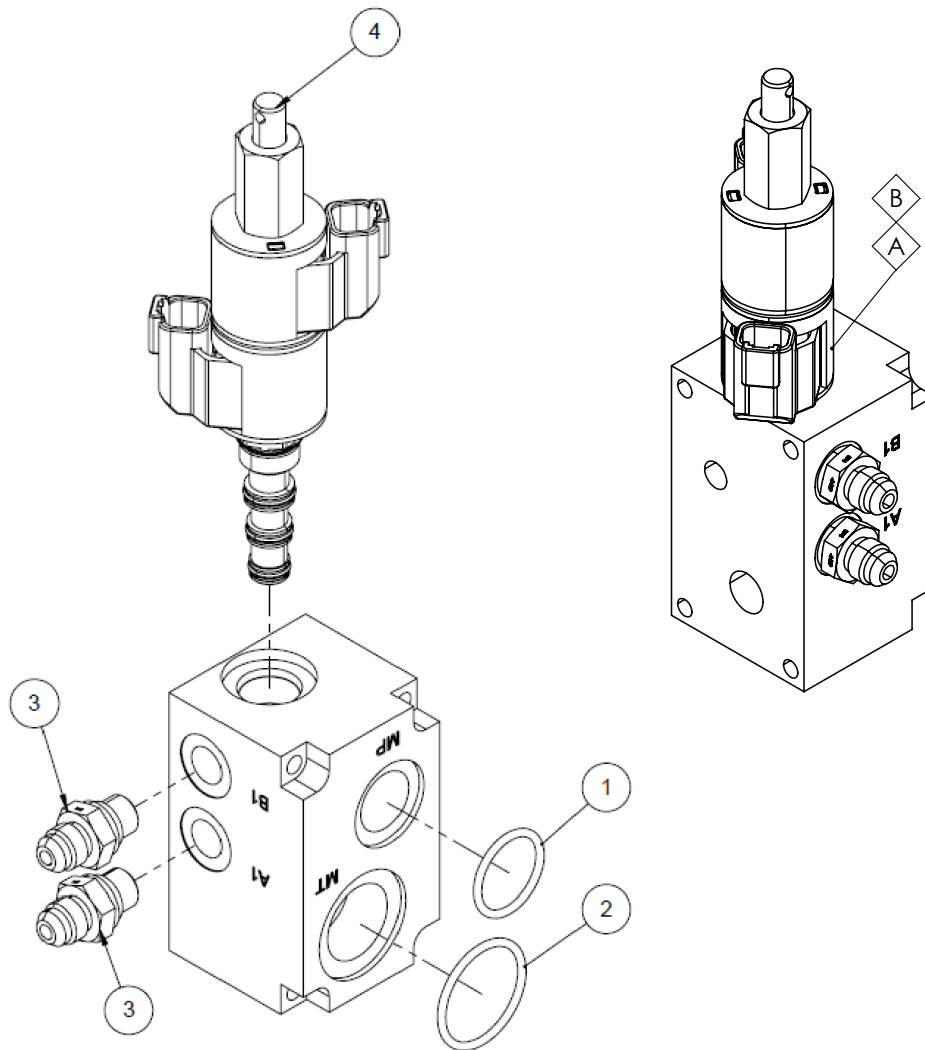
Continue Over Page

Manifold - Chassis



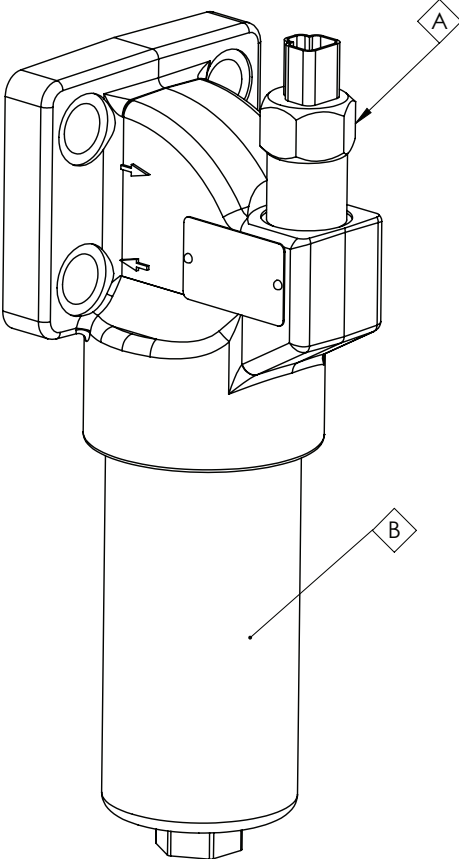
ITEM NO.	PART NUMBER	DESCRIPTION	QTY.
A	GA3500900	SEAL KIT, OILPATH, SKI6-2N-T	-
B	GA3500915	SEAL KIT, OILPATH, SK06-2U-O	-
1	GA5026082	HYDRAULIC ADAPTOR NIPPLE, 1" BSP O-RING X 1 5/16" JIC, S74-1621	1
2	GA3500544	HYDRAULIC ADAPTOR NIPPLE, 1/4" BSP O-RING X 9/16" JIC, S74-0409	4
3	GA3500711	HYDRAULIC ADAPTOR NIPPLE, 3/4" BSP O-RING X 1 1/16" JIC, S74-1217	4
4	GA3500899	HYDRAULIC CARTRIDGE, CHECK VALVE, OILPATH, CVI6-20T-0-N-150	1
5	GA3500914	HYDRAULIC CARTRIDGE, CHECK VALVE, OILPATH, HVC06-20-0-U-05	4
6	GA3500133	HYDRAULIC COUPLING, EASY TEST POINT, 1/4" BSPP	2
7	GA3500303	HYDRAULIC ADAPTER, NIPPLE, 1/2" BSPP O-RING MALE X 3/4" JIC MALE, S74-0812	4
8	GA3500847	PLUG, ORIFICE, 1/16 NPT X 0.5mm	1

Expansion Module - 3-4m Axles



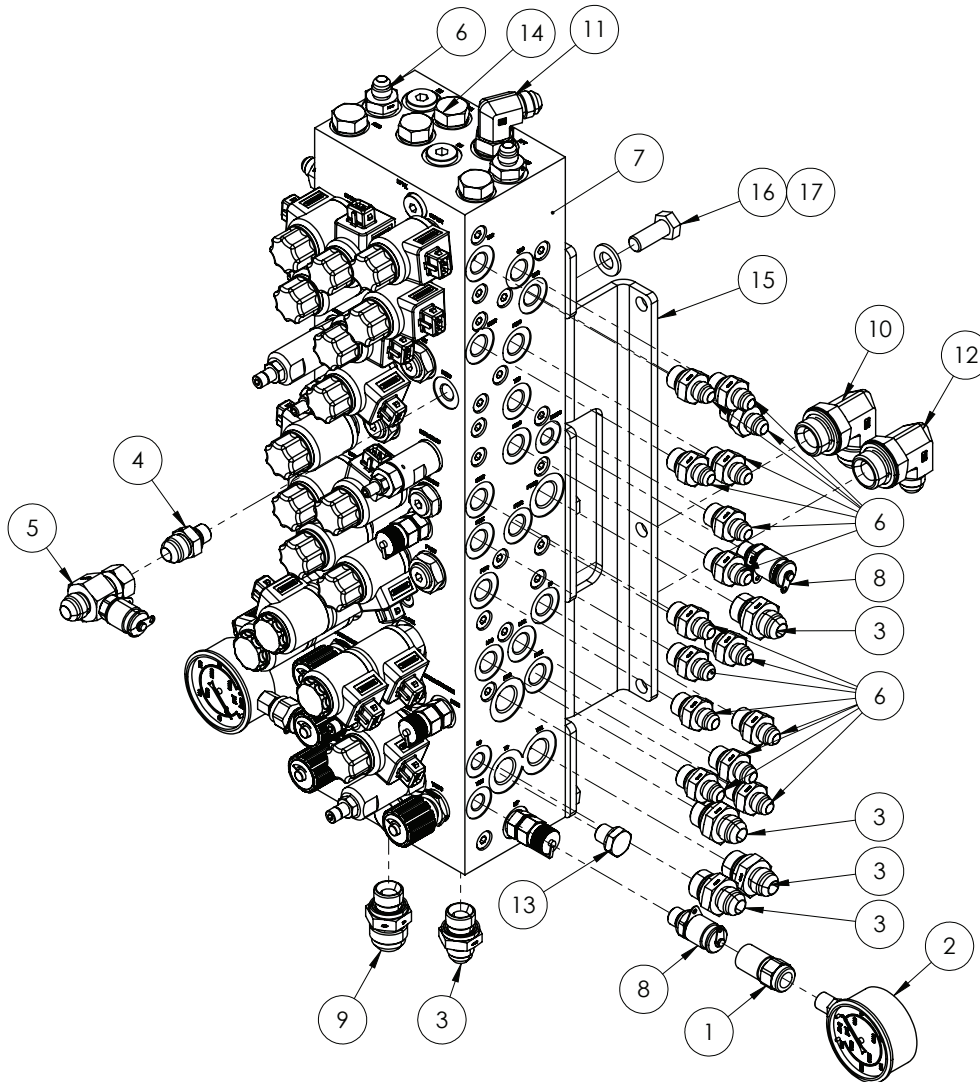
ITEM NO.	PART NUMBER	DESCRIPTION	QTY.
A	GA3500894	SEAL KIT, OILPATH, SK08-4N-MMM	-
B	GA3000579	COIL, 12V DC, OILPATH, 4303612	-
1	GA5074150	O RING, BS120	1
2	GA5078662	O RING, 401196	1
3	GA3500544	HYDRAULIC ADAPTER, NIPPLE, 1/4" BSPP O-RING MALE X 9/16" JIC MALE, S74-0409	1
4	GA3500893	HYDRAULIC CARTRIDGE, SOLENOID VALVE, DCV, OILPATH, SV08-47DM-0-N-00	1

Hydraulic Pressure Filter



ITEM NO.	PART NUMBER	DESCRIPTION	QTY.
A	GA3000542	SENSOR, CLOGGING BLOCKING INDICATOR, SWITCH, HYDRAULIC PRESSURE FILTER, HYDAC	-
B	GA5008721	FILTER SCREEN, HYDRAULIC PRESSURE, 10 MICRON, SUIT GA5010013 & GA3500705	-

Manifold - Boom Control - 48m - Front View



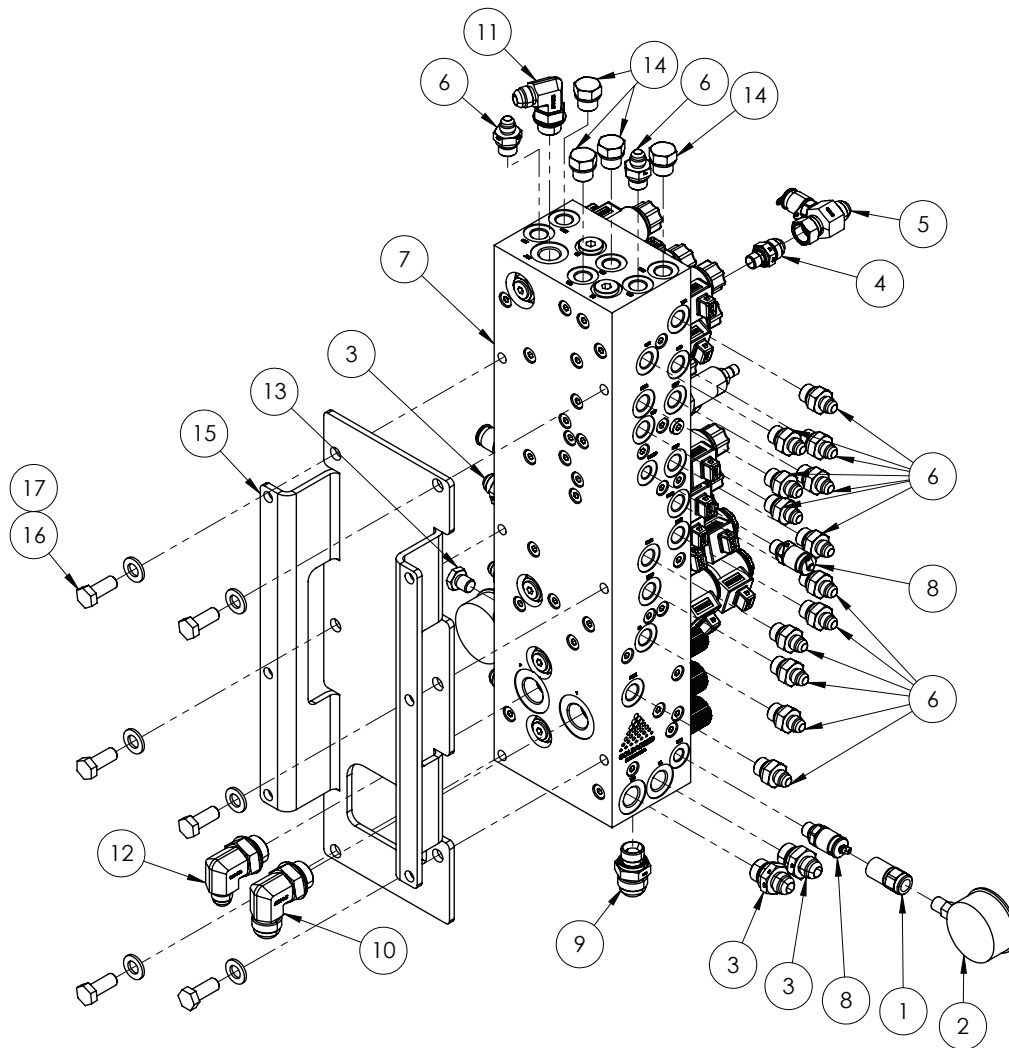
ITEM NO.	PART NUMBER	DESCRIPTION	QTY.
1	GA5077350	ADAPTOR, DIRECT GAUGE, M16 X 2.0 FEMALE X 1/4" BSPP FEMALE, C81-1604	2
2	GA5078076	GAUGE, PRESSURE, 250 BAR, 3500PSI	2
3	GA3500303	HYDRAULIC ADAPTER, NIPPLE, 1/2" BSPP O-RING MALE X 3/4" JIC MALE, S74-0812	7
4	GA3501089	HYDRAULIC ADAPTOR, 1/4" BSPP MALE X 3/4" JIC MALE, S74-0412	1
5	GA3501091	HYDRAULIC ADAPTOR, 3/4" JIC FEMALE SWIVEL X 3/4" JIC MALE X TEST POINT, S159-121216	1
6	GA3500145	HYDRAULIC ADAPTOR, NIPPLE, 3/8" BSPP O-RING MALE X 9/16" JIC MALE, S74-0609	30
7	GA3500603	HYDRAULIC CONTROL MANIFOLD, 48M BOOM, 9 CIRCUIT, HYDAC	1
8	GA3500133	HYDRAULIC COUPLING, EASY TEST POINT, 1/4" BSPP	4
9	GA3500720	HYDRAULIC ADAPTER, NIPPLE, 1/2" BSPP O-RING MALE X 1 1/16" JIC MALE, S74-0817	1

Continue Over Page

Manifold - Boom Control - 48m

ITEM NO.	PART NUMBER	DESCRIPTION	QTY.
10	GA3500900	SEAL KIT, OILPATH, SKI6-2N-T	1
11	GA3500722	HYDRAULIC ADAPTOR, ELBOW, 90 DEGREE, 3/4" JIC MALE X 1/2" BSPP MALE O-RING, S76-0812	1
12	GA3500733	HYDRAULIC ADAPTOR, ELBOW, 90 DEGREE, 3/4" JIC MALE X 3/4" BSPP MALE O-RING, S76-1212	1
13	GA3500299	HYDRAULIC ADAPTOR, PLUG, 1/4" BSPP MALE, S73-04	1
14	GA3500300	HYDRAULIC ADAPTOR, PLUG, 3/8" BSPP MALE, S73-06	4
15	GA4406405	PLATE, MOUNT, HYDRAULIC MANIFOLD, 48M BOOM, CENTRE SECTION	1
16	GA5000305	SET SCREW M12 X 30 GR8.8 ZP	6
17	GA5000577	WASHER 12MM FLAT SS HD	6

Manifold - Boom Control - 48m - Rear View



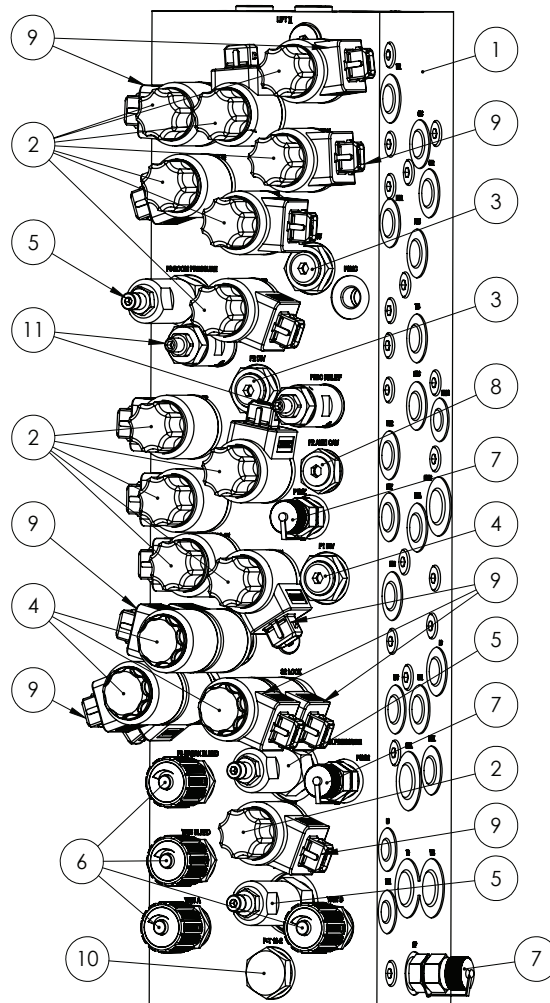
ITEM NO.	PART NUMBER	DESCRIPTION	QTY.
1	GA5077350	ADAPTOR, DIRECT GAUGE, M16 X 2.0 FEMALE X 1/4" BSPP FEMALE, C81-1604	2

Continue Over Page

Manifold - Boom Control - 48m - Rear View

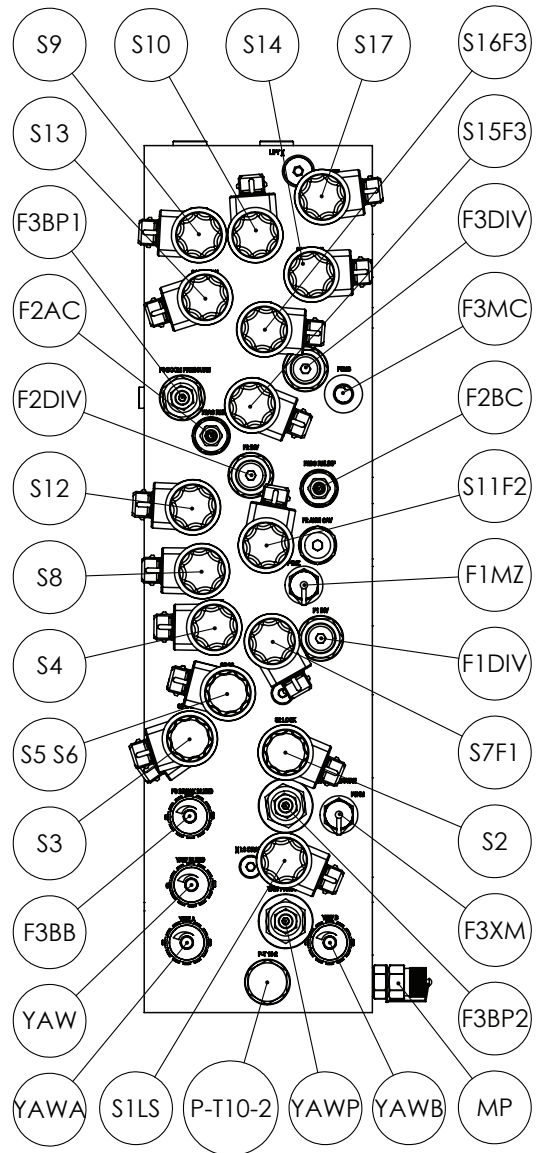
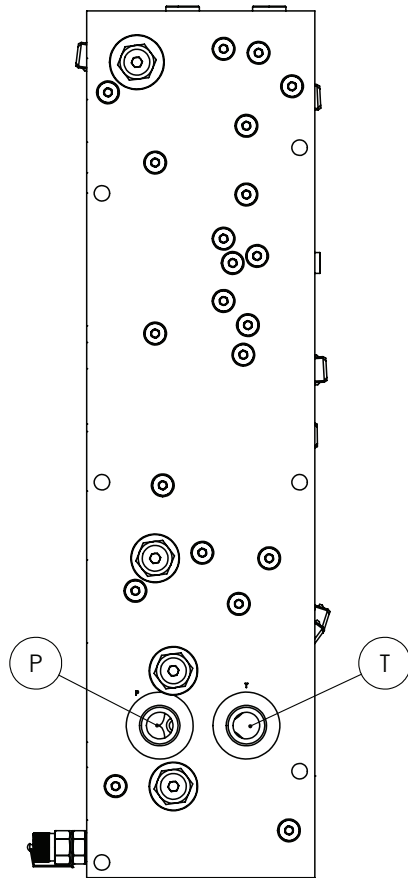
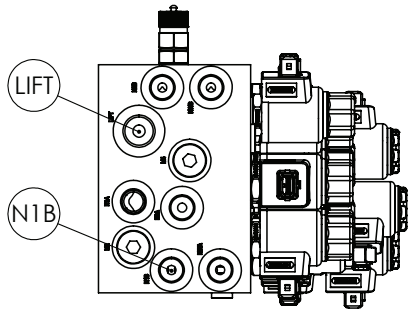
ITEM NO.	PART NUMBER	DESCRIPTION	QTY.
2	GA5078076	GAUGE, PRESSURE, 250 BAR, 3500PSI	2
3	GA3500303	HYDRAULIC ADAPTER, NIPPLE, 1/2" BSPP O-RING MALE X 3/4" JIC MALE, S74-0812	7
4	GA3501089	HYDRAULIC ADAPTOR, 1/4" BSPP MALE X 3/4" JIC MALE, S74-0412	1
5	GA3501091	HYDRAULIC ADAPTOR, 3/4" JIC FEMALE SWIVEL X 3/4" JIC MALE X TEST POINT, S159-121216	1
6	GA3500145	HYDRAULIC ADAPTOR, NIPPLE, 3/8" BSPP O-RING MALE X 9/16" JIC MALE, S74-0609	30
7	GA3500603	HYDRAULIC CONTROL MANIFOLD, 48M BOOM, 9 CIRCUIT, HYDAC	1
8	GA3500133	HYDRAULIC COUPLING, EASY TEST POINT, 1/4" BSPP	4
9	GA3500720	HYDRAULIC ADAPTER, NIPPLE, 1/2" BSPP O-RING MALE X 1 1/16" JIC MALE, S74-0817	1
10	GA3500900	SEAL KIT, OILPATH, SK16-2N-T	1
11	GA3500722	HYDRAULIC ADAPTOR, ELBOW, 90 DEGREE, 3/4" JIC MALE X 1/2" BSPP MALE O-RING, S76-0812	1
12	GA3500733	HYDRAULIC ADAPTOR, ELBOW, 90 DEGREE, 3/4" JIC MALE X 3/4" BSPP MALE O-RING, S76-1212	1
13	GA3500299	HYDRAULIC ADAPTOR, PLUG, 1/4" BSPP MALE, S73-04	1
14	GA3500300	HYDRAULIC ADAPTOR, PLUG, 3/8" BSPP MALE, S73-06	4
15	GA4406405	PLATE, MOUNT, HYDRAULIC MANIFOLD, 48M BOOM, CENTRE SECTION	1
16	GA5000305	SET SCREW M12 X 30 GR8.8 ZP	6
17	GA5000577	WASHER 12MM FLAT SS HD	6

Manifold - Boom Control - 48m, (Cartridges & Coils)



ITEM NO.	PART NUMBER	DESCRIPTION	QTY.
1	GA3500603	HYDRAULIC CONTROL MANIFOLD, 48M BOOM, 9 CIRCUIT, HYDAC	1
2	GA3500935	HYDRAULIC CARTRIDGE, POPPET VALVE, HYDAC, WSM06020W-01-C-N-0	13
3	GA3500934	HYDRAULIC CARTRIDGE, FLOW DIVIDER, HYDAC, ST10-01-C-N-11, 562884	3
4	GA3501808	HYDRAULIC FLOW DIVIDER/COMBINER, HYDAC, ST10-01-C-N-22, 562885	1
5	GA3501669	PRESSURE REDUCING VALVE, HYDAC, SCREW-IN CARTRIDGE, 3120534	3
6	GA3501671	HYDRAULIC NEEDLE VALVE, HYDAC, DV5E-01-X, 710300	4
7	GA3501672	TEST PORT, HYDRAULIC, HYDAC, ISO-228-G 1/4", 680107	3
8	GA3501673	HYDRAULIC CARTRIDGE, DIRECT ACTING, POPPET, HYDAC, RV08A-01-C-N-05, 560084	5
9	GA5056515	COIL, 12V DC, HYDAC, 12DN-40-1836, 3012600	19
10	GA3501674	HYDRAULIC CAVITY PLUG, HYDAC, FP102-0-N, 3014157	1
11	GA3501675	RELIEF VALVE POPPET, DIRECT ACTING, DB4E-01X-250V, 716143	2

Manifold - Boom Control - 48m (Function Table)



ITEM NO.	DESCRIPTION
S1LS	HYDRAULIC YAW
S2	CENTRE LOCK
S3	BOOM LATCH
S4	FIRSTSTAGE FOLD - RETURN
S5 S6	BOOM OPERATIONS (MASTER)
S7F1	FIRST STAGE FOLD - RIGHT HAND SIDE
S8	FIRST STAGE FOLD - LEFT HAND SIDE
S9	BOOM TILT - RIGHT HABD SIDE
S10	BOOM TILT - LEFT HAND SIDE
S11F2	SECOND STAGE FOLD

ITEM NO.	DESCRIPTION
S12	SECOND STAGE FOLD - LEFT HAND SIDE
S13	BOOM CATCH - RIGHT HAND SIDE
S14	BOOM CATCH - LEFT HAND SIDE
S15F3	THIRD STAGE FOLD - RIGHT HAND SIDE
S16F3	THIRD STAGE FOLD - LEFT HAND SIDE
S17	BOOM LIFT
F1DIV	FIRST STAGE FOLD FLOW DIVIDER
F1MZ	FIRTS STAGE FOLD TEST PORT

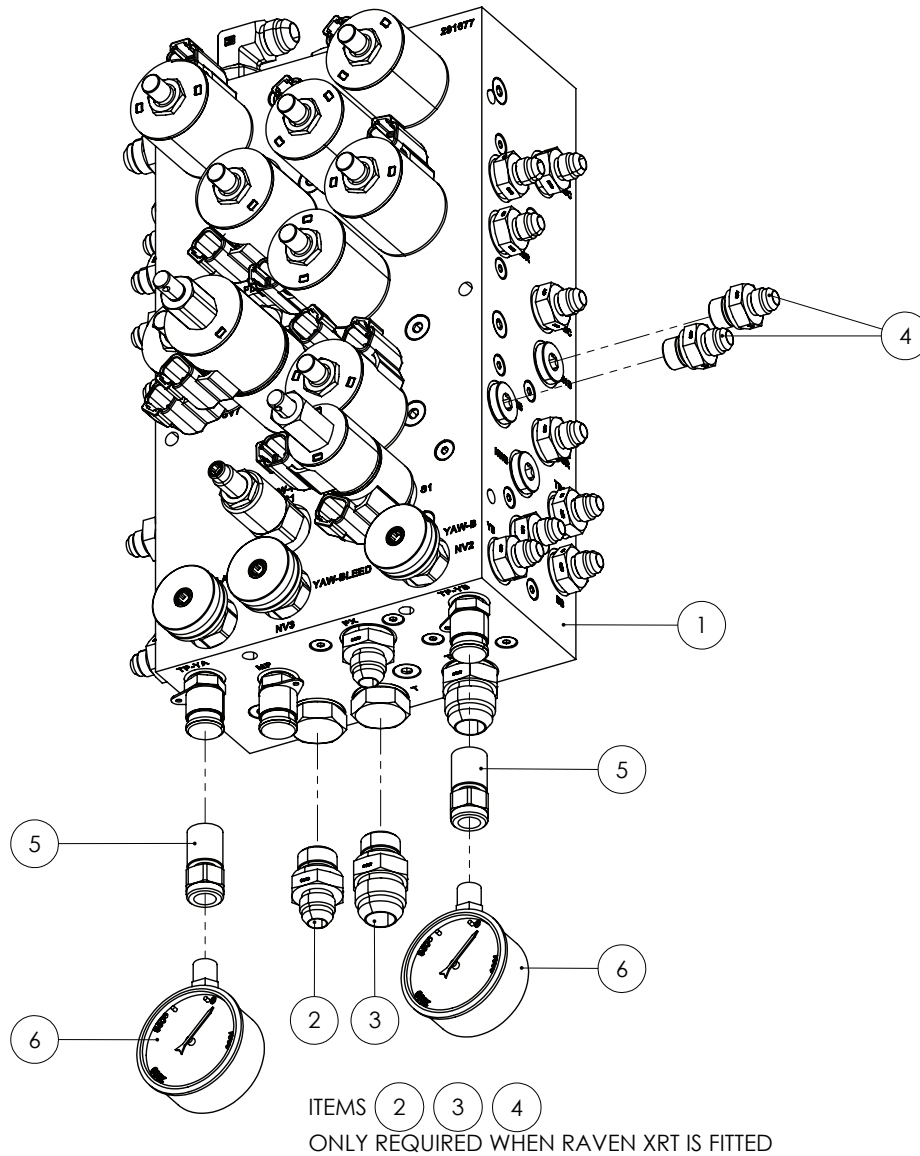
Continue Over Page

Manifold - Boom Control - 48m (Function Table)

ITEM NO.	DESCRIPTION
F2AC	SECOND STAGE FOLD - RIGHT HAND SIDE PRESSURE RELIEF
F2BC	SECOND STAGE FOLD - LEFT HAND SIDE PRESSURE RELIEF
F2DIV	SECOND STAGE FOLD FLOW DIVIDER
F3BB	THIRD STAGE FOLD BREAK BLEED
F3BP1	THIRD STAGE FOLD BOOM PRESSURE
F3BP2	THIRD STAGE BREAK PRESSURE
F3DIV	THIRD STAGE FOLD FLOW DIVIDER
F3MC	THIRD STAGE FOLD ACCUMULATOR
F3XM	THIRD STAGE FOLD TEST PORT

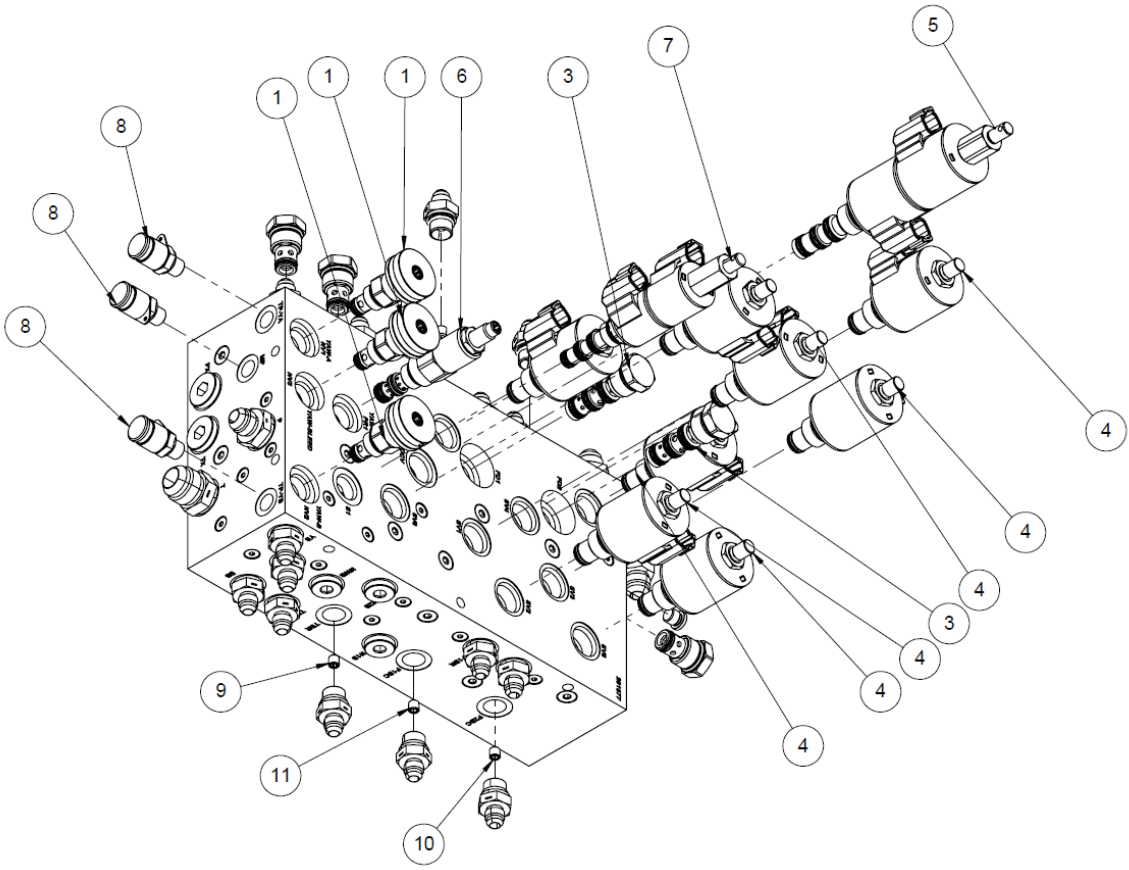
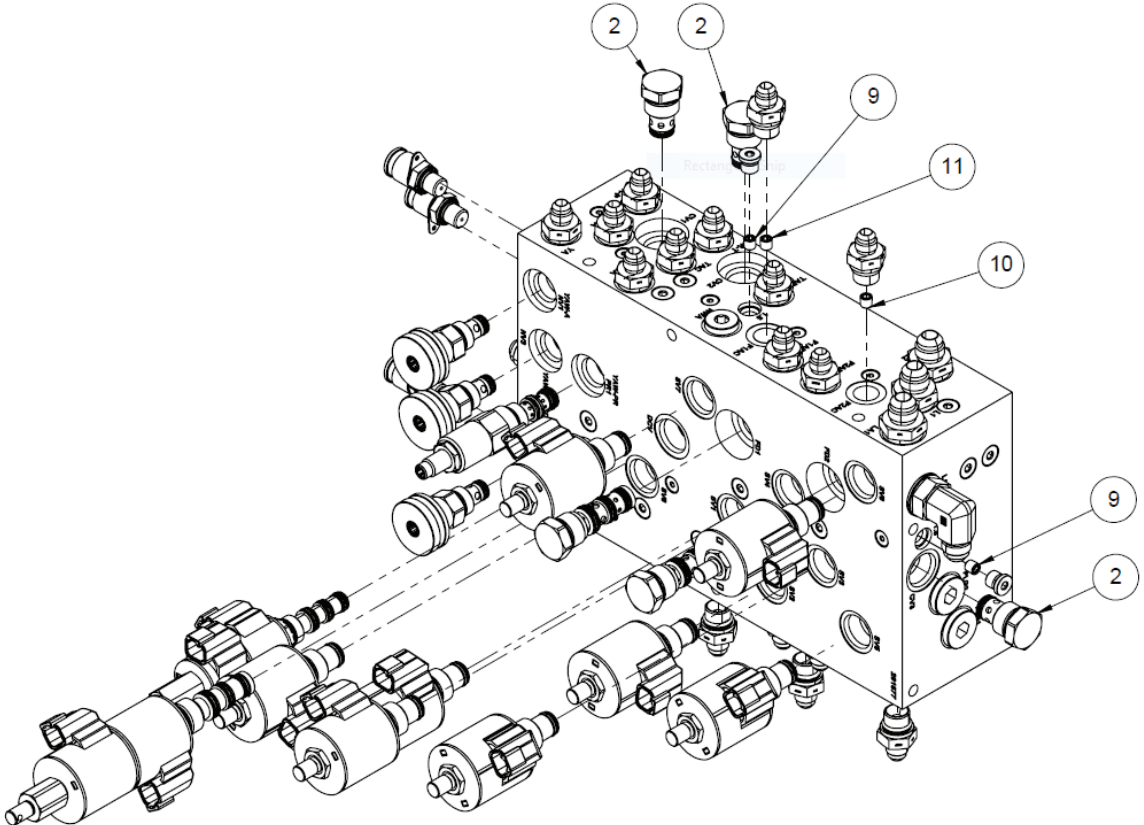
ITEM NO.	DESCRIPTION
LIFT	LIFT CYLINDERS
NIB	RAVEN ULTRAGLIDE XRT
MP	TEST PORT
P-T 10-2	RAVEN ULTRAGLIDE XRT
YAW	YAW BLEED
YAW A	YAW CONTROL - RIGHT HAND SIDE
YAW B	YAW CONTROL - LEFT HAND SIDE
YAW P	YAW PRESSURE
P	RAVEN ULTRAGLIDE XRT - LEFT HAND SIDE
T	RAVEN ULTRAGLIDE XRT - RIGHT HAND SIDE

Manifold - Boom Control - 36-42m



ITEM NO.	PART NUMBER	DESCRIPTION	QTY.
1	GA3500677	HYDRAULIC MANIFOLD ASSEMBLY, BOOM CONTROL SUIT 36M AND 42M	1
2	GA3500303	HYDRAULIC ADAPTER, NIPPLE, 1/2" BSPP O-RING MALE X 3/4" JIC MALE	1
3	GA3500720	HYDRAULIC ADAPTER, NIPPLE, 1/2" BSPP O-RING MALE X 1/16" JIC MALE	1
4	GA3500145	HYDRAULIC ADAPTOR, NIPPLE, 3/8" BSPP O-RING MALE X 9/16" JIC MALE	2
5	GA5077350	ADAPTOR, DIRECT GAUGE, M16 X 2.0 FEMALE X 1/4" BSPP FEMALE, C81-1604	2
6	GA5021455	HYDRAULIC PRESSURE GAUGE, 3500PSI, 63MM, 1/4" BSPT MALE THREAD	2

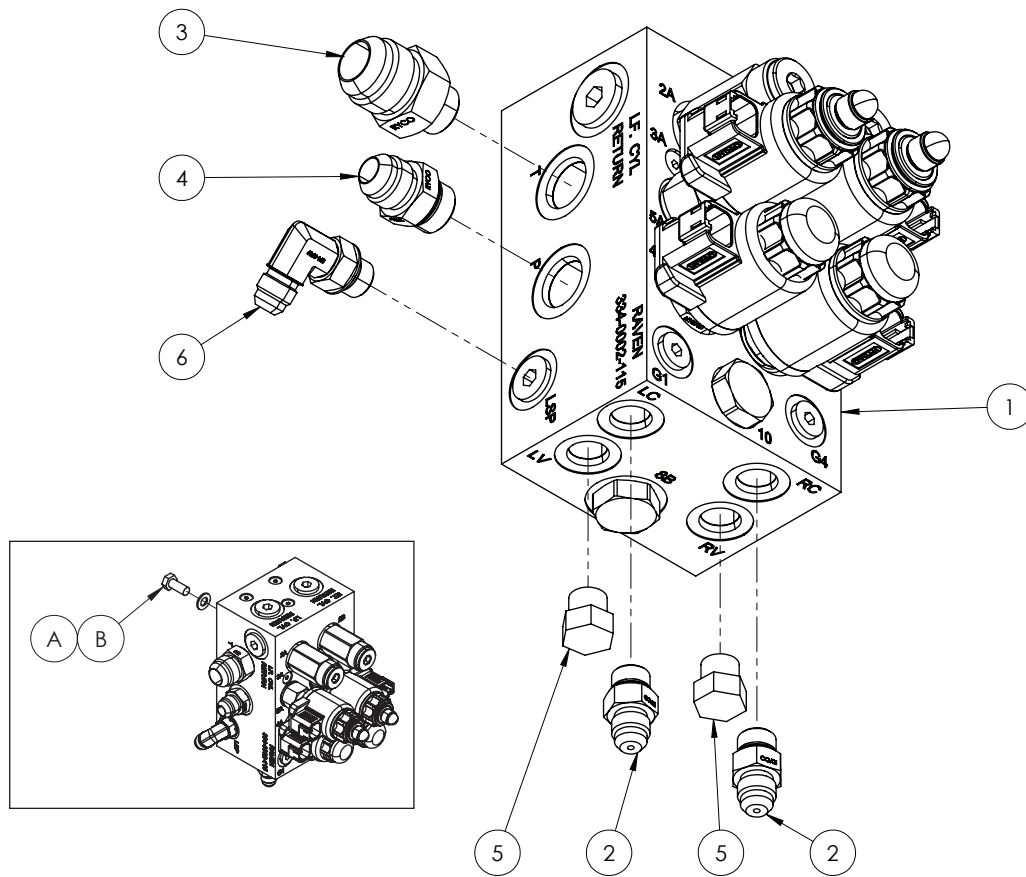
Manifold - Boom Control - 36-42m



Manifold - Boom Control - 36-42m

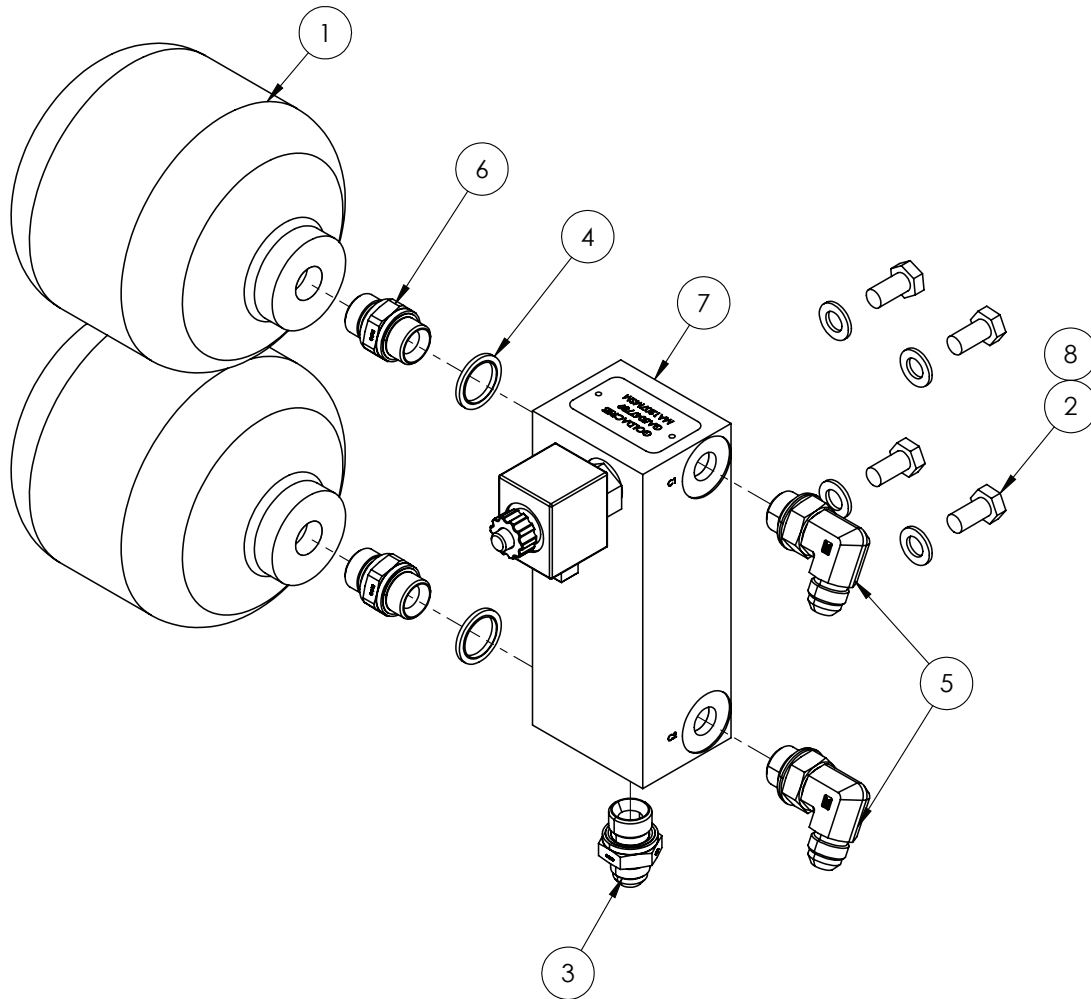
ITEM NO.	PART NUMBER	DESCRIPTION	QTY.
1	GA3500882	HYDRAULIC CARTRIDGE, NEEDLE VALVE, OILPATH, NV08-23B-0-N	3
1.1	GA3500883	SEAL KIT, OILPATH, SK08-2N-M	
2	GA3500884	HYDRAULIC CARTRIDGE, CHECK VALVE, OILPATH, CV10-20-0-N-05	3
2.1	GA3500885	SEAL KIT, OILPATH, SK-2N-T	
3	GA3500886	HYDRAULIC CARTRIDGE, FLOW DIVIDER, OILPATH, FD50-45-0-N-22	2
3.1	GA3500887	SEAL KIT, OILPATH, SK10-4N-MMM	
4	GA3500888	HYDRAULIC CARTRIDGE, SOLENOID VALVE, OILPATH, SV10-28M-0-N-00	8
4.1	GA3500889	SEAL KIT, OILPATH, SK10-2N-M	
4.2	GA3000577	COIL, 12V DC, OILPATH, 4303712	
5	GA3500890	HYDRAULIC CARTRIDGE, SOLENOID VALVE, DCV, OILPATH, HSV10-47DM-0-U-00	1
5.1	GA3500887	SEAL KIT, OILPATH, SK10-4N-MMM	
5.2	GA3000577	COIL, 12V DC, OILPATH, 4303712	
6	GA3500891	HYDRAULIC CARTRIDGE, PRESSURE REDUCING VALVE, OILPATH, PR08-32A-0-N-22	1
6.1	GA3500892	SEAL KIT, OILPATH, SK08-3N-BM	
7	GA3500893	HYDRAULIC CARTRIDGE, SOLENOID VALVE, DCV, OILPATH, SV08-47DM-0-N-00	1
7.1	GA3500894	SEAL KIT, OILPATH, SK08-4N-MMM	
7.2	GA3000579	COIL, 12V DC, OILPATH, 4303612	
8	GA3500133	HYDRAULIC COUPLING, EASY TEST POINT, 1/4" BSPP	3
9	GA3500853	ORIFICE PLUG, 1/16", 1.5MM	3
10	GA3500896	ORIFICE PLUG, 1/16", 0.6MM	2
11	GA3500849	ORIFICE PLUG, 1/16", 0.8MM	2

Manifold - Raven XRT 5



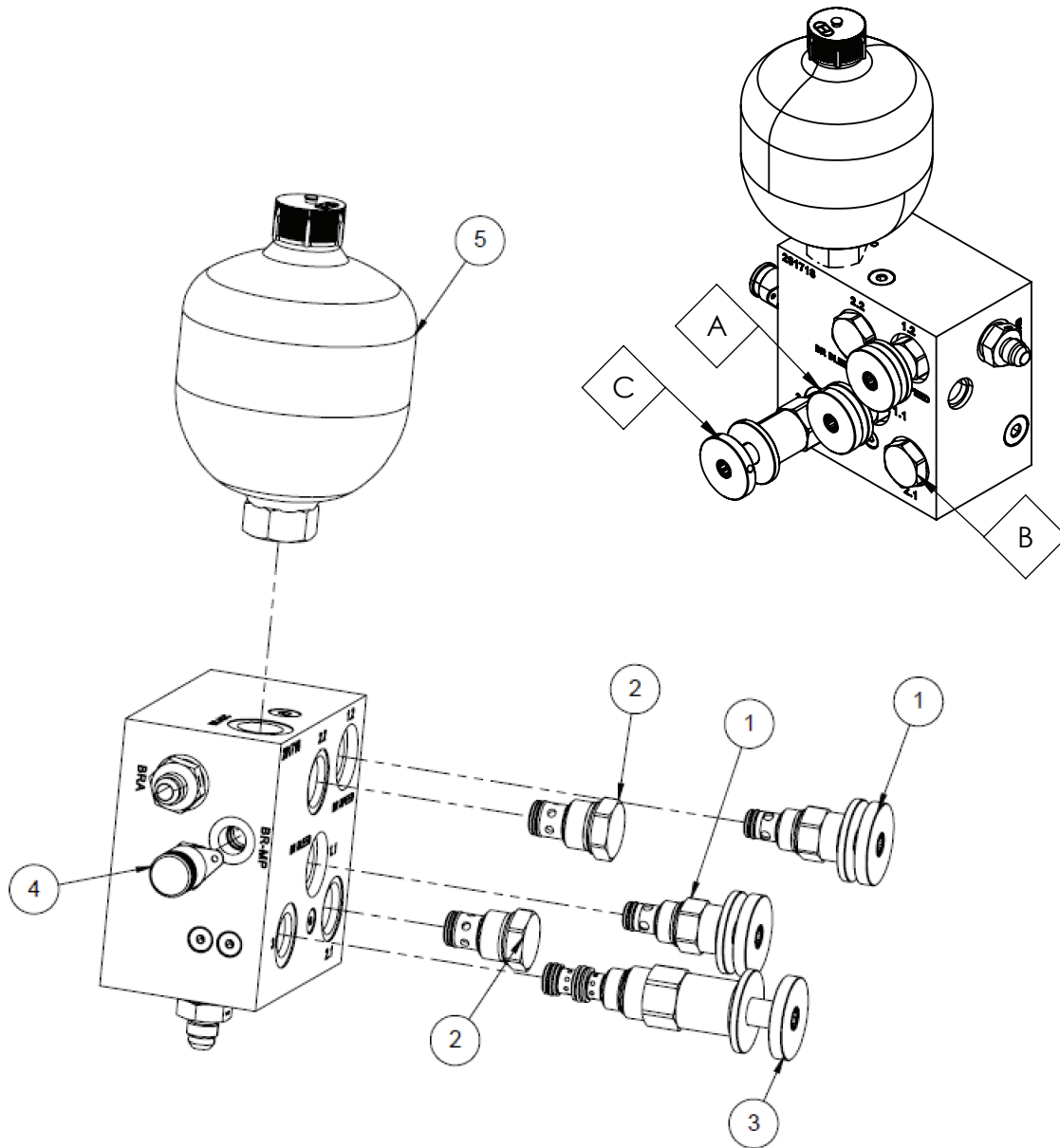
ITEM NO.	PART NUMBER	DESCRIPTION	QTY.
A	GA5003643	WASHER 8MM FLAT SS HD	3
B	GA5048485	SET SCREW 5/16" BSW X 3/4" SS A2-70	3
1	GA3000385	VALVE, HYDRAULIC, RAVEN XRT ULTRAGLIDE, LOAD SENSE	1
2	GA3500146	HYDRAULIC ADAPTOR, NIPPLE, 9/16" JIC MALE X 9/16" UN MALE O-RING	2
3	GA3500738	HYDRAULIC ADAPTOR, NIPPLE, 1 1/16" JIC MALE X 3/4" UN MALE O-RING	1
4	GA3500739	HYDRAULIC ADAPTOR, NIPPLE, 3/4" JIC MALE X 3/4" UN MALE O-RING	1
5	GA3500380	HYDRAULIC ADAPTOR, PLUG, 9/16" UN MALE O-RING	2
6	GA3500716	HYDRAULIC ADAPTOR, ELBOW, 90 DEGREE, 9/16" JIC MALE X 9/16" UN MALE O-RING	1

Boom Lift Accumulator Lockout



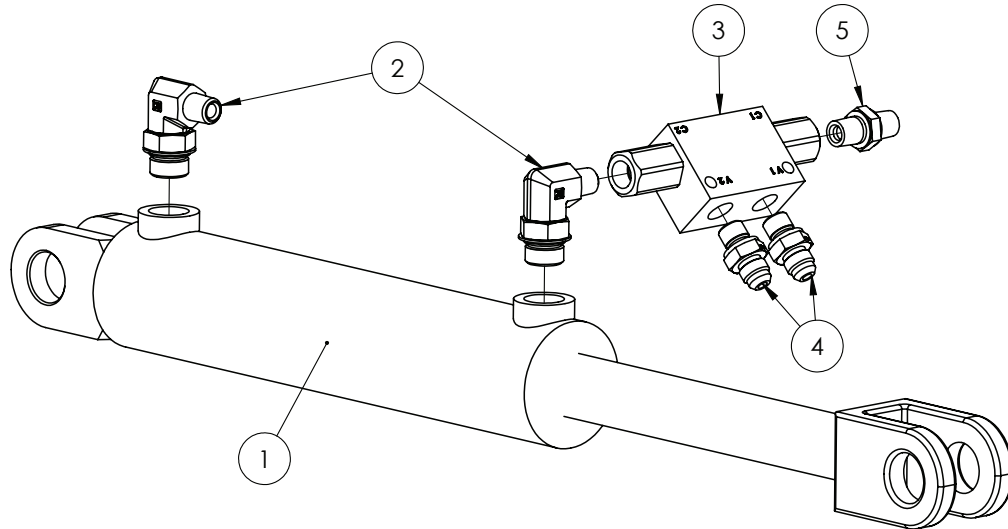
ITEM NO.	PART NUMBER	DESCRIPTION	QTY.
-	GA5047730	VALVE CARTRIDGE HYD SOL POPPET NC-12V WITH OVERRIDE PLUS BODY	1
1	GA5007787	ACCUMULATOR 1.0L PRECHARGE 70 BAR	2
2	GA5006113	BOLT M10X20 ZP 8.8	4
3	GA3500303	HYDRAULIC ADAPTOR NIPPLE, 1/2" BSPP TO 3/4" JIC	1
4	GA3500159	HYDRAULIC SEAL, BONDED, 1/2", RL21D-08	2
5	GA3500722	HYDRAULIC ADAPTOR, ELBOW, 90 DEGREE, 3/4" JIC MALE X 1/2" BSPP MALE O-RING, S76-0812	2
6	GA3500253	HYDRAULIC ADAPTOR, NIPPLE, 1/2" BSPP MALE X 1/2" BSPP MALE, S46-0808	2
7	GA5047789	MANIFOLD, HYDRAULIC, ACCUMULATOR LOCKOUT MY14	1
8	GA5000117	WASHER 10mm FLAT SS HD	4

Boom Bi-Fold Breakaway



ITEM NO.	PART NUMBER	DESCRIPTION	QTY.
A	GA3500889	SEAL KIT, OILPATH, SK10-2N-M	-
B	GA3500910	SEAL KIT, OILPATH, SK10-2N-T	-
C	GA3500892	SEAL KIT, OILPATH, SK08-3N-BM	-
1	GA3500882	HYDRAULIC CARTRIDGE, NEEDLE VALVE, OILPATH, NV08-23B-0-N	2
2	GA3500884	HYDRAULIC CARTRIDGE, CHECK VALVE, OILPATH, CV10-20-0-N-05	2
3	GA3501144	HYDRAULIC CARTRIDGE, PRESSURE REDUCING VALVE, OILPATH, PR08-32B-0-N-22-M100	1
4	GA3500133	HYDRAULIC COUPLING, EASY TEST POINT, 1/4" BSPP	1
5	GA3500929	HYDRAULIC ACCUMULATOR, 0.5L, 90BAR, OILPATH, 484013	1

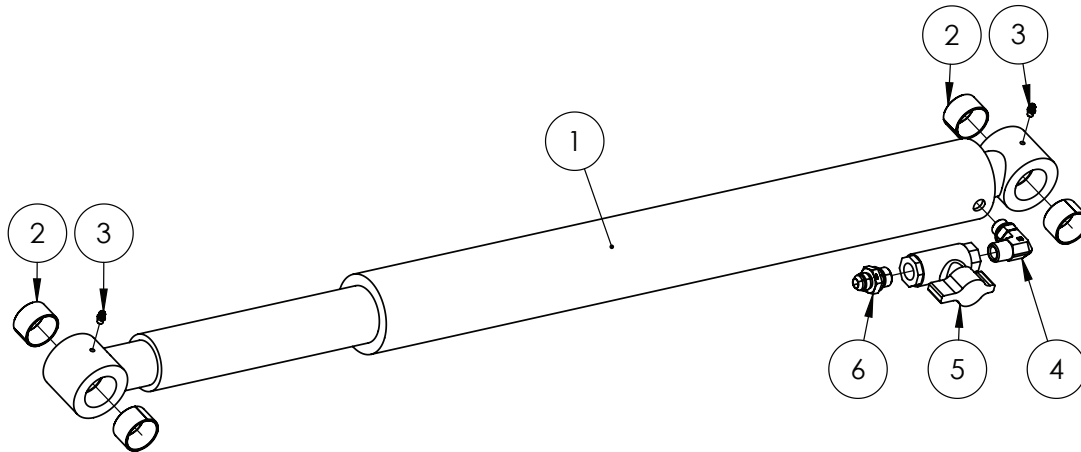
Cylinder - Boom Rest 36-42m



Quantities shown are per side.

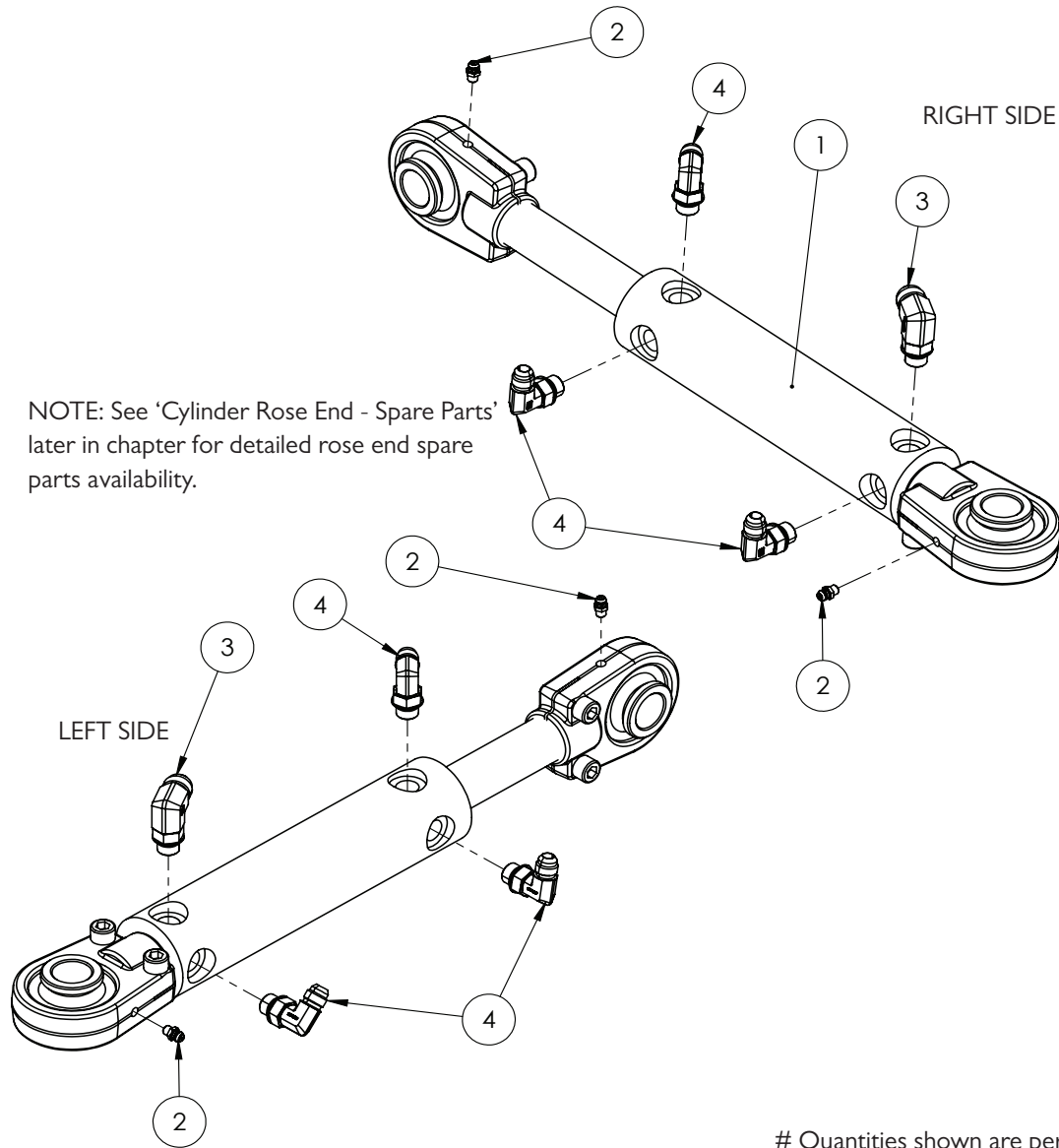
ITEM NO.	PART NUMBER	DESCRIPTION	QTY.
-	GA5052745	SEAL KIT, SUIT 2" BORE X 1 1/4" ROD, SUIT GA5060816, GA5060817, GA5069110, HYPOWER BRAND ONLY	-
-	GA3501788	SEAL KIT, SUIT, HYDRAULIC CYLINDER, GA5069110, "BICELLI GECO" BRAND ONLY	-
1	GA5069110	HYDRAULIC CYLINDER, BORE 2", ROD 1.25", STROKE 6"	1
2	GA3500348	HYDRAULIC ADAPTOR, ELBOW, 90 DEGREE, 1/4" BSPT MALE X 3/4" UN MALE O-RING	2
3	GA5007957	DOUBLE PILOT CHECK (RA) 12LPM 1/4" BSPP	1
4	GA3500544	HYDRAULIC ADAPTER, NIPPLE, 1/4" BSPP O-RING MALE X 9/16" JIC MALE	2
5	GA4562025	RESTRICTOR NIPPLE 1/4" BSPT 0.5MM ORIFICE	1

Cylinder - Boom Lift



ITEM NO.	PART NUMBER	DESCRIPTION	QTY.
-	GA3501576	SEAL KIT, HYDRAULIC CYLINDER, SUIT, GA3500682 & GA3500593, "BICELLI GECO" BRAND ONLY	-
-	GA5052731	SEAL KIT, SUIT 3" BORE X 2 1/2" ROD, SUITS GA5070081, GA5070079, GA3500669, GA3500593, HYPOWER BRAND ONLY	-
1	GA3500593	HYDRAULIC CYLINDER, DISPLACEMENT, 3" BORE, 2.5" ROD, 26" STROKE SUIT 1.5" PINS	1
2	GA1700027	BEARING, GLACIER BUSH, 1 1/2" ID X 1" LONG	4
3	GA5012203	GREASE NIPPLE, SHORT, 1/4" UNF	2
4	GA3500349	HYDRAULIC ADAPTOR, ELBOW, 90 DEGREE, 1/2" BSPT MALE X 3/4" UN MALE O-RING	1
5	GA5000835	VALVE, BALL, HYDRAULIC, 1/2" FEMALE THREAD INLET / OUTLET	1
6	GA3500303	HYDRAULIC ADAPTER, NIPPLE, 1/2" BSPP O-RING MALE X 3/4" JIC MALE	1

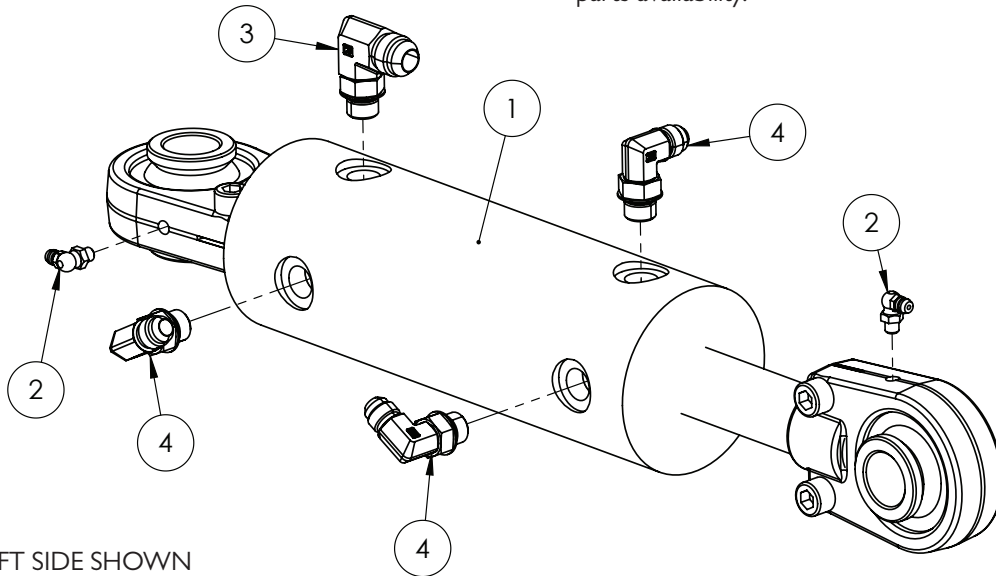
Cylinder - Yaw 36m



ITEM NO.	PART NUMBER	DESCRIPTION	QTY.
-	GA5052745	SEAL KIT, SUIT 2" BORE X 1 1/4" ROD, SUIT GA5060816, GA5060817, GA5069110, HYPOWER BRAND ONLY	-
-	GA3500811	SEAL KIT, HYDRAULIC CYLINDER, 2" X 1.25" ROD, SUIT PTE ONLY GA5060817	-
-	GA5074330	SEAL KIT, SUIT, HYDRAULIC YAW CYLINDER, 2" X 1.25", MOTUS GA5060817	-
1	GA5060817	HYDRAULIC CYLINDER, 2" BORE X 1 1/4" ROD X 117.5MM STROKE, SPHERICAL BEARING ENDS	2
2	GA5012203	GREASE NIPPLE, SHORT, 1/4" UNF	4
3	GA3500802	HYDRAULIC ADAPTOR, ELBOW, 90 DEGREE, 3/4" JIC MALE X 9/16" UN MALE O-RING, S91-1209	2
4	GA3500716	HYDRAULIC ADAPTOR, ELBOW, 90 DEGREE, 9/16" JIC MALE X 9/16" UN MALE O-RING, S91-0909	6

Cylinder - Yaw 42-48m

NOTE: See 'Cylinder Rose End - Spare Parts' later in chapter for detailed rose end spare parts availability.

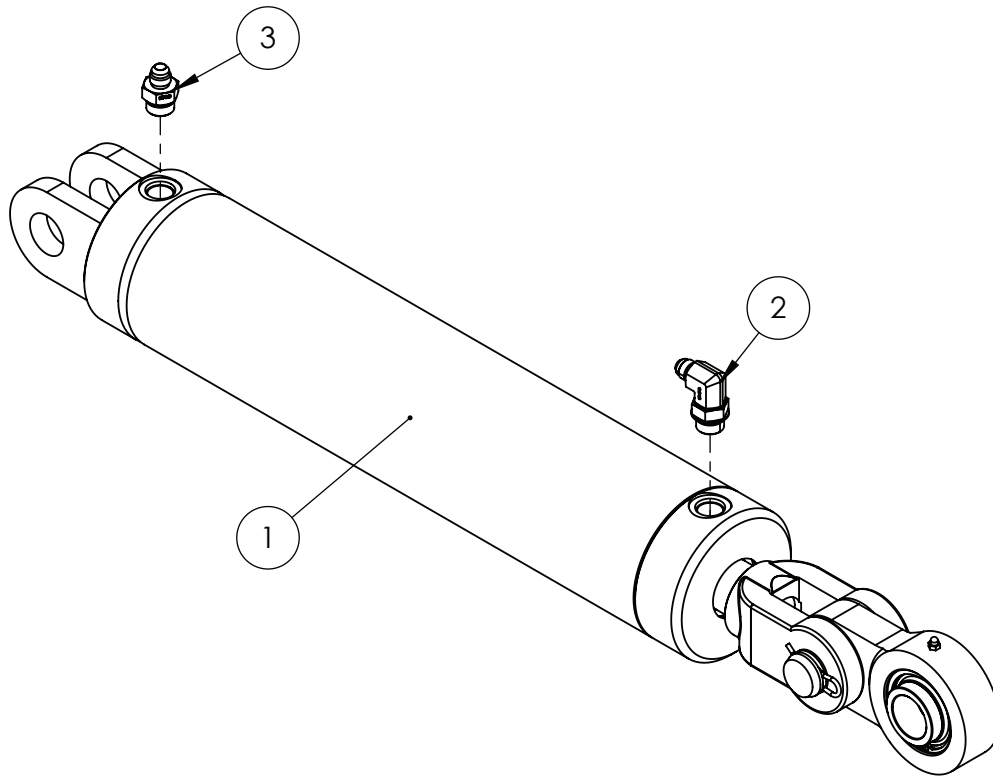


LEFT SIDE SHOWN

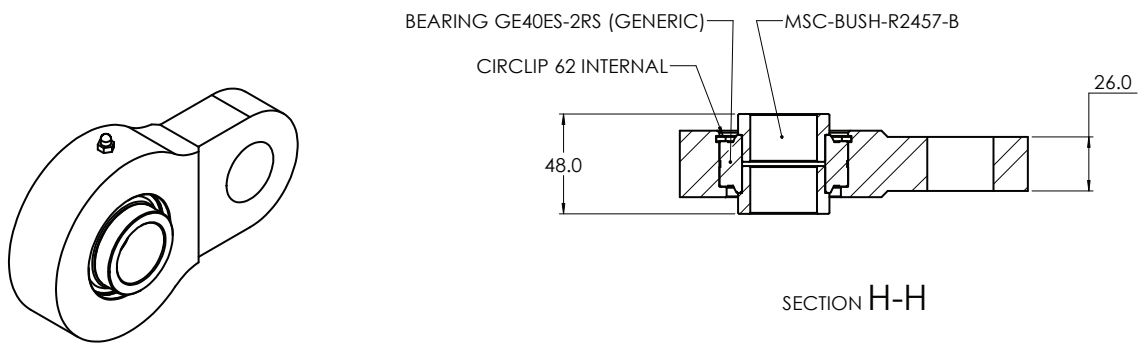
Quantities shown are per side.

ITEM NO.	PART NUMBER	DESCRIPTION	QTY.
-	GA5052732	SEAL KIT, SUIT 3" BORE X 1 1/4" ROD, SUIT GA5060818	-
-	GA5052680	SEAL KIT, SUIT 3" BORE X 1 1/4" ROD, SUIT GA5018538, GA5018540, GA5060818, HYPOWER BRAND ONLY	-
-	GA3501270	SEAL KIT, SUIT, HYDRAULIC CYLINDER, GA5018540 & GA5060818, "MOTUS", SK300125	-
1	GA5060818	HYDRAULIC CYLINDER, 3" BORE X 1 1/4" ROD X 117.5MM STROKE, WITH BEARING ENDS	1
2	GA5009637	GREASE NIPPLE, ELBOW, 90 DEGREE, 1/4" UNF MALE	2
3	GA3500802	HYDRAULIC ADAPTOR, ELBOW, 90 DEGREE, 3/4" JIC MALE X 9/16" UN MALE O-RING	1
4	GA3500716	HYDRAULIC ADAPTOR, ELBOW, 90 DEGREE, 9/16" JIC MALE X 9/16" UN MALE O-RING	3

Cylinder - Boom Tilt

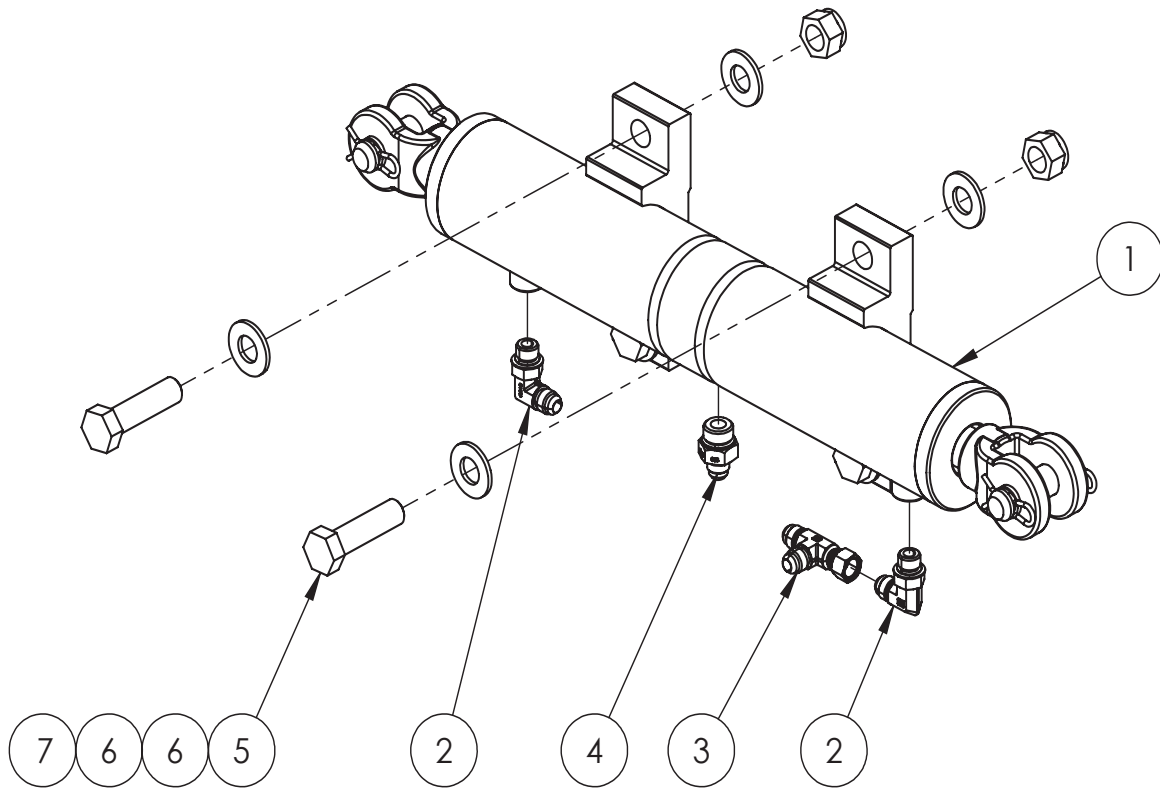


Quantities shown are per side.



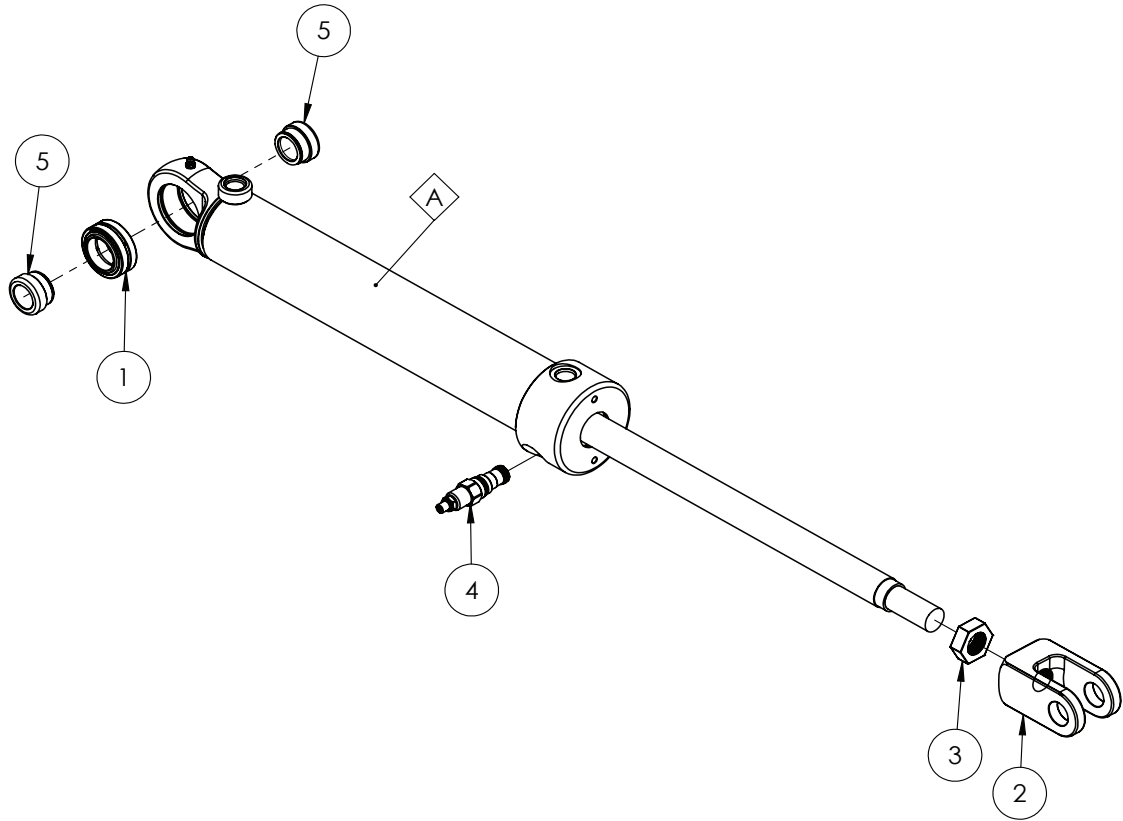
ITEM NO.	PART NUMBER	DESCRIPTION	QTY.
-	GA3501148	SEAL KIT, HYDRAULIC TILT CYLINDER, GA3500835, "MOTUS" BRAND ONLY	-
-	GA3501083	ROD END BEARING KNUCKLE SUIT TILT CYLINDER GA3500478 & GA3500835, INCLUDES BEARING	-
1	GA3500835	HYDRAULIC CYLINDER, BORE 4", ROD 1.5", STROKE 300MM	1
2	GA3500700	HYDRAULIC ADAPTOR, ELBOW, 90 DEGREE, 9/16" JIC MALE X 3/4" UN MALE O-RING	1
3	GA3500147	HYDRAULIC ADAPTOR, NIPPLE, 9/16" JIC MALE X 3/4" UN MALE O-RING	1

Cylinder - Centre Leveling



ITEM NO.	PART NUMBER	DESCRIPTION	QTY.
-	GA3501580	SEAL KIT, HYDRAULIC CYLINDER, GA3500477, "BICELLI GECO" BRAND ONLY, 6325.SK	-
1	GA3500477	HYDRAULIC CYLINDER, CENTRE LEVEL	1
2	GA3500716	HYDRAULIC ADAPTOR, ELBOW, 90 DEGREE, 9/16" JIC MALE X 9/16" UN MALE O-RING	2
3	GA3500789	HYDRAULIC ADAPTER, TEE, 9/16" JIC MALE X 9/16" JIC MALE X 9/16" JIC FEMALE SWIVEL	1
4	GA3500147	HYDRAULIC ADAPTOR, NIPPLE, 9/16" JIC MALE X 3/4" UN MALE O-RING	1
5	GA5000941	BOLT M16 X 60 GR8.8 ZP	4
6	GA5001043	WASHER 16MM FLAT SS HD	8
7	GA5001029	NUT M16 NYLOC ZP	4

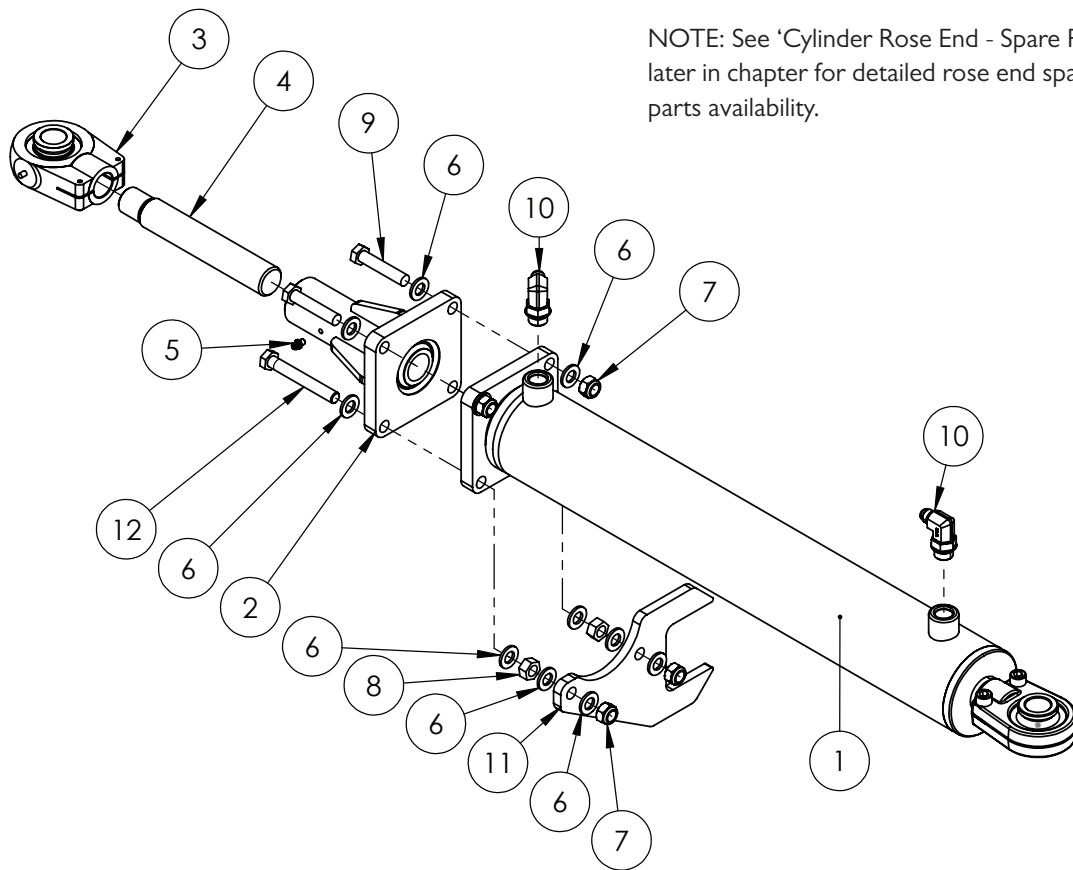
Cylinder - Bi-Fold 36-42m



ITEM NO.	PART NUMBER	DESCRIPTION	QTY.
A	GA3501077	SEAL KIT, HYDRAULIC CYLINDER, BI-FOLD CUSHION, GA3500681	1
1	GA3501081	BEARING, SPHERICAL, HYDRAULIC CYLINDER, GA3500681	1
2	GA3501078	CLEVIS, SCREW ON 1 1/2" UNF, HYDRAULIC CYLINDER, GA3500681	1
3	GA3501079	LOCK NUT, 1 1/2" UNF, HYDRAULIC CYLINDER, GA3500681	1
4	GA3501080	NEEDLE VALVE, HYDRAULIC CYLINDER CUSHION CONTROL, GA3500681	1
5	GA5025991	BUSH, 40X35X25, SUIT, HYDRAULIC CYLINDER, "MOTUS", GA3500681	2

Quantities shown are per side.

Cylinder - First Fold 36m (Up to S/N 203792)

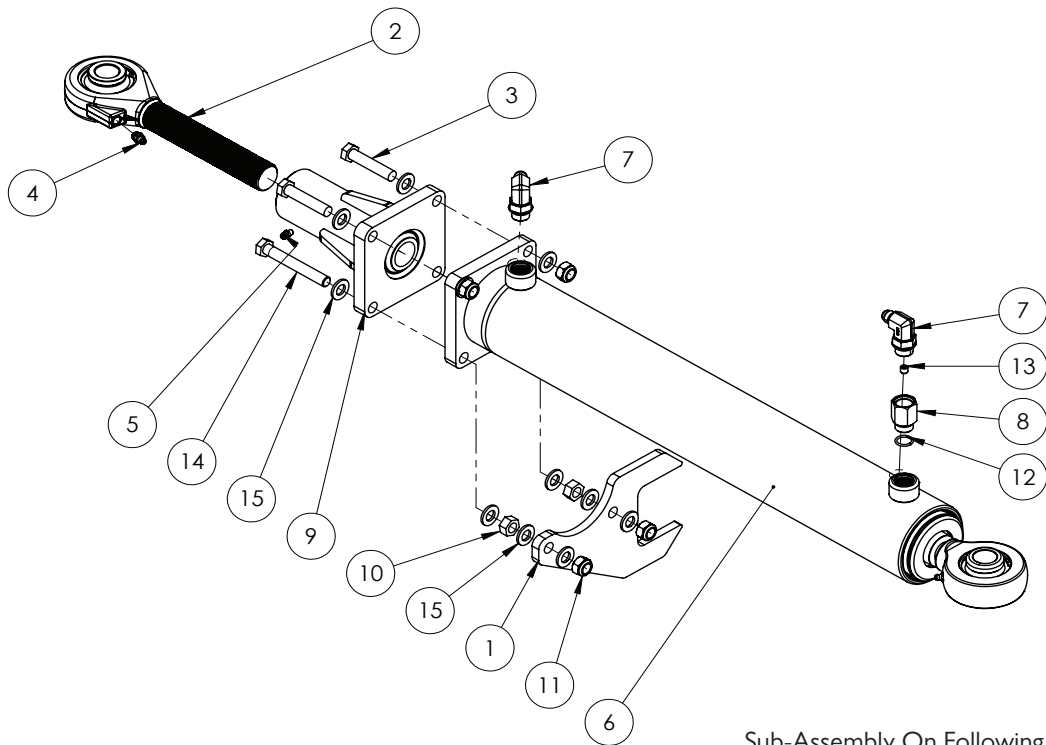


NOTE: See 'Cylinder Rose End - Spare Parts' later in chapter for detailed rose end spare parts availability.

Sub-Assembly On Following Pages

ITEM NO.	PART NUMBER	DESCRIPTION	QTY.
-	GA3500672	SEAL KIT, HYDRAULIC CYLINDER, SUIT GA3500655, EUREKA ENGINEERED PRODUCTS	-
1	GA3500655	HYDRAULIC CYLINDER, DOUBLE ACTING, 3.25" BORE, 1.5" ROD, FLANGE BASE MOUNT, 1" ROSE END	1
2	GA4601820	MOUNT, FOLD CYLINDER BASE, 24-36M TRITECH	1
3	GA5052965	BEARING, ROSE END HOUSING, M28 SCREW ON, SUIT HYDRAULIC CYLINDER & DELTA LINK, INC. BUSHES	1
4	GA4550645	THREADED BOOM PIVOT ADJUSTER, 1 1/4" UNF AND M28 THREADS	1
5	GA5050450	GREASE NIPPLE 6 MM	1
6	GA5000577	WASHER 12MM FLAT SS HD	12
7	GA5012461	NUT M12 NYLOC ZP	4
8	GA5000559	NUT M12 HEX ZP	2
9	GA5000335	BOLT M12 X 60 GR8.8 ZP	2
10	GA3500700	HYDRAULIC ADAPTOR ELBOW, 3/4" UNO TO 9/16" JIC, 90 DEG	2
11	GA5073235	ANTI ROTATION BRACKET, HYDRAULIC FOLD CYLINDER, 48M BOOM	1
12	GA0500081	SET SCREW, M12 X 90MM, GR8.8, ZP	2

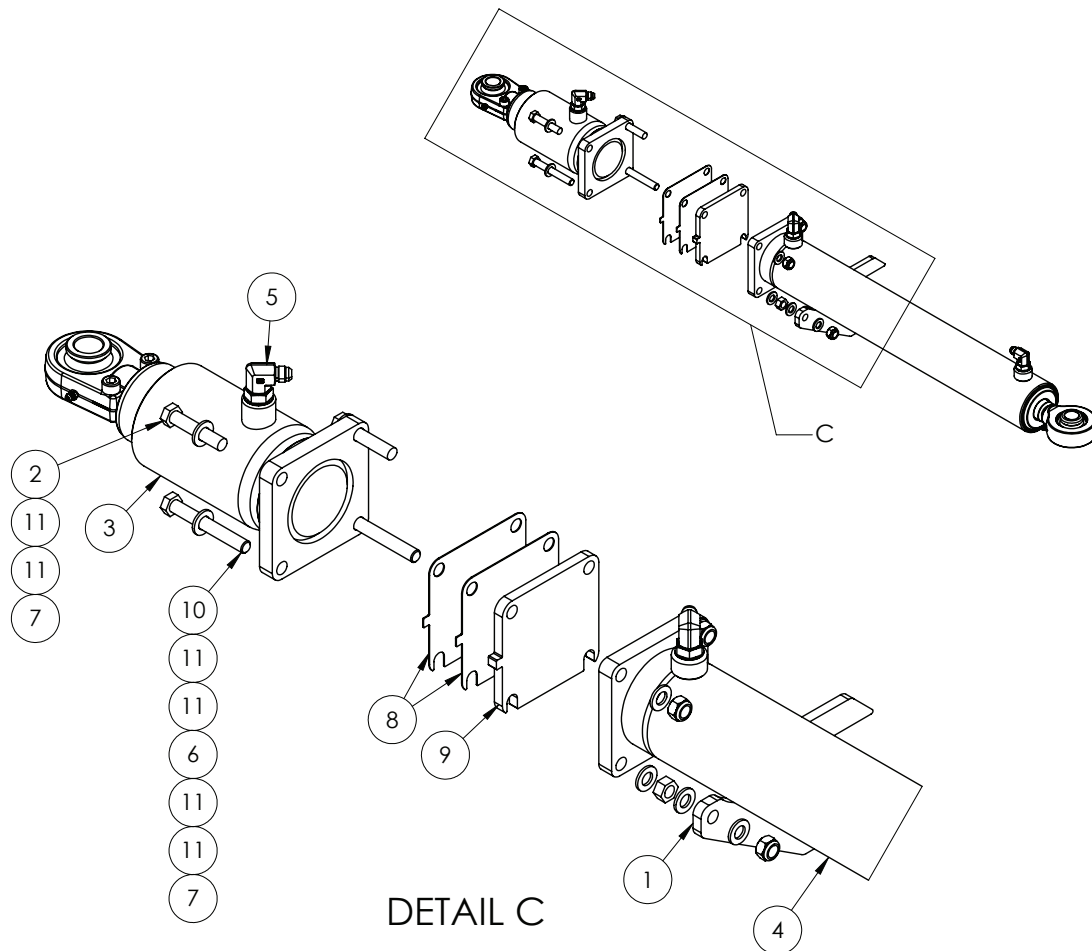
Cylinder - First Fold 36m - 42m (From S/N 203792)



Sub-Assembly On Following Pages

ITEM NO.	PART NUMBER	DESCRIPTION	QTY.
-	GA3500672	SEAL KIT, HYDRAULIC CYLINDER, SUIT GA3500655, EUREKA ENGINEERED PRODUCTS	-
-	GA5025907	SEAL KIT, SUIT, HYDRAULIC CYLINDER, "MOTUS" BRAND ONLY, GA3500655-REV04-06	-
1	GA5073235	ANTI ROTATION BRACKET, HYDRAULIC FOLD CYLINDER, 48M BOOM	1
2	GA5078654	BEARING END, ASSEMBLY, FORGED, 1/4-12 UNF THREAD, C/W GEH 35 ES-2RS BEARING, BUSHED DIA. 25.5	1
3	GA5000335	BOLT M12 X 60 GR8.8 ZP	2
4	GA5069980	GREASE NIPPLE, 1/8 BSPP, STRAIGHT	1
5	GA5050450	GREASE NIPPLE, 6MM	2
6	GA3500655	HYDRAULIC CYLINDER, DOUBLE ACTING, 3.25" BORE, 1.5" ROD, FLANGE BASE MOUNT, 1" ROSE END	1
7	GA3500700	HYDRAULIC ADAPTOR, ELBOW, 90 DEGREE, 9/16" JIC MALE X 3/4" UN MALE O-RING, S91-0912	2
8	GA4551930	MACHINED HYDRAULIC FITTING, 3/4" UN O-RING MALE X 3/4" UN O-RING FEMALE, SUIT INTERNAL ORIFICE PLUG	1
9	GA4601820	MOUNT, FOLD CYLINDER BASE, 24-36M TRITECH, MY19	1
10	GA5000559	NUT M12 HEX ZP	2
11	GA5012461	NUT M12 NYLOC ZP	4
12	GA5078123	O-RING UNO 3/4", ROD-UN12	1
13	GA3500851	PLUG, ORIFICE, 1/16" NPT X 1.0MM	1
14	GA0500081	SET SCREW, M12 X 90MM, GR8.8, ZP	2
15	GA5000577	WASHER 12MM FLAT SS HD	12

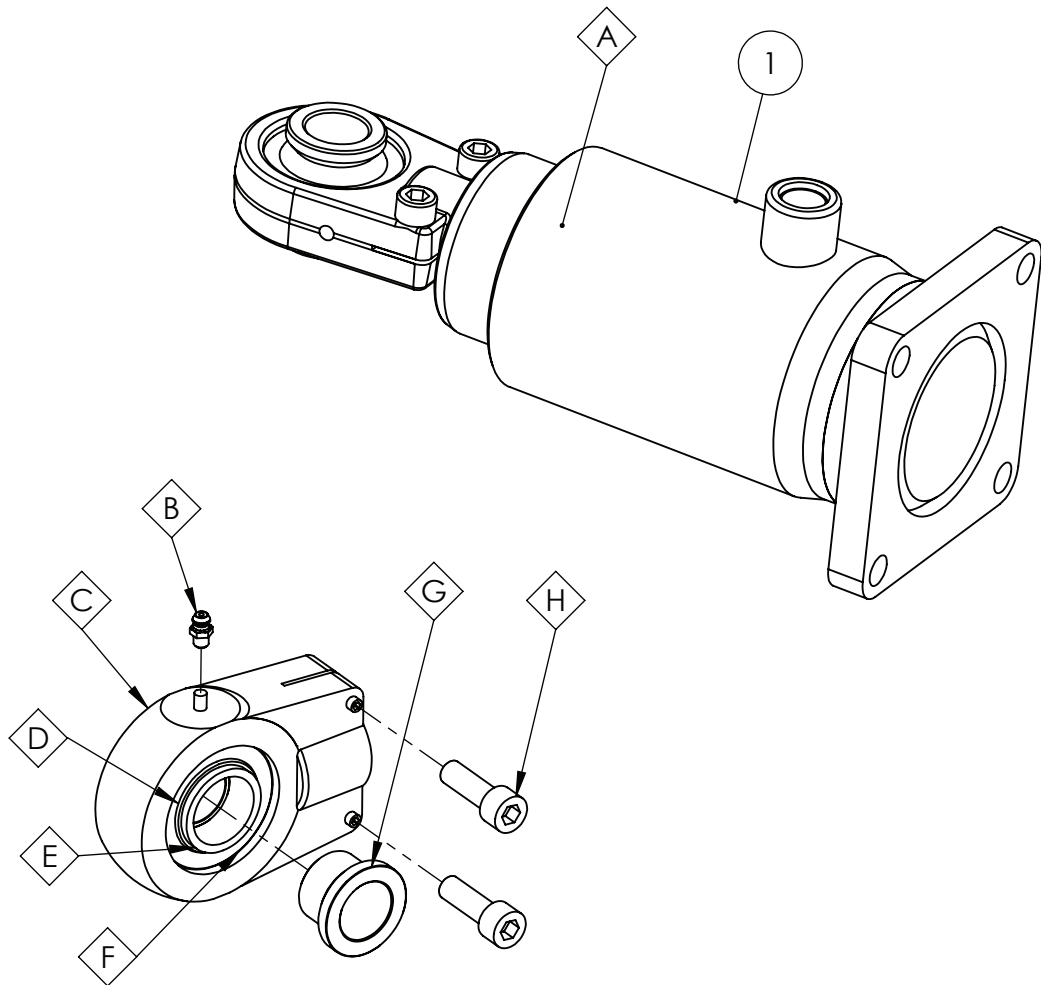
Cylinder - First Fold 48m



See Sub-Assembly On Following
Pages For Replacement Parts

ITEM NO.	PART NUMBER	DESCRIPTION	QTY.
1	GA5073235	ANTI ROTATION BRACKET, HYDRAULIC FOLD CYLINDER, 48m BOOM	1
2	GA5000335	BOLT M12 X 60 GR8.8 ZP	2
3	GA3500656	HYDRAULIC CYLINDER, DISPLACMENT (CUSHION), 3.25" BORE, 3" ROD, FLANGE BASE MOUNT, 1" ROSE END	1
4	GA3500655	HYDRAULIC CYLINDER, DOUBLE ACTING, 3.25" BORE, 1.25" ROD, FLANGE BASE MOUNT, 1" ROSE END	1
5	GA3500700	HYDRAULIC ADAPTOR, ELBOW, 90 DEGREE, 9/16" JIC MALE X 3/4" UN MALE O-RING, S91-0912	3
6	GA5000559	NUT M12 HEX ZP	2
7	GA5012461	NUT M12 NYLOC ZP	4
8	GA4500975	PLATE, SHIM, FOLD CYLINDER, 48M BOOM	2
9	GA4500976	PLATE, SHIM, 10mm, FOLD CYLINDER, 48M BOOM	1
10	GA0500081	SET SCREW M12 X 90 GR8.8, ZP	2
11	GA5000577	WASHER 12mm FLAT SS HD	12

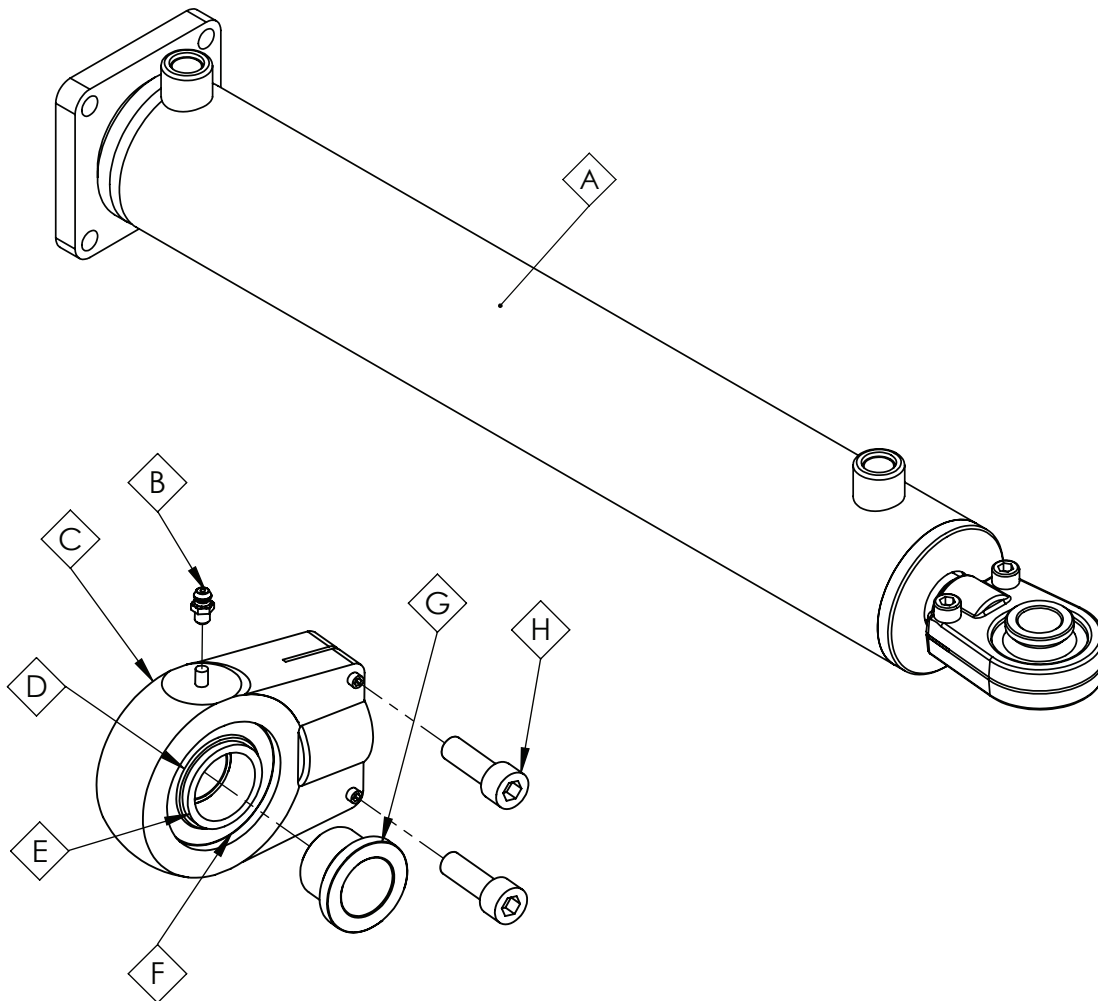
Cylinder - First Fold 48m



Quantities shown are per side.

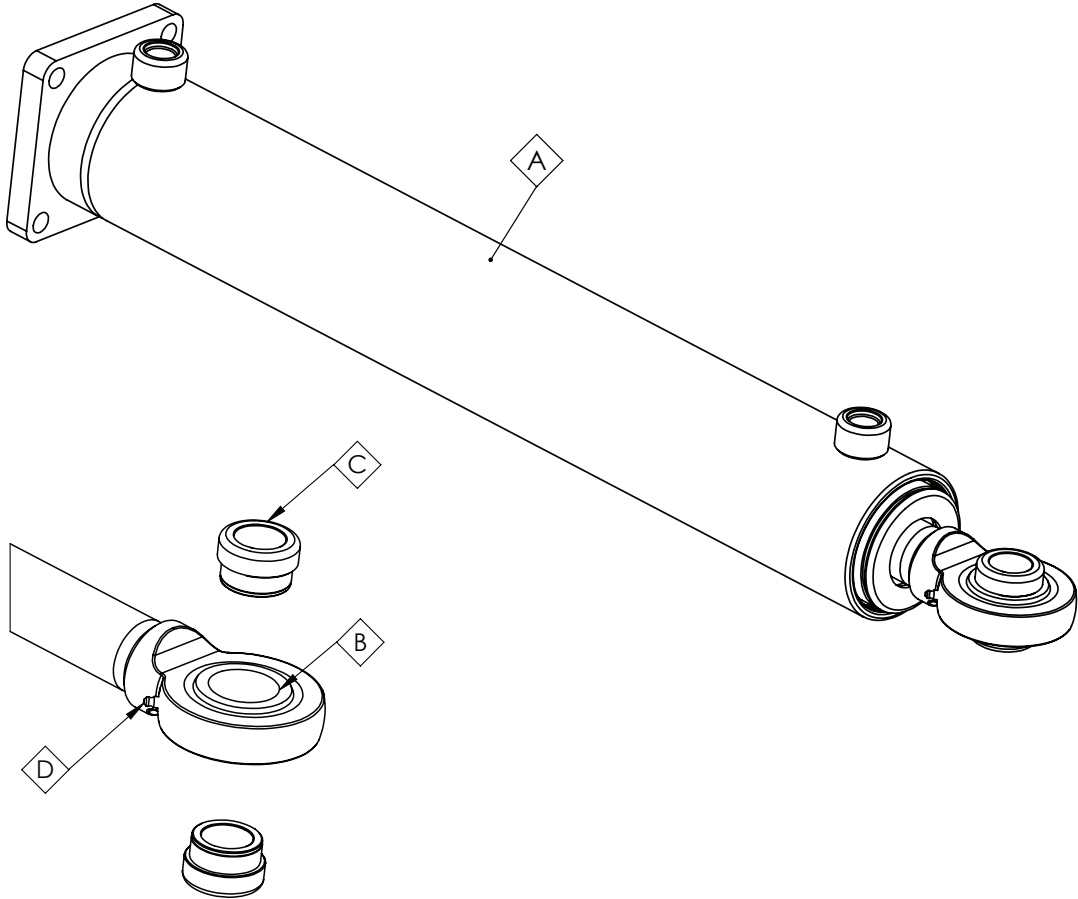
HITEM NO.	PART NUMBER	DESCRIPTION	QTY.
A	GA3500673	SEAL KIT, HYDRAULIC CYLINDER, SUIT GA3500656, EUREKA ENGINEERED PRODUCTS	-
B	GA5050450	GREASE NIPPLE, 6MM	1
C	GA5052965	BEARING, ROSE END HOUSING, M28 SCREW ON, SUIT HYDRAULIC CYLINDER & DELTA LINK, INC. BUSHES	-
D	GA5052966	SALES KIT, BEARING KIT, SUIT SCREW ON ROSE END, CYLINDERS AND DELTA LINKS	-
E	GA5067605	BEARING, RADIAL SPHERICAL PLAIN, 30MM ID X 55MM OD X 32MM THICK, GEG 30 ES 2RS	-
F	GA5067610	CIRCLIP, SUIT BEARING SCREW ON ROSE END, RTW 55	-
G	GA5021925	SMALL BEARING BUSH, SUIT SCREW ON ROSE END, HYPOWER, R-10424	-
H	GA5006131	SHCS M10 X 30 SS A2-70	-
I	GA3500656	HYDRAULIC CYLINDER, DISPLACEMENT (CUSHION), 3.25" BORE, 3" ROD, FLANGE BASE MOUNT, 1" ROSE END	1

Cylinder - First Fold 48m (Old)



HITEM NO.	PART NUMBER	DESCRIPTION	QTY.
-	GA3500655	HYDRAULIC CYLINDER, DOUBLE ACTING, 3.25" BORE, 1.5" ROD, FLANGE BASE MOUNT, 1" ROSE END	-
A	GA3500672	SEAL KIT, HYDRAULIC CYLINDER, SUIT GA3500655, EUREKA ENGINEERED PRODUCTS	-
B	GA5050450	GREASE NIPPLE, 6MM	1
C	GA5052965	BEARING, ROSE END HOUSING, M28 SCREW ON, SUIT HYDRAULIC CYLINDER & DELTA LINK, INC. BUSHES	-
D	GA5052966	SALES KIT, BEARING KIT, SUIT SCREW ON ROSE END, CYLINDERS AND DELTA LINKS	-
E	GA5067605	BEARING, RADIAL SPHERICAL PLAIN, 30MM ID X 55MM OD X 32MM THICK, GEG 30 ES 2RS	-
F	GA5067610	CIRCLIP, SUIT BEARING SCREW ON ROSE END, RTW 55	-
G	GA5021925	SMALL BEARING BUSH, SUIT SCREW ON ROSE END, HYPOWER, R-10424	-
H	GA5006131	SHCS M10 X 30 SS A2-70	-

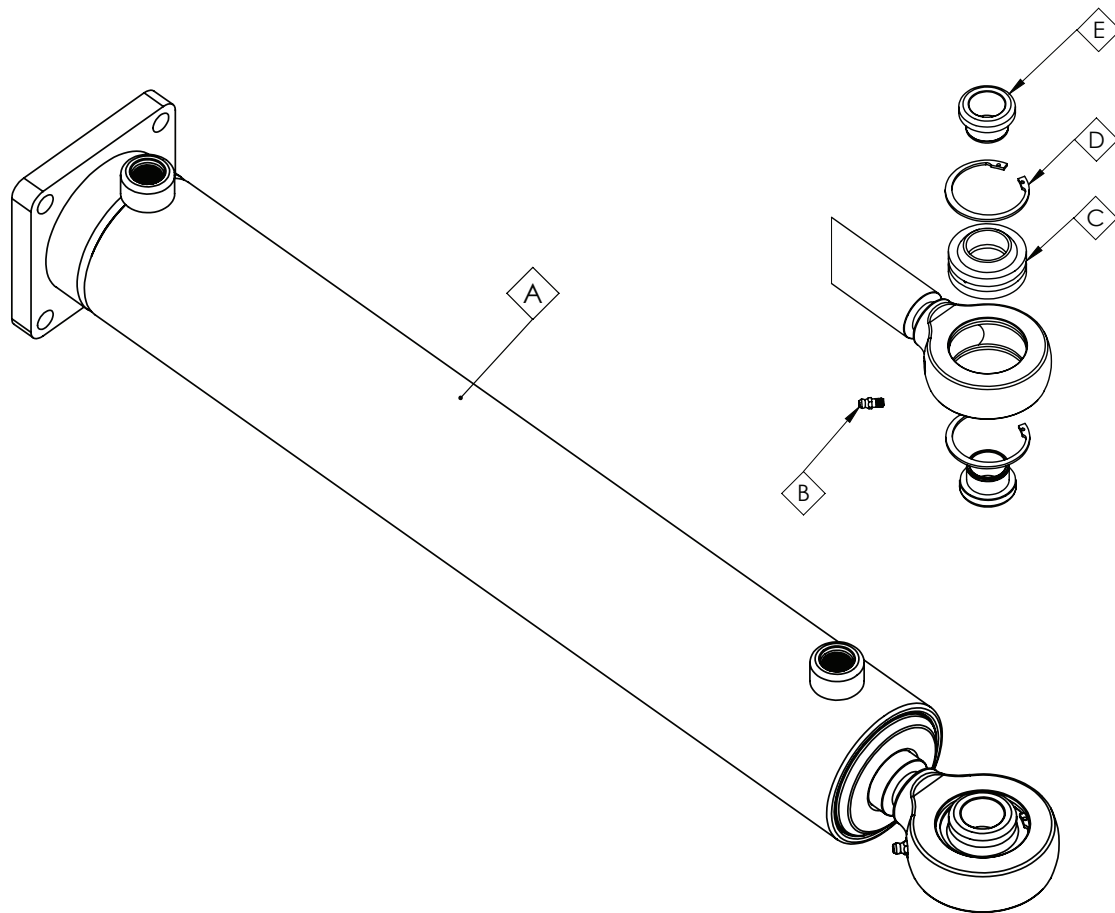
Cylinder - First Fold 48m (REV-05)



ITEM **B** IS A PRESSED BEARING

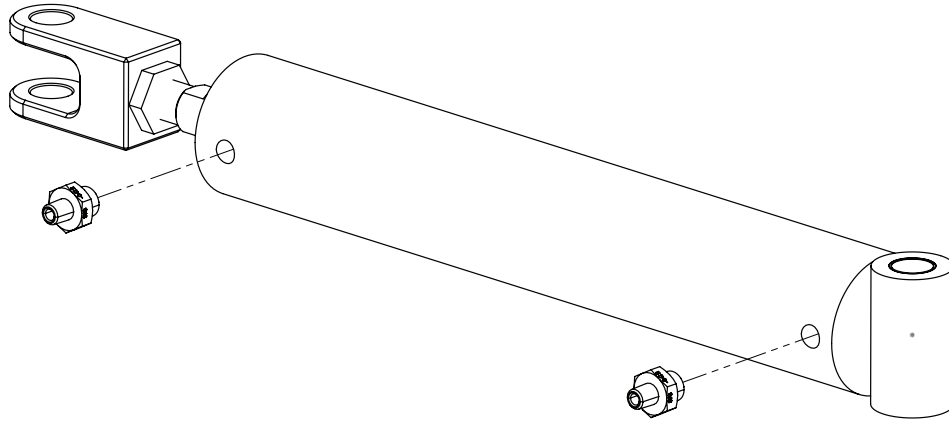
ITEM NO.	PART NUMBER	DESCRIPTION	QTY.
-	GA3500655	HYDRAULIC CYLINDER, DOUBLE ACTING, 3.25" BORE, 1.5" ROD, FLANGE BASE MOUNT, 1" ROSE END	-
A	GA5025907	SEAL KIT, SUIT, HYDRAULIC CYLINDER, "MOTUS" BRAND ONLY, GA3500655	-
B	GA5025896	BEARING SPHERICAL, GE25ES-2RS, SUIT, ROSE END, SK35ES-60006461	1
C	GA5025991	BUSH, 40X35X25, SUIT, HYDRAULIC CYLINDER, "MOTUS", GA3500681	2
D	GA5050450	GREASE NIPPLE, 6mm	1

Cylinder - First Fold 48m (REV-06)



ITEM NO.	PART NUMBER	DESCRIPTION	QTY.
-	GA3500655	HYDRAULIC CYLINDER, DOUBLE ACTING, 3.25" BORE, 1.5" ROD, FLANGE BASE MOUNT, 1" ROSE END	-
A	GA5025907	SEAL KIT, SUIT, HYDRAULIC CYLINDER, "MOTUS" BRAND ONLY, GA3500655	-
B	GA5050450	GREASE NIPPLE, 6mm	1
C	GA5067605	BEARING, RADIAL SPHERICAL PLAIN, 30mm ID X 55mm OD X 32mm THICK, GEG 30 ES 2RS	1
D	GA5067610	CIRCLIP, SUIT BEARING SCREW ON ROSE END, RTW 55	2
E	GA5026034	BUSH, ROSE END, 30OD X 25ID	2

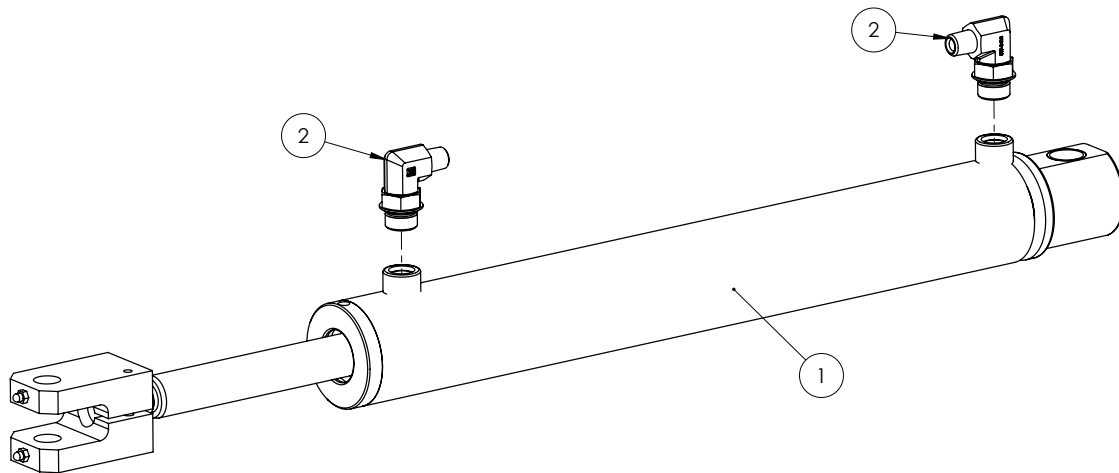
Cylinder - Second Stage Fold 48m



Quantities shown are per side.

ITEM NO.	PART NUMBER	DESCRIPTION	QTY.
-	GA5052733	SEAL KIT, SUIT 2 1/2" BORE X 1 1/4" ROD, SUIT GA5070845, GA3500060, HYPOWER BRAND ONLY	-
-	GA3501759	SEAL KIT, SK250125, 2 1/2" X 1 1/4", SUIT, GA3500060, "MOTUS" BRAND ONLY	-
1	GA3500060	HYDRAULIC CYLINDER, BORE 2.5", ROD 1.25", STROKE 400 MM	1
2	GA3500359	HYDRAULIC ADAPTOR, NIPPLE, 1/4" BSPT MALE X 3/4" UN MALE O-RING	2

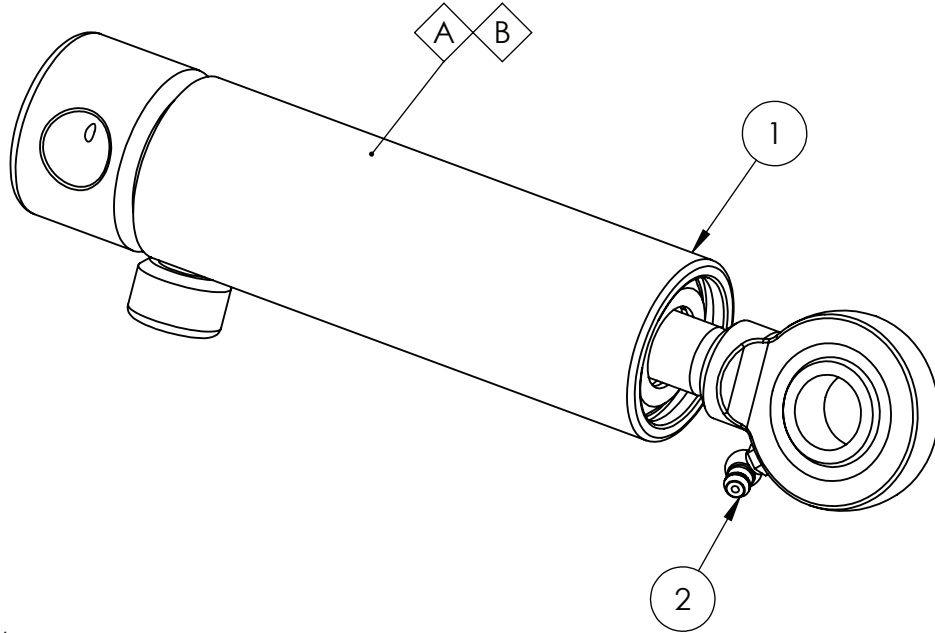
Cylinder - Third Stage Fold 48m



Quantities shown are per side.

ITEM NO.	PART NUMBER	DESCRIPTION	QTY.
-	GA3500684	SEAL KIT, HYDRAULIC CYLINDER, SUIT GA3500476, EUREKA ENGINEERED BRAND ONLY	-
-	GA3501584	SEAL KIT, SUIT, HYDRAULIC CYLINDER, GA3501082, "MOTUS" BRAND	-
1	GA3500476	HYDRAULIC CYLINDER, BORE 2", ROD 1", STROKE 395MM, EUREKA ENGINEERING BRAND	1
-	GA3501082	HYDRAULIC CYLINDER, 2.5" X 1.25" X 395MM STROKE, 3RD STAGE FOLD, 48M, FROM	-
2	GA3500348	HYDRAULIC ADAPTOR, ELBOW, 90 DEGREE, 1/4" BSPT MALE X 3/4" UN MALE O-RING	2

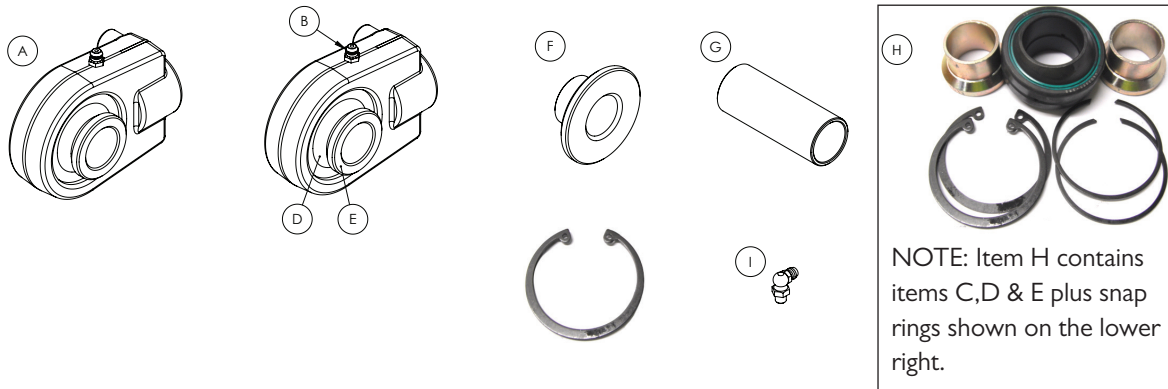
Cylinder - Boom Catch



WARNING!
 HEAD UNDER SPRING FORCE
 TAKE CARE ON ASSEMBLY AND DISASSEMBLY

ITEM NO.	PART NUMBER	DESCRIPTION	QTY.
A	GA3500671	SEAL KIT, HYDRAULIC CYLINDER, SUIT GA3500480, EUREKA ENGINEERED PRODUCTS	-
B	GA3501802	SEAL KIT, SUIT, HYDRAULIC CYLINER, "MOTUS" BRAND ONLY, GA3500480	-
1	GA3500480	HYDRAULIC CYLINDER, BORE 1.5", ROD 0.75", STROKE 28MM, DISPLACEMENT, SPRING RETURN	1
2	GA5051970	GREASE NIPPLE 6MM 90 DEG	1

Cylinder Rose End - Spare Parts



ITEM NO.	PART NUMBER	DESCRIPTION	QTY.
A	GA5052965	COMPLETE ROSE END, M28 SCREW ON, SUIT HYDRAULIC CYLINDER & DELTA LINK, INCLUDING BUSHES (ITEM E)	1
B	GA5012203	GREASE NIPPLE, SHORT, 1/4" UNF	1
C	GA5067610	CIRCLIP, SUIT BEARING SCREW ON ROSE END, RTW 55	2
D	GA5067605	BEARING, SUIT SCREW ON ROSE END, GEG 30 ES 2RS	1
E	GA5021925	SMALL BEARING BUSH, SUIT SCREW ON ROSE END, HYPOWER, R-10424	2
F	GA5021930	LARGE BEARING BUSH, SUIT SCREW ON ROSE END, HYPOWER, R-10429	2
G	GA4572535	BUSH, ROSE END PIVOT WIDE SUIT TILT RAM	1
H	GA5052966	BEARING KIT, SUIT SCREW ON ROSE END, CYLINDERS AND DELTA LINKS	1
I	GA5009637	GREASE NIPPLE, ELBOW, 90 DEGREE, 1/4" UNF MALE	1

NOTE: Quantities shown represent the number of parts needed per rose end and depend on your configuration e.g. the rose end will have either 2x Item E or 2x Item F but not both.